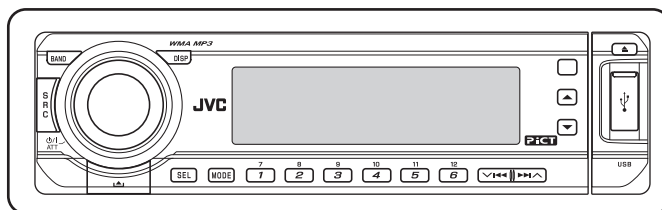
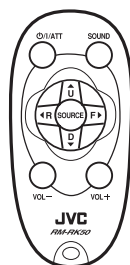
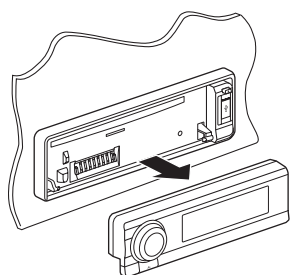


# JVC

## SERVICE MANUAL

### CD RECEIVER

**KD-AR870J, KD-G820J, KD-G821E,  
KD-G821EX, KD-G821EY, KD-G821EU,  
KD-G824UI, KD-G825U, KD-G825UN,  
KD-G825UH, KD-G825UT, KD-G827EE**



**MP3 WMA**

**PICT**

**SAT  
RADIO  
READY**



**COMPACT  
disc  
DIGITAL AUDIO  
TEXT**



Lead free solder used in the board (material : Sn-Ag-Cu, melting point : 219 Centigrade)

### TABLE OF CONTENTS

1	PRECAUTIONS .....	1-7
2	SPECIFIC SERVICE INSTRUCTIONS .....	1-10
3	DISASSEMBLY .....	1-11
4	ADJUSTMENT .....	1-15
5	TROUBLESHOOTING .....	1-16

# SPECIFICATION

## KD-AR870/KD-G820

<b>AUDIO AMPLIFIER SECTION</b>		
Power Output		20 W RMS × 4 Channels at 4 Ω and [ $\leq$ ] 1% THD+N
Signal to Noise Ratio		80 dBA (reference: 1 W into 4 Ω)
Load Impedance		4 Ω (4 Ω to 8 Ω allowance)
Tone Control Range	Low	±12 dB (60 Hz, 80 Hz, 100 Hz, 200 Hz)
	Mid	±12 dB (500 Hz, 1 kHz, 1.5 kHz, 2.5 kHz)
	High	±12 dB (10 kHz, 12.5 kHz, 15 kHz, 17.5 kHz)
Frequency Response		40 Hz to 20 000 Hz
Line-In Level/Impedance	KD-AR870	1.5V/20kΩ load
Line-Out Level/Impedance	KD-AR870	5.0 V/20 kΩ load (full scale)
	KD-G820	4.0 V/20 kΩ load (full scale)
Output Impedance		1 kΩ
Subwoofer-Out Level/Impedance		2.0 V/20 kΩ load (full scale)
Other Terminals		CD changer, LINE IN (for KD-AR870)
<b>TUNER SECTION</b>		
Frequency Range	FM	87.5 MHz to 107.9 MHz (with channel interval set to 100 kHz or 200 kHz) 87.5 MHz to 108.0 MHz (with channel interval set to 50 kHz)
	AM	530 kHz to 1 710 kHz (with channel interval set to 10 kHz) 531 kHz to 1 602 kHz (with channel interval set to 9 kHz)
FM Tuner	Usable Sensitivity	11.3 dBf (1.0 μV/75 Ω)
	50 dB Quieting Sensitivity	16.3 dBf (1.8 μV/75 Ω)
	Alternate Channel Selectivity (400 kHz)	65 dB
	Frequency Response	40 Hz to 15 000 Hz
	Stereo Separation	35 dB
AM Tuner	Sensitivity	20 μV
	Selectivity	35 dB
<b>CD PLAYER/USB MEMORY SECTION</b>		
Type		Compact disc player
Signal Detection System		Non-contact optical pickup (semiconductor laser)
Number of Channels		2 channels (stereo)
Frequency Response		5 Hz to 20 000 Hz
Dynamic Range		96 dB
Signal-to-Noise Ratio		98 dB
Wow and Flutter		Less than measurable limit
MP3 Decoding Format		MPEG1/2 Audio Layer 3 Max. Bit Rate : 320 kbps
WMA (Windows Media® Audio) Decoding		Max. Bit Rate : 192 kbps
Playable USB memory	Format	FAT 12/16/32
	Storage	Less than 4 GB (1 partition type)
	Playable Audio Format	MP3/WMA
	Max. Current	Less than 500 mA
<b>GENERAL</b>		
Power Requirement	Operating Voltage	DC 14.4 V (11 V to 16 V allowance)
Grounding System		Negative ground
Allowable Operating Temperature		0°C to +40°C (32°F to 104°F)
Dimensions (W × H × D)	Installation Size (approx.)	182 mm × 52 mm × 152 mm (7-3/16" × 2-1/16" × 6")
	Panel Size (approx.)	188 mm × 58 mm × 11 mm (7-7/16" × 2-5/16" × 7/16")
Mass (approx.)		1.4 kg (3.1 lbs) (excluding accessories)

**KD-G821**

<b>AUDIO AMPLIFIER SECTION</b>		
Maximum Power Output	Front	50 W per channel
	Rear	50 W per channel
Continuous Power Output (RMS)	Front	19 W per channel into 4 $\Omega$ , 40 Hz to 20 000 Hz at no more than 0.8% total harmonic distortion.
	Rear	19 W per channel into 4 $\Omega$ , 40 Hz to 20 000 Hz at no more than 0.8% total harmonic distortion.
Load Impedance		4 $\Omega$ (4 $\Omega$ to 8 $\Omega$ allowance)
Tone Control Range	Low	$\pm 12$ dB (60 Hz, 80 Hz, 100 Hz, 200 Hz)
	Mid	$\pm 12$ dB (500 Hz, 1 kHz, 1.5 kHz, 2.5 kHz)
	High	$\pm 12$ dB (10 kHz, 12.5 kHz, 15 kHz, 17.5 kHz)
Frequency Response		40 Hz to 20 000 Hz
Signal-to-Noise Ratio		70 dB
Line-Out Level/Impedance		5.0 V/20 k $\Omega$ load (full scale)
Output Impedance		1 k $\Omega$
Subwoofer-Out Level/Impedance		2.0 V/20 k $\Omega$ load (full scale)
Other Terminals		CD changer, Steering wheel remote input
<b>TUNER SECTION</b>		
Frequency Range	FM	87.5 MHz to 108.0 MHz
	AM	(MW) 522 kHz to 1 620 kHz (LW) 144 kHz to 279 kHz
FM Tuner	Usable Sensitivity	11.3 dBf (1.0 $\mu$ V/75 $\Omega$ )
	50 dB Quieting Sensitivity	16.3 dBf (1.8 $\mu$ V/75 $\Omega$ )
	Alternate Channel Selectivity (400 kHz)	65 dB
	Frequency Response	40 Hz to 15 000 Hz
	Stereo Separation	30 dB
MW Tuner	Sensitivity	20 $\mu$ V
	Selectivity	35 dB
LW Tuner	Sensitivity	50 $\mu$ V
<b>CD PLAYER/USB MEMORY SECTION</b>		
Type		Compact disc player
Signal Detection System		Non-contact optical pickup (semiconductor laser)
Number of Channels		2 channels (stereo)
Frequency Response		5 Hz to 20 000 Hz
Dynamic Range		96 dB
Signal-to-Noise Ratio		98 dB
Wow and Flutter		Less than measurable limit
MP3 Decoding Format		MPEG1/2 Audio Layer 3 Max. Bit Rate : 320 kbps
WMA (Windows Media® Audio) Decoding Format		Max. Bit Rate : 192 kbps
Playable USB memory	Format	FAT 12/16/32
	Storage	Less than 4 GB (1 partition type)
	Playable Audio Format	MP3/WMA
	Max. Current	Less than 500 mA
<b>GENERAL</b>		
Power Requirement	Operating Voltage	DC 14.4 V (11 V to 16 V allowance)
Grounding System		Negative ground
Allowable Operating Temperature		0°C to +40°C
Dimensions (W $\times$ H $\times$ D)	Installation Size (approx.)	182 mm $\times$ 52 mm $\times$ 152 mm
	Panel Size (approx.)	188 mm $\times$ 58 mm $\times$ 11 mm
Mass (approx.)		1.4 kg (excluding accessories)

**KD-G824**

<b>AUDIO AMPLIFIER SECTION</b>		
Maximum Power Output	Front	50 W per channel
	Rear	50 W per channel
Continuous Power Output (RMS)	Front	19 W per channel into 4 $\Omega$ , 40 Hz to 20 000 Hz at no more than 0.8% total harmonic distortion.
	Rear	19 W per channel into 4 $\Omega$ , 40 Hz to 20 000 Hz at no more than 0.8% total harmonic distortion.
Load Impedance	4 $\Omega$ (4 $\Omega$ to 8 $\Omega$ allowance)	
Tone Control Range	Low	$\pm 12$ dB (60 Hz, 80 Hz, 100 Hz, 200 Hz)
	Mid	$\pm 12$ dB (500 Hz, 1 kHz, 1.5 kHz, 2.5 kHz)
	High	$\pm 12$ dB (10 kHz, 12.5 kHz, 15 kHz, 17.5 kHz)
Frequency Response	40 Hz to 20 000 Hz	
Signal-to-Noise Ratio	70 dB	
Line-Out Level/Impedance	5.0 V/20 k $\Omega$ load (full scale)	
Output Impedance	1 k $\Omega$	
Subwoofer-Out Level/Impedance	2.0 V/20 k $\Omega$ load (full scale)	
Other Terminal	CD changer	
<b>TUNER SECTION</b>		
Frequency Range	FM	87.5 MHz to 108.0 MHz
	AM	531 kHz to 1 602 kHz
FM Tuner	Usable Sensitivity	11.3 dBf (1.0 $\mu$ V/75 $\Omega$ )
	50 dB Quieting Sensitivity	16.3 dBf (1.8 $\mu$ V/75 $\Omega$ )
	Alternate Channel Selectivity (400 kHz)	65 dB
	Frequency Response	40 Hz to 15 000 Hz
	Stereo Separation	30 dB
AM Tuner	Sensitivity	20 $\mu$ V
	Selectivity	35 dB
<b>CD PLAYER/USB MEMORY SECTION</b>		
Type	Compact disc player	
Signal Detection System	Non-contact optical pickup (semiconductor laser)	
Number of Channels	2 channels (stereo)	
Frequency Response	5 Hz to 20 000 Hz	
Dynamic Range	96 dB	
Signal-to-Noise Ratio	98 dB	
Wow and Flutter	Less than measurable limit	
MP3 Decoding Format	MPEG1/2 Audio Layer 3 Max. Bit Rate : 320 kbps	
WMA (Windows Media® Audio) Decoding	Max. Bit Rate : 192 kbps	
Playable USB memory	Format	FAT 12/16/32
	Storage	Less than 4 GB (1 partition type)
	Playable Audio Format	MP3/WMA
	Max. Current	Less than 500 mA
<b>GENERAL</b>		
Power Requirement	Operating Voltage	DC 14.4 V (11 V to 16 V allowance)
Grounding System	Negative ground	
Allowable Operating Temperature	0°C to +40°C	
Dimensions (W $\times$ H $\times$ D)	Installation Size (approx.)	182 mm $\times$ 52 mm $\times$ 152 mm
	Panel Size (approx.)	188 mm $\times$ 58 mm $\times$ 11 mm
Mass (approx.)	1.4 kg (excluding accessories)	

**KD-G825**

<b>AUDIO AMPLIFIER SECTION</b>		
Maximum Power Output	Front	50 W per channel
	Rear	50 W per channel
Continuous Power Output (RMS)	Front	19 W per channel into 4 $\Omega$ , 40 Hz to 20 000 Hz at no more than 0.8% total harmonic distortion.
	Rear	19 W per channel into 4 $\Omega$ , 40 Hz to 20 000 Hz at no more than 0.8% total harmonic distortion.
Load Impedance		4 $\Omega$ (4 $\Omega$ to 8 $\Omega$ allowance)
Tone Control Range	Low	$\pm 12$ dB (60 Hz, 80 Hz, 100 Hz, 200 Hz)
	Mid	$\pm 12$ dB (500 Hz, 1 kHz, 1.5 kHz, 2.5 kHz)
	High	$\pm 12$ dB (10 kHz, 12.5 kHz, 15 kHz, 17.5 kHz)
Frequency Response		40 Hz to 20 000 Hz
Signal-to-Noise Ratio		70 dB
Line-Out Level/Impedance		5.0 V/20 k $\Omega$ load (full scale)
Output Impedance		1 k $\Omega$
Subwoofer-Out Level/Impedance		2.0 V/20 k $\Omega$ load (full scale)
Other Terminal		CD changer
<b>TUNER SECTION</b>		
Frequency Range	FM	87.5 MHz to 108.0 MHz
	AM	531 kHz to 1 602 kHz
FM Tuner	Usable Sensitivity	11.3 dBf (1.0 $\mu$ V/75 $\Omega$ )
	50 dB Quieting Sensitivity	16.3 dBf (1.8 $\mu$ V/75 $\Omega$ )
	Alternate Channel Selectivity (400 kHz)	65 dB
	Frequency Response	40 Hz to 15 000 Hz
	Stereo Separation	30 dB
AM Tuner	Sensitivity	20 $\mu$ V
	Selectivity	35 dB
<b>CD PLAYER/USB MEMORY SECTION</b>		
Type		Compact disc player
Signal Detection System		Non-contact optical pickup (semiconductor laser)
Number of Channels		2 channels (stereo)
Frequency Response		5 Hz to 20 000 Hz
Dynamic Range		96 dB
Signal-to-Noise Ratio		98 dB
Wow and Flutter		Less than measurable limit
MP3 Decoding Format		MPEG1/2 Audio Layer 3 Max. Bit Rate : 320 kbps
WMA (Windows Media® Audio) Decoding		Max. Bit Rate : 192 kbps
Playable USB memory	Format	FAT 12/16/32
	Storage	Less than 4 GB (1 partition type)
	Playable Audio Format	MP3/WMA
	Max. Current	Less than 500 mA
<b>GENERAL</b>		
Power Requirement	Operating Voltage	DC 14.4 V (11 V to 16 V allowance)
Grounding System		Negative ground
Allowable Operating Temperature		0°C to +40°C
Dimensions (W $\times$ H $\times$ D)	Installation Size (approx.)	182 mm $\times$ 52 mm $\times$ 152 mm
	Panel Size (approx.)	188 mm $\times$ 58 mm $\times$ 11 mm
Mass (approx.)		1.4 kg (excluding accessories)


**KD-G827**


<b>AUDIO AMPLIFIER SECTION</b>		
Maximum Power Output	Front	50 W per channel
	Rear	50 W per channel
Continuous Power Output (RMS)	Front	19 W per channel into 4 $\Omega$ , 40 Hz to 20 000 Hz at no more than 0.8% total harmonic distortion.
	Rear	19 W per channel into 4 $\Omega$ , 40 Hz to 20 000 Hz at no more than 0.8% total harmonic distortion.
Load Impedance		4 $\Omega$ (4 $\Omega$ to 8 $\Omega$ allowance)
Tone Control Range	Low	$\pm 12$ dB (60 Hz, 80 Hz, 100 Hz, 200 Hz)
	Mid	$\pm 12$ dB (500 Hz, 1 kHz, 1.5 kHz, 2.5 kHz)
	High	$\pm 12$ dB (10 kHz, 12.5 kHz, 15 kHz, 17.5 kHz)
Frequency Response		40 Hz to 20 000 Hz
Signal-to-Noise Ratio		70 dB
Line-Out Level/Impedance		5.0 V/20 k $\Omega$ load (full scale)
Output Impedance		1 k $\Omega$
Subwoofer-Out Level/Impedance		2.0 V/20 k $\Omega$ load (full scale)
Other Terminal		CD changer
<b>TUNER SECTION</b>		
Frequency Range	FM1/FM2	87.5 MHz to 108.0 MHz
	FM3	65.00 MHz to 74.00 MHz
	AM	(MW) 522 kHz to 1 620 kHz (LW) 144 kHz to 279 kHz
FM Tuner	Usable Sensitivity	11.3 dBf (1.0 $\mu$ V/75 $\Omega$ )
	50 dB Quietening Sensitivity	16.3 dBf (1.8 $\mu$ V/75 $\Omega$ )
	Alternate Channel Selectivity (400 kHz)	65 dB
	Frequency Response	40 Hz to 15 000 Hz
	Stereo Separation	30 dB
MW Tuner	Sensitivity	20 $\mu$ V
	Selectivity	35 dB
LW Tuner	Sensitivity	50 $\mu$ V
<b>CD PLAYER/USB MEMORY SECTION</b>		
Type		Compact disc player
Signal Detection System		Non-contact optical pickup (semiconductor laser)
Number of Channels		2 channels (stereo)
Frequency Response		5 Hz to 20 000 Hz
Dynamic Range		96 dB
Signal-to-Noise Ratio		98 dB
Wow and Flutter		Less than measurable limit
MP3 Decoding Format		MPEG1/2 Audio Layer 3 Max. Bit Rate : 320 kbps
WMA (Windows Media® Audio) Decoding Format		Max. Bit Rate : 192 kbps
Playable USB memory	Format	FAT 12/16/32
	Storage	Less than 4 GB (1 partition type)
	Playable Audio Format	MP3/WMA
	Max. Current	Less than 500 mA
<b>GENERAL</b>		
Power Requirement	Operating Voltage	DC 14.4 V (11 V to 16 V allowance)
Grounding System		Negative ground
Allowable Operating Temperature		0°C to +40°C
Dimensions (W $\times$ H $\times$ D)	Installation Size (approx.)	182 mm $\times$ 52 mm $\times$ 152 mm
	Panel Size (approx.)	188 mm $\times$ 58 mm $\times$ 11 mm
Mass (approx.)		1.4 kg (excluding accessories)

- Design and specifications are subject to change without notice.
- Microsoft and Windows Media are either registered trademarks or trademarks of Microsoft Corporation in the United States and/or other countries.
- iPod is a trademark of Apple Computer, Inc., registered in the U.S. and other countries.

# SECTION 1 PRECAUTIONS

## 1.1 Safety Precautions

 **CAUTION** Burrs formed during molding may be left over on some parts of the chassis. Therefore, pay attention to such burrs in the case of performing repair of this system.

 **CAUTION** Please use enough caution not to see the beam directly or touch it in case of an adjustment or operation check.

## 1.2 Preventing static electricity

Electrostatic discharge (ESD), which occurs when static electricity stored in the body, fabric, etc. is discharged, can destroy the laser diode in the traverse unit (optical pickup). Take care to prevent this when performing repairs.

### 1.2.1 Grounding to prevent damage by static electricity

Static electricity in the work area can destroy the optical pickup (laser diode) in devices such as laser products.

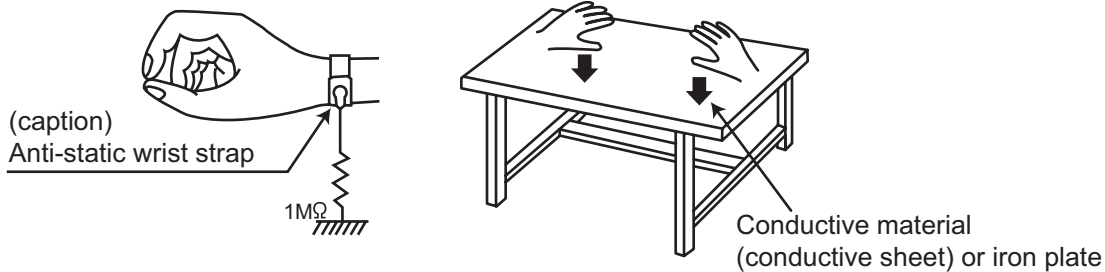
Be careful to use proper grounding in the area where repairs are being performed.

(1) Ground the workbench

Ground the workbench by laying conductive material (such as a conductive sheet) or an iron plate over it before placing the traverse unit (optical pickup) on it.

(2) Ground yourself

Use an anti-static wrist strap to release any static electricity built up in your body.



(3) Handling the optical pickup

- In order to maintain quality during transport and before installation, both sides of the laser diode on the replacement optical pickup are shorted. After replacement, return the shorted parts to their original condition. (Refer to the text.)
- Do not use a tester to check the condition of the laser diode in the optical pickup. The tester's internal power source can easily destroy the laser diode.

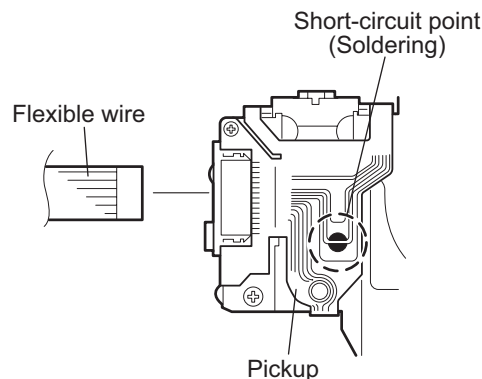
## 1.3 Handling the traverse unit (optical pickup)

- (1) Do not subject the traverse unit (optical pickup) to strong shocks, as it is a sensitive, complex unit.
- (2) Cut off the shorted part of the flexible cable using nippers, etc. after replacing the optical pickup. For specific details, refer to the replacement procedure in the text. Remove the anti-static pin when replacing the traverse unit. Be careful not to take too long a time when attaching it to the connector.
- (3) Handle the flexible cable carefully as it may break when subjected to strong force.
- (4) It is not possible to adjust the semi-fixed resistor that adjusts the laser power. Do not turn it.

## 1.4 Attention when traverse unit is decomposed

**\*Please refer to "Disassembly method" in the text for the pickup unit.**

- Apply solder to the short land before the flexible wire is disconnected from the connector on the pickup unit. (If the flexible wire is disconnected without applying solder, the pickup may be destroyed by static electricity.)
- In the assembly, be sure to remove solder from the short land after connecting the flexible wire.





**1.5 Important for laser products**

**1.CLASS 1 LASER PRODUCT**


**2.DANGER** : Invisible laser radiation when open and interlock failed or defeated. Avoid direct exposure to beam.

**3.CAUTION** : There are no serviceable parts inside the Laser Unit. Do not disassemble the Laser Unit. Replace the complete Laser Unit if it malfunctions.

**4.CAUTION** : The CD,MD and DVD player uses invisible laser radiation and is equipped with safety switches which prevent emission of radiation when the drawer is open and the safety interlocks have failed or are defeated. It is dangerous to defeat the safety switches.

**5.CAUTION** : If safety switches malfunction, the laser is able to function.

**6.CAUTION** : Use of controls, adjustments or performance of procedures other than those specified here in may result in hazardous radiation exposure.

 **CAUTION** Please use enough caution not to see the beam directly or touch it in case of an adjustment or operation check.

**CAUTION** : Visible and invisible laser radiation when open and interlock failed or defeated.  
AVOID DIRECT EXPOSURE TO BEAM.

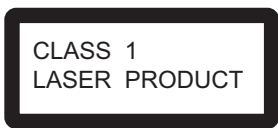
**ADVARSEL** : Synlig og usynlig laserstråling når maskinen er åben eller interlocken fejler. Undgå direkte eksponering til stråling.

**VARNING** : Synlig och osynlig laserstråling när den öppnas och spärren är urkopplad. Betrakta ej strålen.

**VARO** : Avattaessa ja suojalukitus ohitettuna tai viallisena olet alltiina näkyvälle ja näkymättömälle lasersäteilylle. Vältä säteen kohdistumista suoraan itseesi.

**REPRODUCTION AND POSITION OF LABELS**

**WARNING LABEL**



<b>CAUTION</b> : Visible and invisible laser radiation when open and interlock failed or defeated. AVOID DIRECT EXPOSURE TO BEAM. (e)	<b>ADVARSEL</b> : Synlig og usynlig laserstråling når maskinen er åben eller interlocken fejler. Undgå direkte eksponering til stråling. (d)	<b>VARNING</b> : Synlig och osynlig laserstråling när den öppnas och spärren är urkopplad. Betrakta ej strålen. (s)	<b>VARO</b> : Avattaessa ja suojalukitus ohitettuna tai viallisena olet alltiina näkyvälle ja näkymättömälle lasersäteilylle. Vältä säteen kohdistumista suoraan itseesi. (f)
---	--	---	---

## SECTION 2 SPECIFIC SERVICE INSTRUCTIONS

### 2.1 DIFFERENT POINT

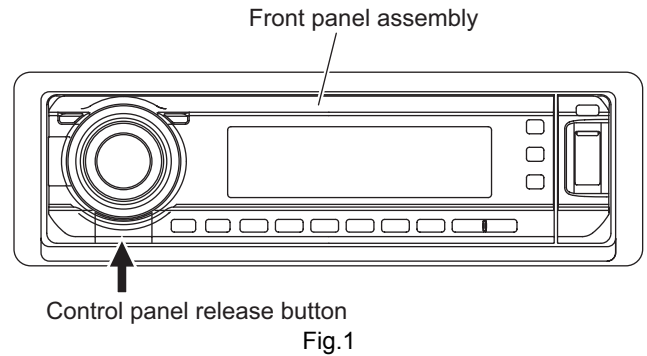
	KD-AR870	KD-G820	KD-G821	KD-G824	KD-G825	KD-G827
LINE IN	YES	NO	NO	NO	NO	NO
RDS	NO	NO	YES	NO	NO	NO
STEERING WHEEL REMOTE INPUT	NO	NO	YES	NO	NO	NO

## SECTION 3 DISASSEMBLY

### 3.1 Main body section

#### 3.1.1 Removing the front panel assembly (See Fig.1)

- (1) Push the control panel release button in the lower left part of the front panel assembly and remove the front panel assembly.
- (2) Take out the front panel assembly.

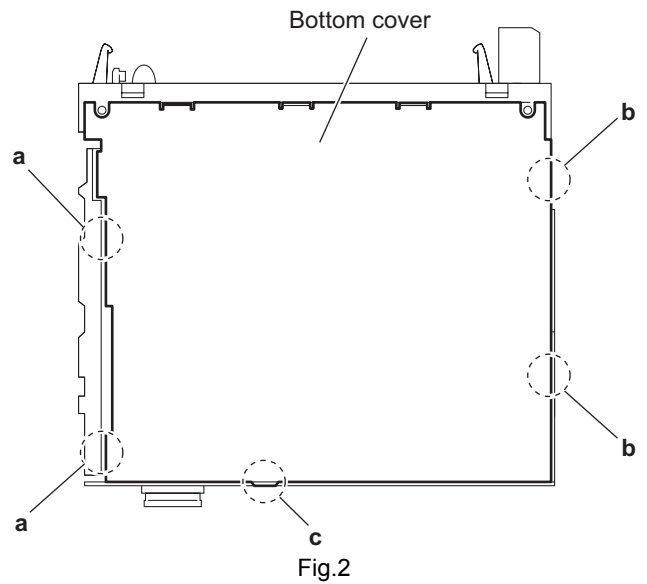


#### 3.1.2 Removing the bottom cover (See Fig.2)

- (1) Turn the main body up side down.
- (2) Insert a screwdriver under the joints to release the joints **a** on the left side, joints **b** on the right side and joint **c** on the back side of the main body, then remove the bottom cover from the main body.

**Caution:**

When releasing the joints using a screwdriver, do not damage the main board.



**3.1.3 Removing the front chassis assembly  
(See Figs.3 and 4)**

- Remove the front panel assembly and bottom cover.
  - (1) Remove the two screws **A** on the front side of the main body. (See Fig.3)
  - (2) Remove the two screws **B** on the both sides of the main body. (See Fig.4)
  - (3) Release the joints **d** and joints **e** on the both sides of the main body, and then remove the front chassis assembly toward the front. (See Fig.4)

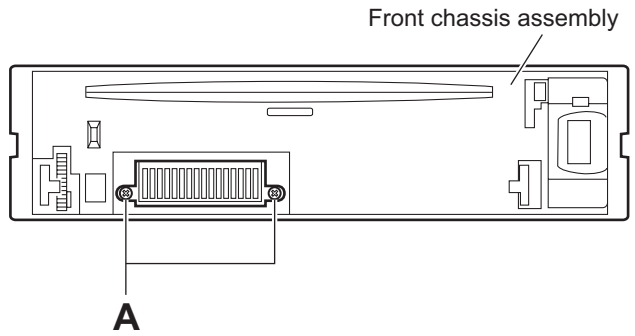


Fig.3

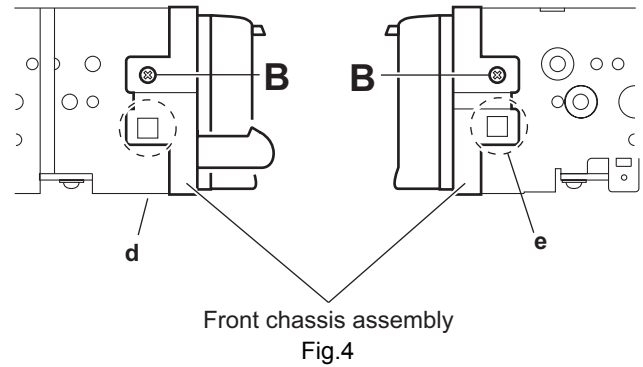


Fig.4

**3.1.4 Removing the side panel  
(See Fig.5)**

**Reference:**

- Remove the front panel assembly as required.
- (1) Remove the two screws **C** and three screws **D** attaching the side panel on the left side of the main body.
  - (2) Take out the side panel from the main body.

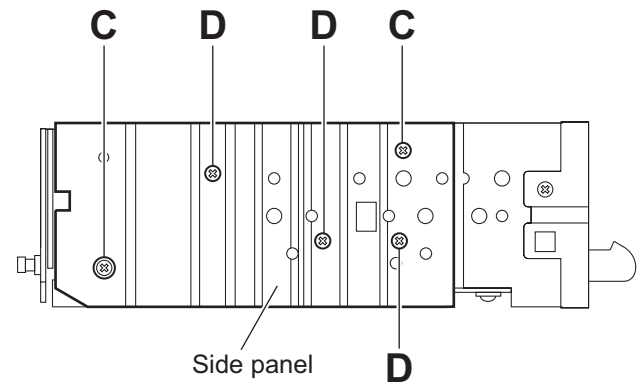


Fig.5

### 3.1.5 Removing the rear bracket

(See Fig.6) [For KD-AR870, KD-G820 and KD-G821]

- Remove the bottom cover.
  - Remove the four screws **E**, two screws **F** and two screws **G** attaching the rear bracket on the back side of the main body.
  - Take out the rear bracket.

### 3.1.6 Removing the rear bracket

(See Fig.6) [For KD-G824, KD-G825 and KD-G827]

- Remove the bottom cover.
  - Remove the three screws **E**, three screws **F** and two screws **G** attaching the rear bracket on the back side of the main body.
  - Take out the rear bracket.

### 3.1.7 Removing the main board

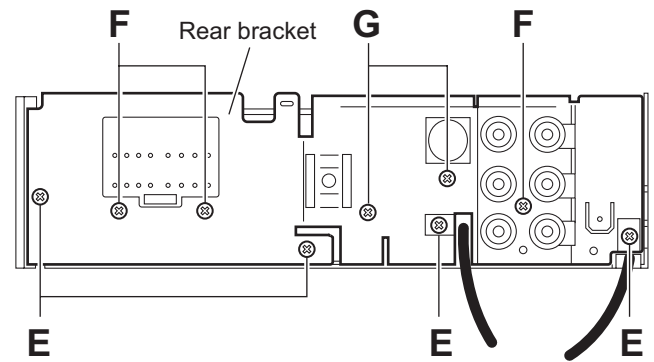
(See Figs.6 to 8)

- Remove the front panel assembly, bottom cover, front chassis assembly and side panel.
  - Remove the four screws **E** for KD-AR870, KD-G820 and KD-G821 or three screws **E** for KD-G824, KD-G825 and KD-G827 attaching the rear bracket on the back side of the main body. (See Fig.6.)
  - Remove the three screws **H** attaching the main board. (See Fig.7)
  - Disconnect the connector [CN501](#) and take out the main board. (See Fig.7)
  - Remove the one screw **J** attaching the USB board. (See Fig.8)

#### Reference:

Remove the rear bracket as required.

for KD-AR870, KD-G820, KD-G821



for KD-G824, KD-G825, KD-G827

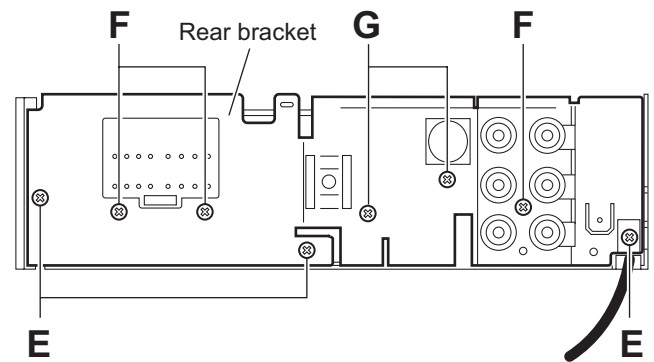


Fig.6

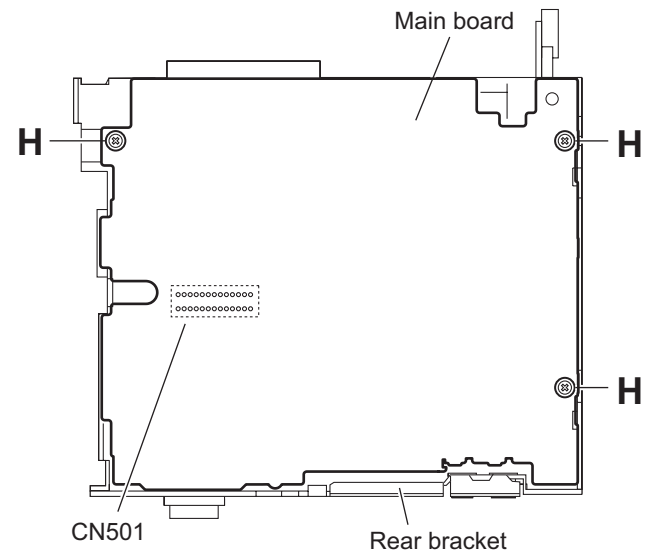


Fig.7

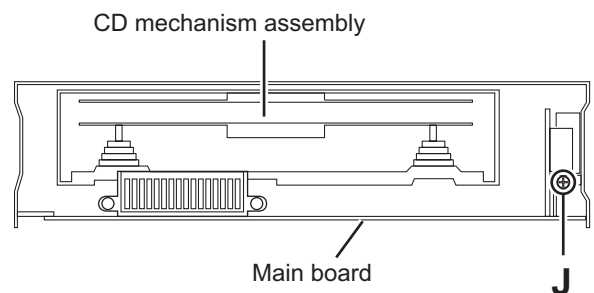


Fig.8

### 3.1.8 Removing the CD mechanism assembly (See Fig.9)

- Remove the front panel assembly, bottom cover, front chassis assembly, side panel, main board and CD mechanism control board.
  - Remove the three screws **K** attaching the top chassis.
  - Take out the CD mechanism assembly.

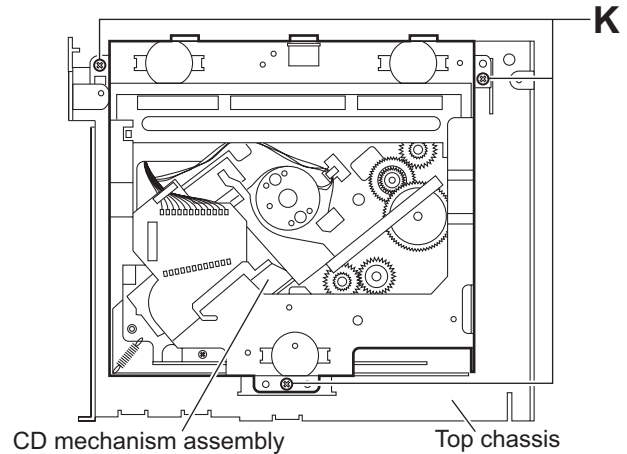


Fig.9

### 3.1.9 Removing the switch board (See Figs.10 to 13)

- Remove the front panel assembly.
  - Release the main volume knob from the front panel assembly. (See Fig.10)
  - Remove the five screws **L** and one screw **M** attaching the front panel assembly. (See Fig.11)
  - Release the nine joints **f** and take out the rear cover. (See Fig.12)
  - Lift the switch board from the front panel assembly little by little and take out the switch board. (See Fig.13)

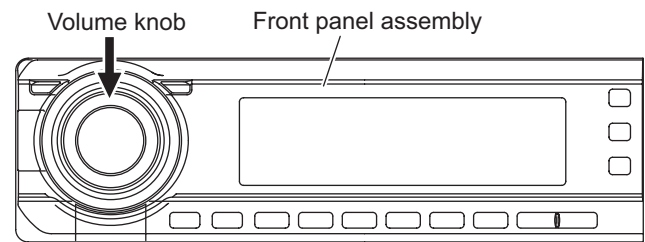


Fig.10

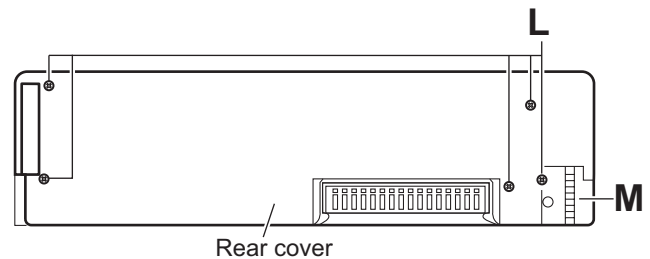


Fig.11

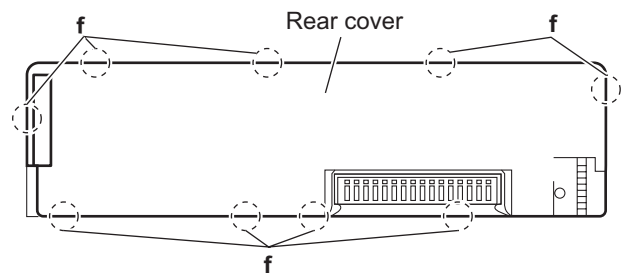


Fig.12

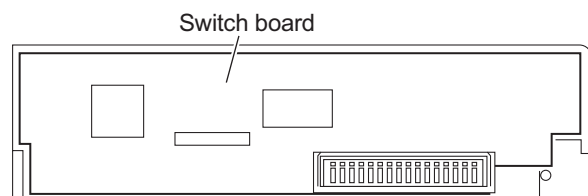


Fig.13

## 3.2 CD mechanism section

For the CD mechanism, please refer the mechanism manual TN2001-1118 (No.MY004).

# SECTION 4 ADJUSTMENT

## 4.1 Adjustment method

### ■ Test instruments required for adjustment

- (1) Digital oscilloscope (100MHz)
- (2) Electric voltmeter
- (3) Digital tester
- (4) Tracking offset meter
- (5) Test Disc JVC :CTS-1000
- (6) Extension cable for check  
EXTSH002-22P × 1

### ■ Standard volume position

Balance and Bass & Treble volume : Indication "0"  
Loudness : OFF

### ■ How to connect the extension cable for adjusting

#### Caution:

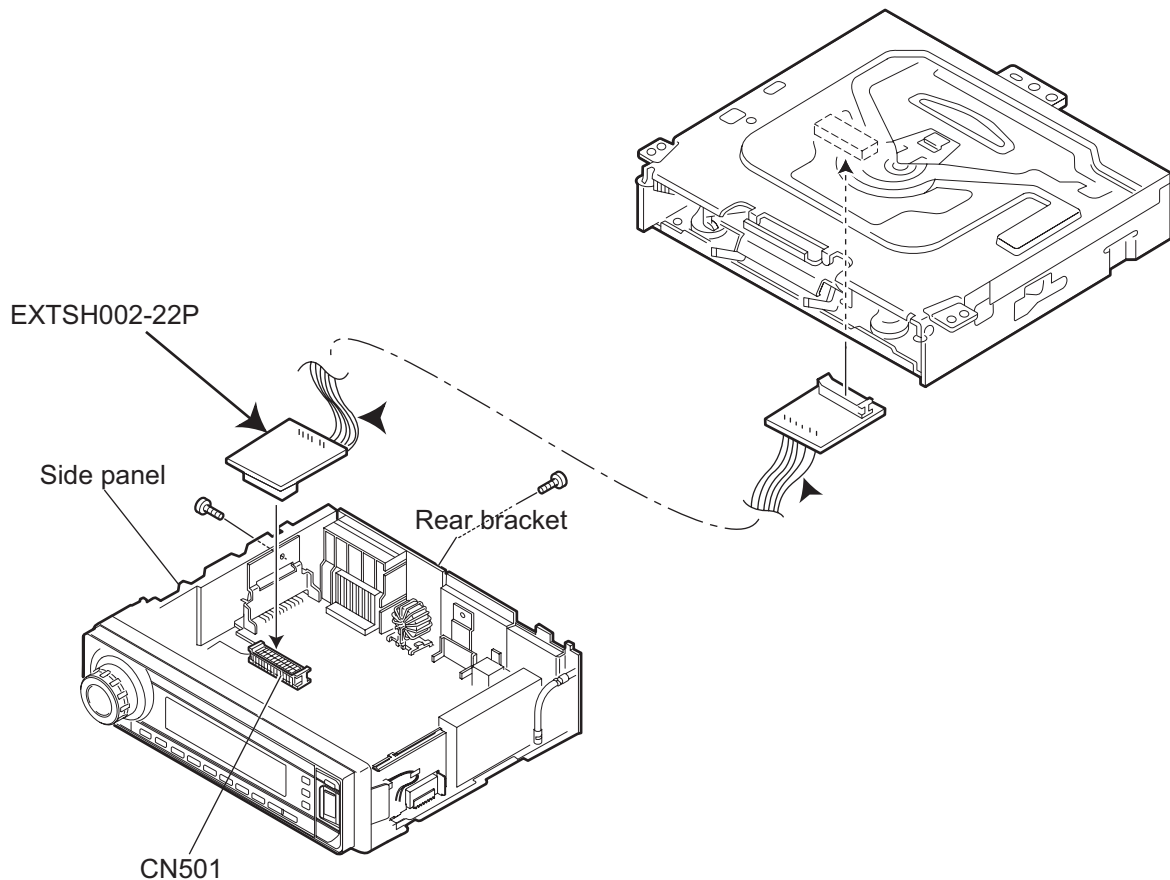
Be sure to attach the heat sink and rear bracket onto the power amplifier IC and regulator IC respectively, before supply the power. If voltage is applied without attaching these parts, the power amplifier IC and regulator IC will be destroyed by heat.

### ■ Standard measuring conditions

Power supply voltage	DC14.4V(11 to 16V)
Load impedance	20KΩ(2 Speakers connection)
Output Level	KD-ARXXX Line out 4.0V (Vol. MAX)
	KD-GXXX Line out 2.5V (Vol. MAX)

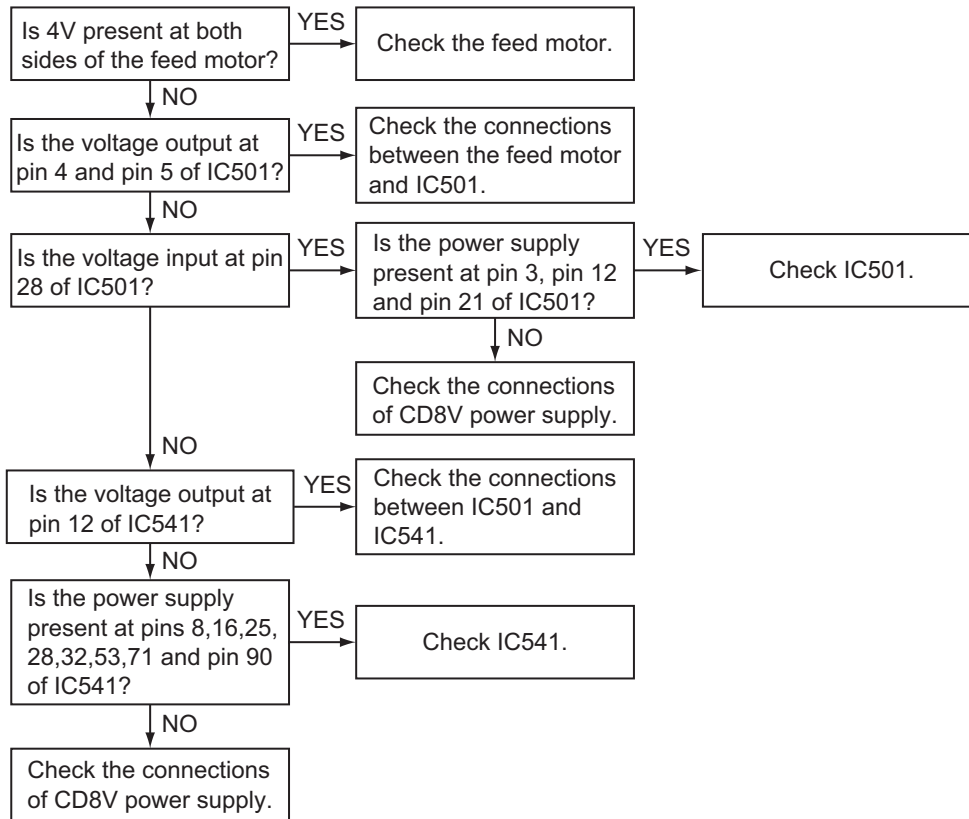
### ■ Dummy load

Exclusive dummy load should be used for AM, and FM. For FM dummy load, there is a loss of 6dB between SSG output and antenna input. The loss of 6dB need not be considered since direct reading of figures are applied in this working standard.

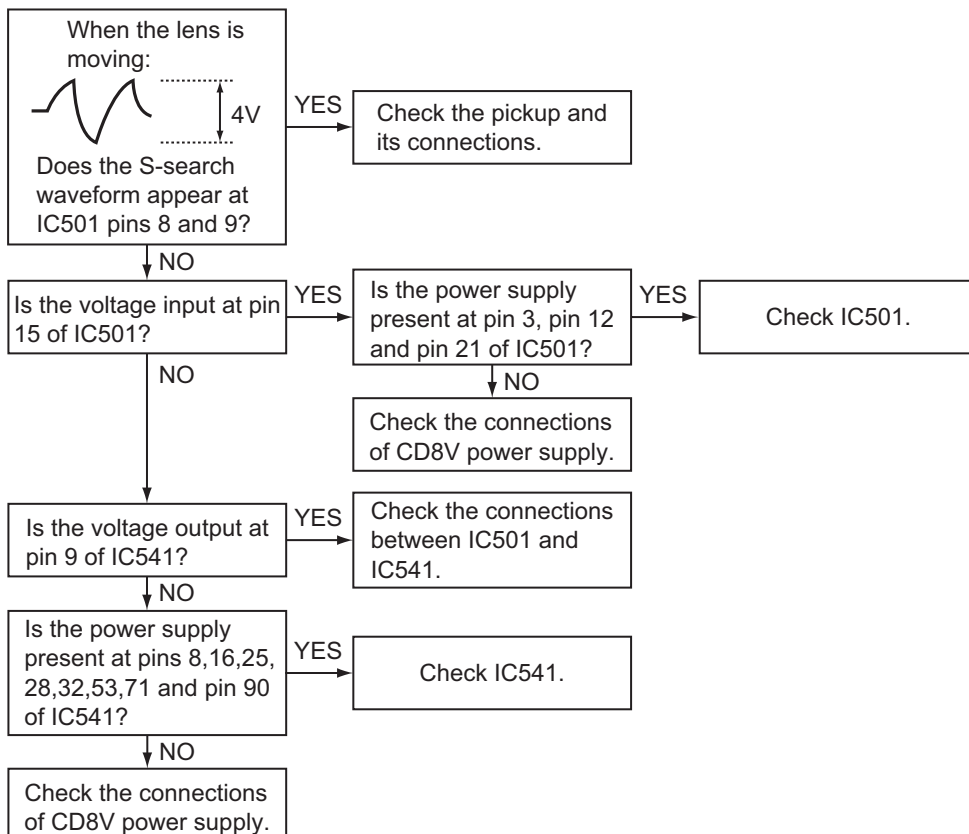


# SECTION 5 TROUBLESHOOTING

## 5.1 Feed section

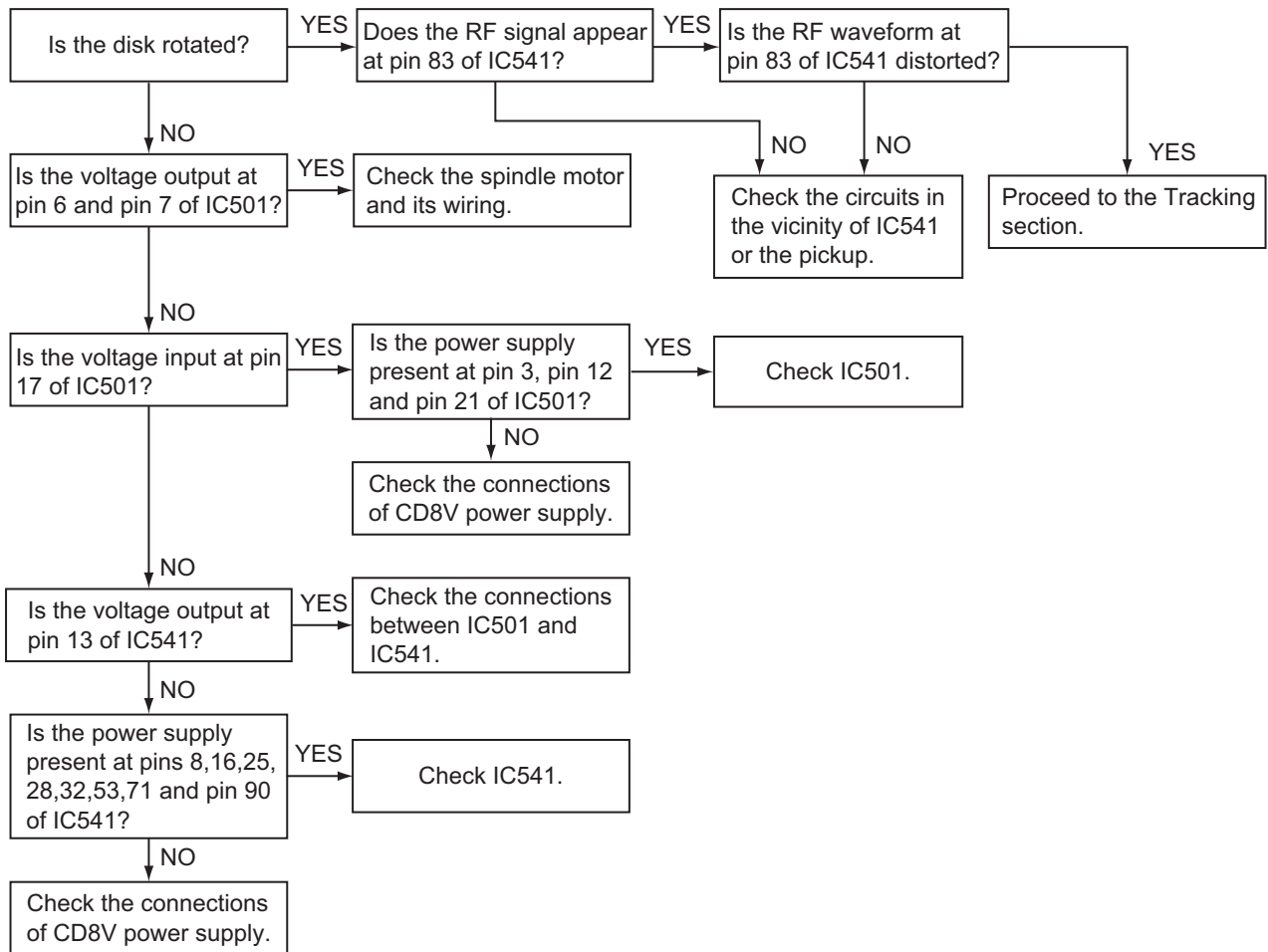


## 5.2 Focus section

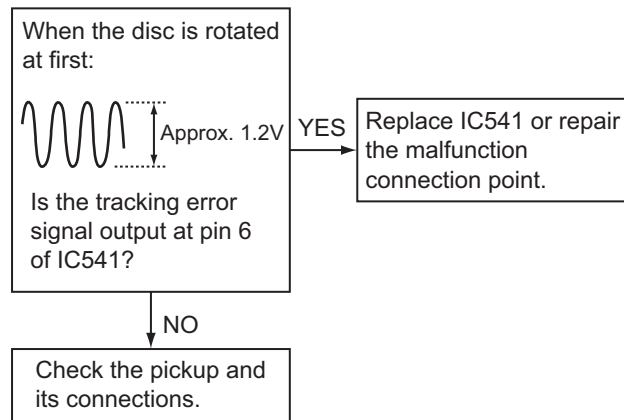




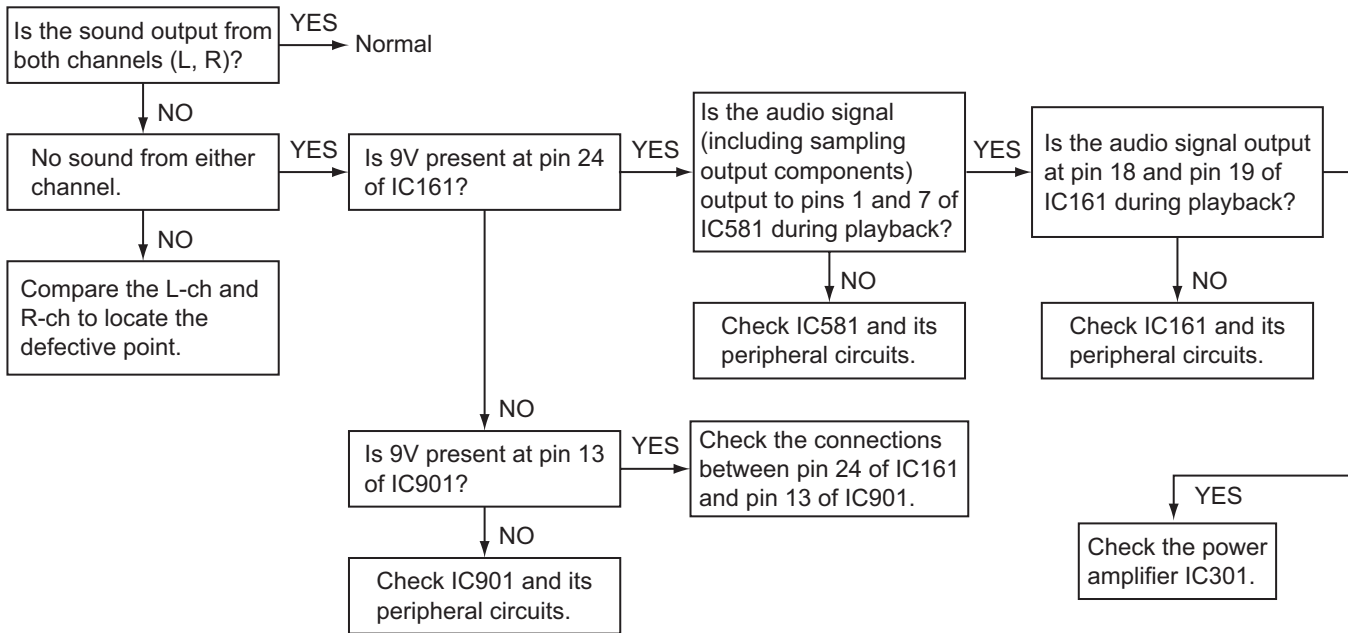
### 5.3 Spindle section



### 5.4 Tracking section

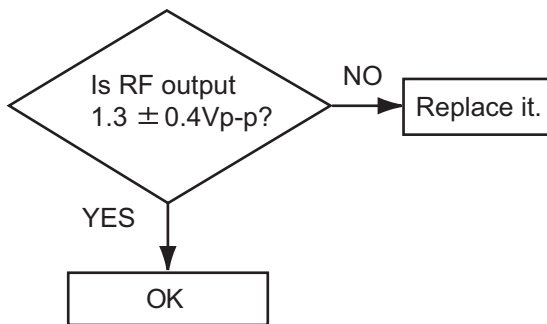


## 5.5 Signal processing section



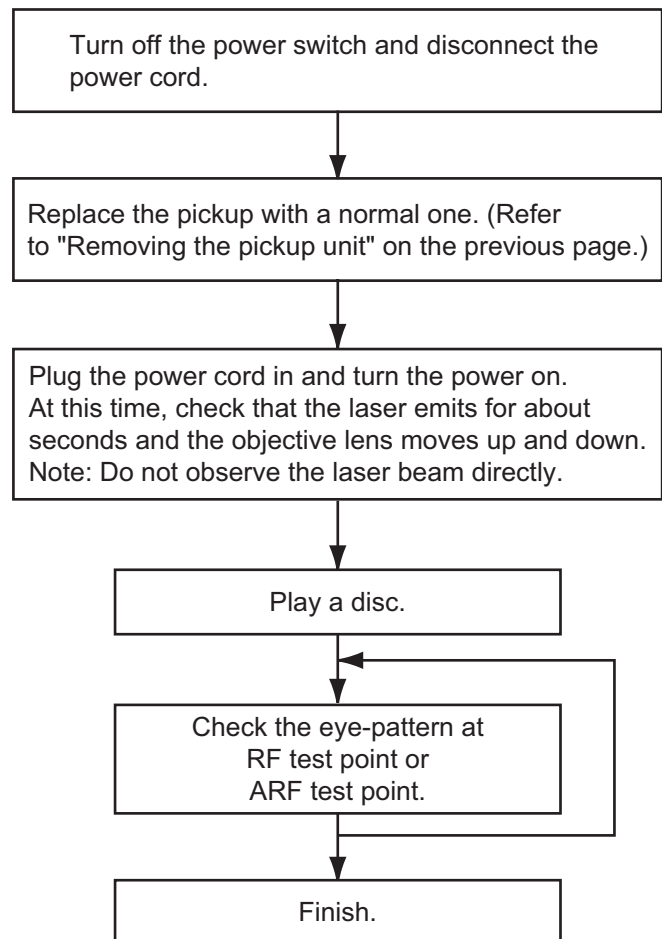
## 5.6 Maintenance of laser pickup

- (1) Cleaning the pick up lens  
Before you replace the pick up, please try to clean the lens with a alcohol soaked cotton swab.
- (2) Life of the laser diode  
When the life of the laser diode has expired, the following symptoms will appear.
  - The level of RF output (EFM output: amplitude of eye pattern) will be low.

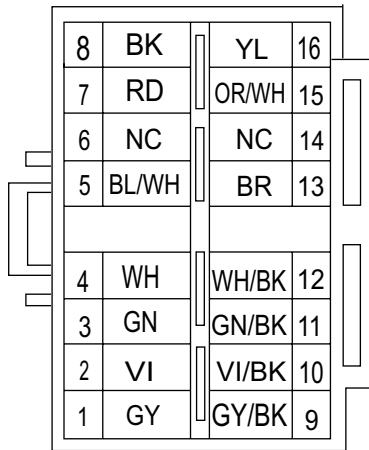


- (3) Semi-fixed resistor on the APC PC board  
The semi-fixed resistor on the APC printed circuit board which is attached to the pickup is used to adjust the laser power. Since this adjustment should be performed to match the characteristics of the whole optical block, do not touch the semi-fixed resistor.  
If the laser power is lower than the specified value, the laser diode is almost worn out, and the laser pickup should be replaced. If the semi-fixed resistor is adjusted while the pickup is functioning normally, the laser pickup may be damaged due to excessive current.

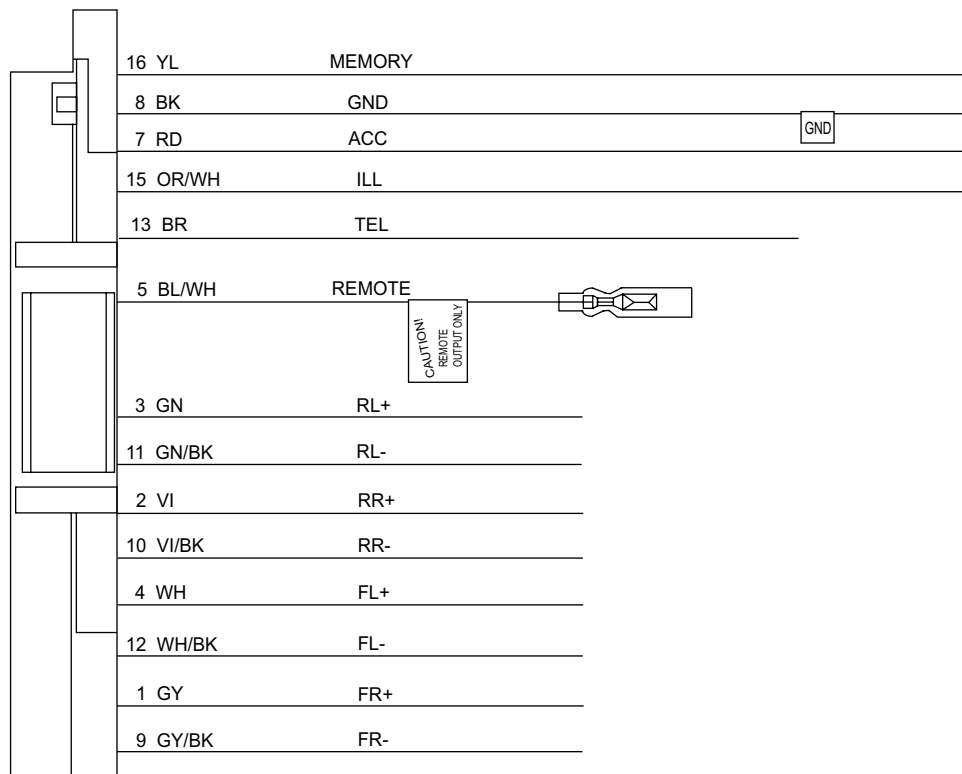
## 5.7 Replacement of laser pickup



5.8 16P CORD DIAGRAM (for KD-AR870)

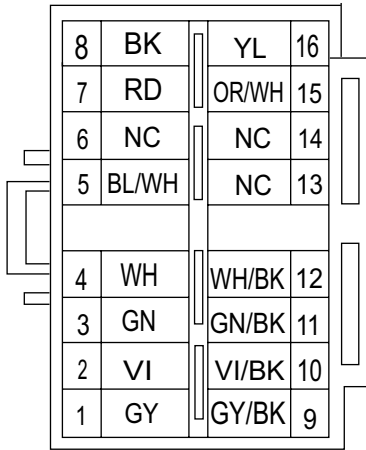


BK	Black	GN	Green
RD	Red	VI	Violet
BL	Blue	GY	Gray
WH	White	YL	Yellow
BR	Brown	OR	Orange

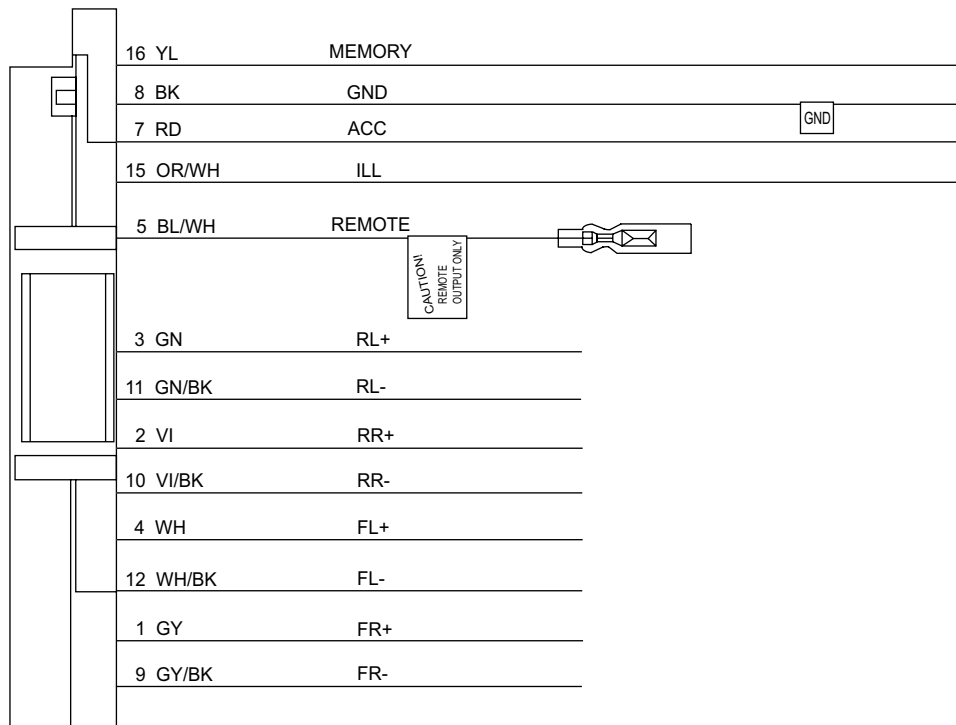


RR	Rear Right	REMOTE	Remote out
FR	Front Right	ACC	ACC Line
FL	Front Left	MEMORY	Memory Backup Battery +
RL	Rear Left	GND	Ground
TEL	Telephone muting	ILL	Illuminations Control

5.9 16 PIN CORD DIAGRAM (for KD-G820)

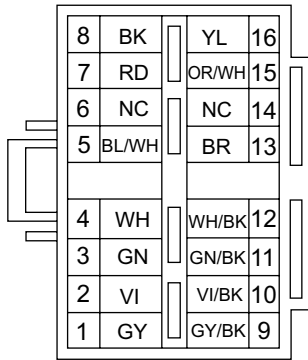


BK	Black	GN	Green
RD	Red	VI	Violet
BL	Blue	GY	Gray
WH	White	YL	Yellow
		OR	Orange

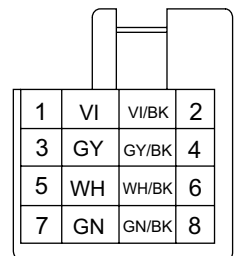
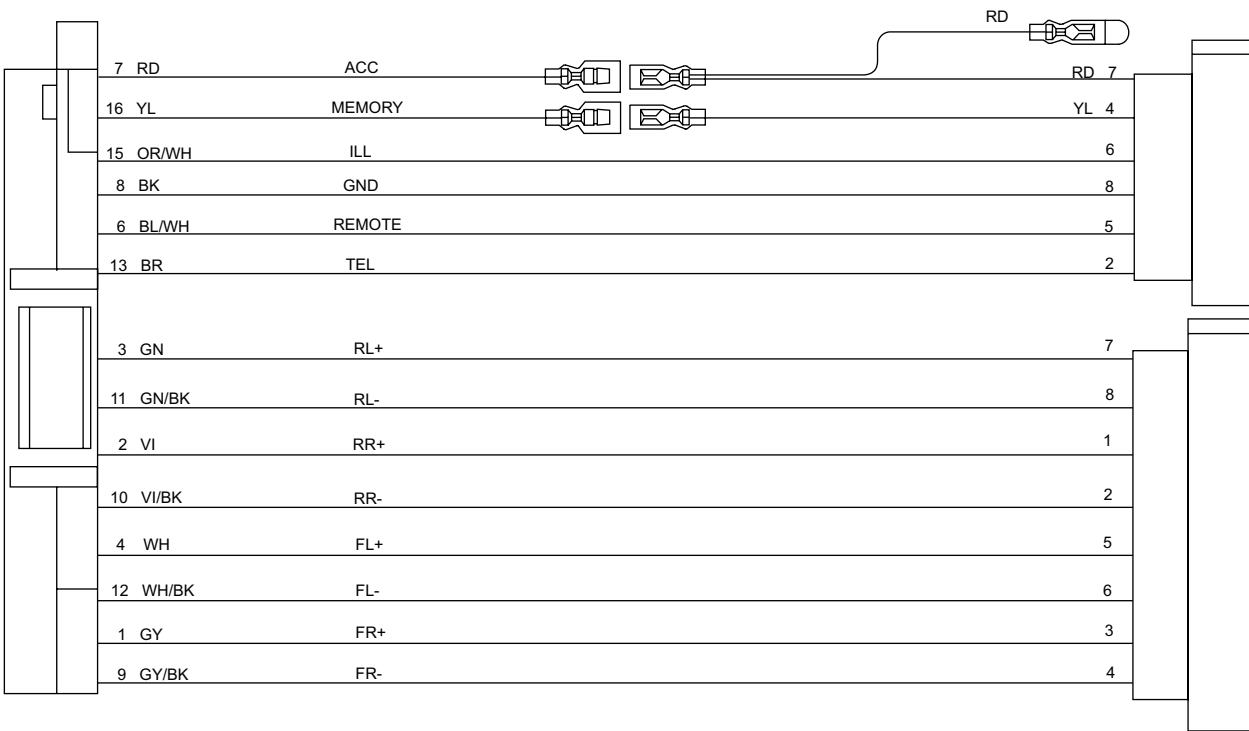
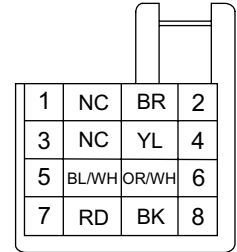


RR	Rear Right	REMOTE	Remote out
FR	Front Right	ACC	ACC Line
FL	Front Left	MEMORY	Memory Backup Battery +
RL	Rear Left	GND	Ground
		ILL	Illuminations Control

5.10 16 PIN CORD DIAGRAM (for KD-G821,KD-G827)

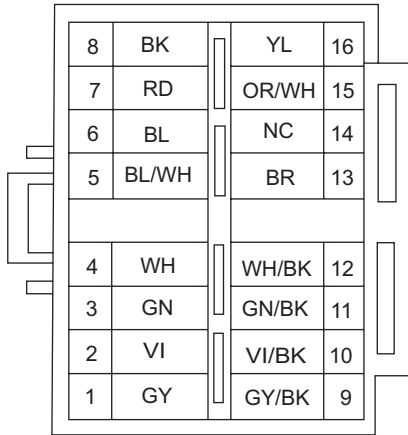


BK	Black	GN	Green
RD	Red	VI	Violet
BL	Blue	GY	Gray
WH	White	YL	Yellow
BR	Brown	OR	Orange

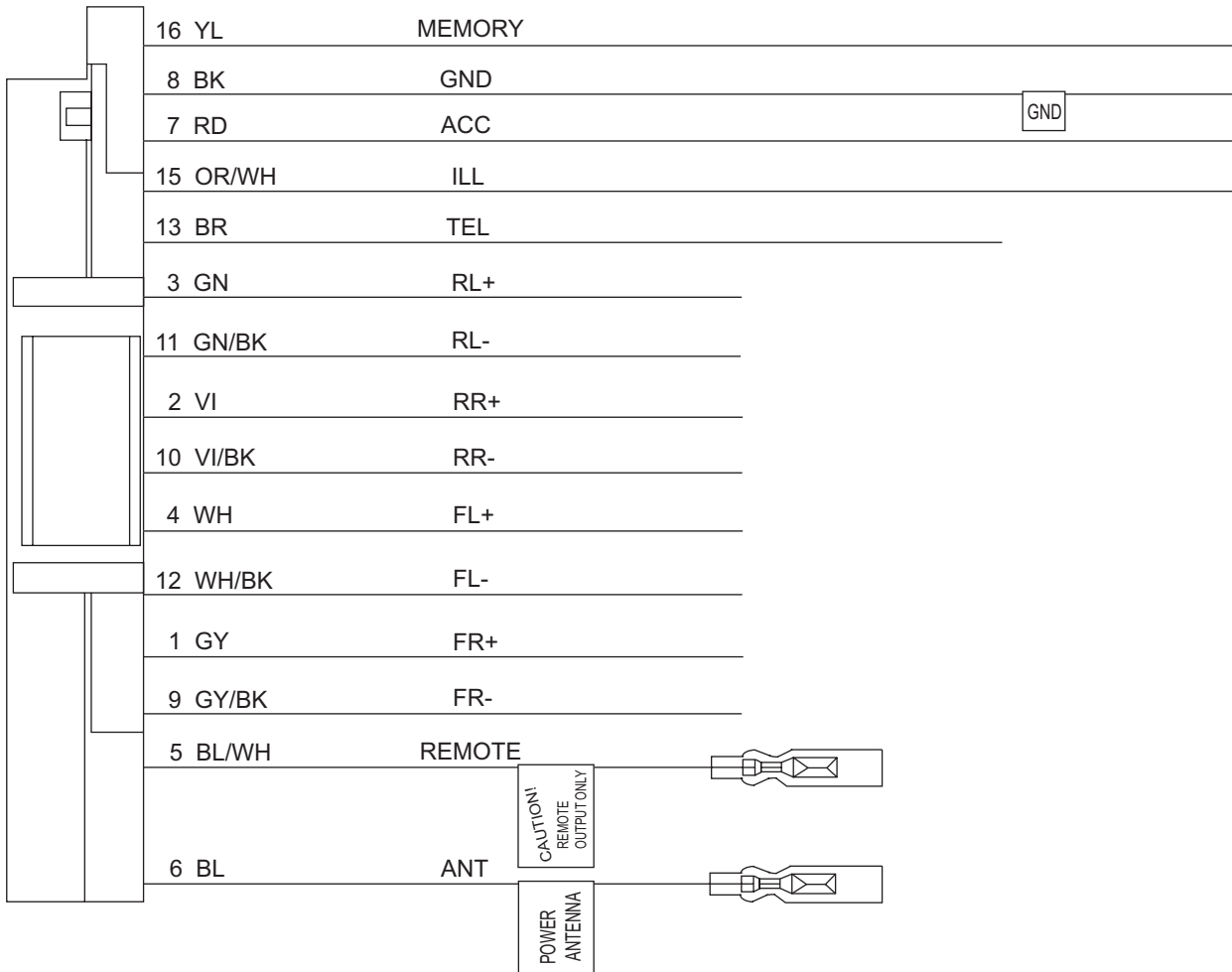


RR	Rear Right	ANT	Auto Antenna
FR	Front Right	ACC	ACC Line
FL	Front Left	TEL	Telephone Muting
RL	Rear Left	GND	Ground
REMOTE	Remote	MEMORY	Memory Backup Battery+
ILL	Illuminations Control		

5.11 16 PIN CORD DIAGRAM (for KD-G824,KD-G825)



BK	Black	GN	Green
RD	Red	VI	Violet
BL	Blue	GY	Gray
WH	White	YL	Yellow
BR	Brown	OR	Orange



RR	Rear Right	ANT	Auto Antenna
FR	Front Right	ACC	ACC Line
FL	Front Left	ILL	Illuminations Control
RL	Rear Left	GND	Ground
REMOTE	Remote out	MEMORY	Memory Backup Battery+
TEL	Telephone muting		





**JVC**

Victor Company of Japan, Limited  
Mobile Entertainment Business Group Mobile Entertainment Category 10-1,1chome,Ohwatari-machi,Maebashi-city,Gumma-ken, 371-8543,Japan

(No.MA249)



# PARTS LIST

KD-AR870J,KD-G820J,KD-G821E,KD-G821EX  
KD-G821EY,KD-G821EU,KD-G824UI,KD-G825U  
KD-G825UN,KD-G825UH,KD-G825UT,KD-G827EE

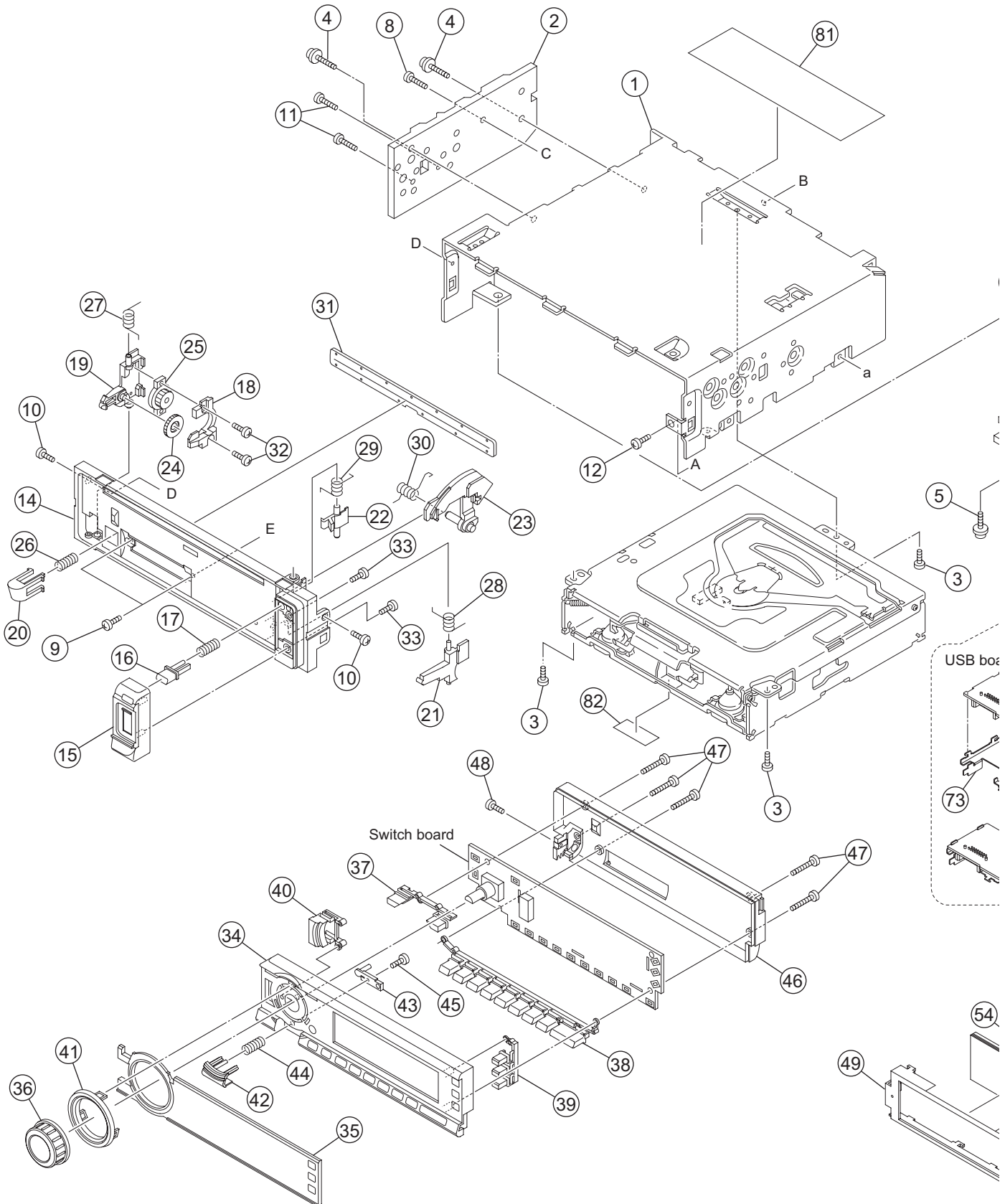
- \* All printed circuit boards and its assemblies are not available as service parts.
- \* Please refer to the mechanism manual (model TN2001-1118, No.MY004) for the CD mechanism.

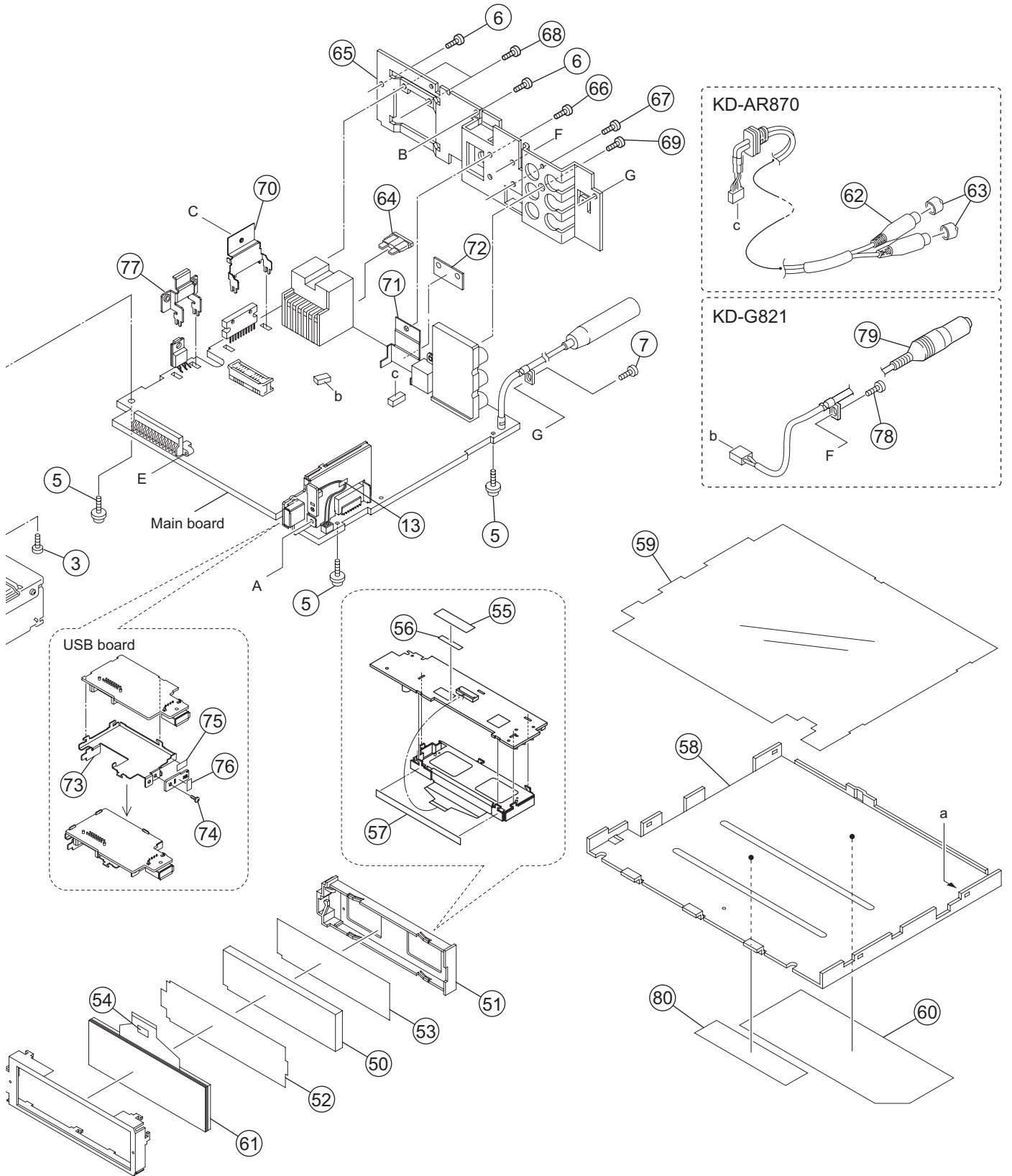
## - Contents -

Exploded view of general assembly and parts list (Block No.M1) .....	3- 2
Electrical parts list (Block No.01~09).....	3- 6
Packing materials and accessories parts list (Block No.M3).....	3-28

# Exploded view of general assembly and parts list

Block No. M 1 M M





# General Assembly

Block No. [M][1][M][M]

Symbol No.	Part No.	Part Name	Description	Local
1	GE10153-001A	TOP CHASSIS		
2	GE32125-001A	SIDE PANEL		
3	QYSDST2604ZA	TAP SCREW	M2.6 x 4mm(x3)	
4	GE40235-001A	SCREW	(x2)	
5	GE40235-004A	SCREW	(x3)	
6	QYSDST2604ZA	TAP SCREW	M2.6 x 4mm(x2)	
7	QYSDST2606ZA	TAP SCREW	M2.6 x 6mm	
8	QYSDST2610ZA	TAP SCREW	M2.6 x 10mm	
9	QYSDSF2006ZA	TAP SCREW	M2 x 6mm(x2)	
10	QYSDST2004ZA	TAP SCREW	M2 x 4mm(x2)	
11	QYSDST2610ZA	TAP SCREW	M2.6 x 10mm(x2)	
12	QYSDST2604ZA	TAP SCREW	M2.6 x 4mm	
13	FSYH4036-100	SHEET		
14	GE32144-001A	F.CHASSIS ASSY		
15	GE32173-001A	FRONT COVER ASS		AR870J, G827EE
15	GE32173-002A	FRONT COVER ASS		G820J, G821E, G821EX, G821EY, G821EU G824UI, G825U, G825UN, G825UH, G825UT
16	GE32136-001A	EJECT BUTTON		AR870J, G827EE
16	GE32136-002A	EJECT BUTTON		G820J, G821E, G821EX, G821EY, G821EU G824UI, G825U, G825UN, G825UH, G825UT
17	GE40202-015A	COMP.SPRING		
18	GE32116-001A	LOCK LEVER GUID		
19	GE32117-001A	LOCK LEVER(L)		
20	GE32118-002A	DETACH LEVER		
21	GE32119-001A	LOCK LEVER (TOP		
22	GE32120-001A	LOCK LEVER(R)		
23	GE32121-001A	OPEN LEVER		
24	GE40154-001A	GEAR		
25	QZW0108-002	OIL DAMPER		
26	GE40202-014A	COMPRESSION SPRING		
27	GE40301-001A	T.SPRING		
28	GE40303-003A	T.SPRING		
29	GE40304-001A	T.SPRING		
30	GE40305-001A	T.SPRING		
31	GE40156-001A	BLIND		
32	QYSDSF2008ZA	TAP SCREW	M2 x 8mm(x2)	
33	VKZ4777-010	MINI SCREW	(x2)	
34	GE10150-018A	FRONT PANEL		AR870J
34	GE10150-024A	FRONT PANEL		G820J
34	GE10150-025A	FRONT PANEL		G821E, G821EX, G821EY, G821EU
34	GE10150-026A	FRONT PANEL		G824UI
34	GE10150-027A	FRONT PANEL		G825U, G825UN, G825UH, G825UT
34	GE10150-028A	FRONT PANEL		G827EE
35	GE32143-018A	FINDER ASSY		AR870J
35	GE32143-009A	FINDER ASSY		G820J
35	GE32143-010A	FINDER ASSY		G821E, G821EX, G821EY, G821EU, G824UI G825U, G825UN, G825UH, G825UT, G827EE
36	GE40314-001A	VOLUME KNOB ASS		
37	GE32135-001A	BAND DISP BTN		
38	GE20193-001A	PRESET BUTTON		AR870J, G827EE
38	GE20193-002A	PRESET BUTTON		G820J, G821E, G821EX, G821EY, G821EU G824UI, G825U, G825UN, G825UH, G825UT AR870J, G820J, G824UI, G825U, G825UN G825UH, G825UT
39	GE32137-002A	UP/DOWN BTN		G821E, G821EX, G821EY, G821EU, G827EE
39	GE32137-001A	UP/DOWN BTN		
40	GE32134-001A	SRC BUTTON		
41	GE32133-001A	RIM COVER		
42	GE32138-001A	DETACH BTN TOP		AR870J, G827EE
42	GE32138-002A	DETACH BTN TOP		G820J, G821E, G821EX, G821EY, G821EU G824UI, G825U, G825UN, G825UH, G825UT
43	GE32139-001A	DETACH BTN BASE		
44	GE40202-016A	COMP.SPRING		
45	VKZ4777-010	MINI SCREW		
46	GE10151-001A	REAR COVER		
47	VKZ4777-010	MINI SCREW	(x5)	
48	VKZ4777-011	MINI SCREW		
49	GE32140-002A	LCD CASE		
50	GE32142-001A	LENS		
51	GE32141-002A	LENS CASE		
52	GE40313-001A	LIGHTING SHEET		
53	GE40321-001A	SHEET		
54	LV40846-036A	SPACER(F)		
55	LV40848-034A	SPACER(P)		
56	LV43084-001A	DOUBLE FACE		
57	LV43912-001A	SHEET		
58	GE32127-001A	BOTTOM COVER		

△	Symbol No.	Part No.	Part Name	Description	Local
	59	GE32146-001A	INSULATOR		
	60	GE31923-001A	NAME PLATE		AR870J
	60	GE31926-001A	NAME PLATE		G820J
	60	GE31932-001A	NAME PLATE		G821E,G821EX,G821EY,G821EU
	60	GE32044-001A	NAME PLATE		G824UI
	60	GE31929-001A	NAME PLATE		G825U,G825UN,G825UH
	60	GE31948-001A	NAME PLATE		G825UT
	60	GE31935-001A	NAME PLATE		G827EE
	61	QLD0381-001	LCD MODULE		
	62	QAM0548-001	L-IN CABLE		AR870J
	63	VYTA500-001	PIN CAP	(x2)	AR870J
△	64	QMFZ047-150-T	FUSE	15A	
	65	GE32123-001A	REAR BARCKET		
	66	QYSDST2606ZA	TAP SCREW	M2.6 x 6mm	
	67	QYSDST2606ZA	TAP SCREW	M2.6 x 6mm	
	68	QYSDSF2606ZA	TAP SCREW	M2.6 x 6mm(x2)	
	69	QYSDSF2606ZA	TAP SCREW	M2.6 x 6mm	
	70	GE40307-002A	IC BRACKET		
	71	GE40103-003A	REG BRACKET		
	72	GE40107-005A	HEAT SINK		
	73	GE32129-002A	PWB USB BRACKET		
	74	QYSDST2606ZA	TAP SCREW	M2.6 x 6mm	
	75	GE40218-047A	SHEET		
	76	GE40218-048A	SHEET		
	77	GE40309-001A	REG BRACKET		
	78	QYSDST2604ZA	TAP SCREW	M2.6 x 4mm	G821E,G821EX,G821EY,G821EU
	79	QAM0686-001	STEERING REMOTE		G821E,G821EX,G821EY,G821EU
	80	LV41843-002A	LASER CAUTION		G821E,G821EX,G821EY,G821EU,G824UI
	81	GE31574-030A	UT LABLE		G825U,G825UN,G825UH,G825UT,G827EE
	82	GE40335-001A	SHEET		G825UT

# Electrical parts list

## Main board

(KD-GAR870,G820,G824,G825)

Block No. [0][1]

△ Symbol No.	Part No.	Part Name	Description	Local
IC161	TDA7419-X	IC		
IC162	CD4066BPW-X	IC		
IC301	TB2904HQ	IC		
IC361	NJM2792V-X	IC		
IC501	LA6242H-X	BTL DRIVER IC		
IC502	SN74AHC04PW-X	IC		
IC503	PCM1780-X	DAC(BB)		
IC541	TC94A70FG	IC		
IC561	SN74CBT3245AP-X	LOGIC IC		
IC571	NJU7772F15-X	1.5V REGULATOR		
IC581	NJM4580M-X	IC		
IC701	UPD784218AGC327	C		
IC702	S-80833CNNB-G-W	IC		
IC703	BR24L16F-W-X	IC		
IC704	SN74AHCT1G08V-X	IC		
IC801	SN74AHC126NS-X	IC		
IC901	AN80T71	REGULATOR IC		
IC902	NJU7241F33-X	IC		
IC903	NJU7241F33-X	IC		
IC941	BA05CC0WT-V5	IC REGULATOR		
Q1	RT1N141C-X	TRANSISTOR		
Q191	RT1N141C-X	TRANSISTOR		
Q192	RT1N141C-X	TRANSISTOR		
Q251	KTD1304-X	TRANSISTOR		
Q252	RT1P141C-X	TRANSISTOR		
Q301	RT1N141C-X	TRANSISTOR		
Q302	2SC3928A/QR/-X	TRANSISTOR		
Q321	KTD1304-X	TRANSISTOR		AR870J
Q331	KTD1304-X	TRANSISTOR		
Q341	KTD1304-X	TRANSISTOR		
Q351	KTD1304-X	TRANSISTOR		
Q502	2SA1705/ST/-T	TRANSISTOR		
Q571	2SA1708/ST/-T	TRANSISTOR		
Q581	2SA1365/F/-X	TRANSISTOR		
Q582	RT1N141C-X	TRANSISTOR		
Q781	RT1P141C-X	TRANSISTOR		
Q782	RT1P141C-X	TRANSISTOR		
Q841	RT1N141C-X	TRANSISTOR		
Q881	2SC3928A/QR/-X	TRANSISTOR		
Q891	RT1N141C-X	TRANSISTOR		AR870J G824UI G825UJ 825UN G825UH G825UT
Q901	2SA1365/F/-X	TRANSISTOR		
Q902	RT1N141C-X	TRANSISTOR		
Q976	RT1N441C-X	TRANSISTOR		
Q977	2SA1530A/QR/-X	TRANSISTOR		
Q5001	2SA1530A/R/-X	TRANSISTOR		
Q5002	RT1N141C-X	TRANSISTOR		
Q5003	RT1N141C-X	TRANSISTOR		
D1	1SS355W-X	SI DIODE		
D2	1SS355W-X	SI DIODE		
D141	UDZW6.2B-X	DIODE		AR870J
D142	UDZW6.2B-X	DIODE		AR870J
D151	UDZW6.2B-X	DIODE		AR870J
D152	UDZW6.2B-X	DIODE		AR870J
D161	UDZW6.2B-X	DIODE		
D162	UDZW6.2B-X	DIODE		
D251	1SS355W-X	SI DIODE		
D253	1SS355W-X	SI DIODE		
D301	1SS355W-X	SI DIODE		
D302	1SS355W-X	SI DIODE		
D321	MC2836-X	DOUBLE DIODE		
D341	MC2836-X	DOUBLE DIODE		
D501	1A3G-T1	SI DIODE		
D502	1SS355W-X	SI DIODE		
D503	1SS355W-X	SI DIODE		
D701	1SS355W-X	SI DIODE		

△ Symbol No.	Part No.	Part Name	Description	Local
D702	UDZW6.2B-X	DIODE		
D703	UDZW6.2B-X	DIODE		
D704	UDZW6.2B-X	DIODE		
D705	UDZW6.2B-X	DIODE		
D706	UDZW6.2B-X	DIODE		
D707	UDZW6.2B-X	DIODE		
D708	UDZW6.2B-X	DIODE		
D709	MC2838-X	DOUBLE DIODE		
D710	MC2838-X	DOUBLE DIODE		
D711	SLR-56VC3F	DIODE C.M		
D714	UDZW6.2B-X	DIODE		
D715	UDZW5.1B-X	SI DIODE		
D781	1SS355W-X	SI DIODE		
D782	UDZW11B-X	Z DIODE		
D851	RB160M-30-X	SB DIODE		G824UI G825UJ G825UN G825UH G825UT
D852	RB160M-30-X	SB DIODE		G824UI G825UJ G825UN G825UH G825UT
D853	CRS03-W	SB DIODE		
D854	CRS03-W	SB DIODE		
D891	MC2836-X	DOUBLE DIODE		AR870J G824UI G825UJ G825UN G825UH G825UT
D901	1SS355W-X	SI DIODE		
D902	1SS355W-X	SI DIODE		
D941	1A3G-T1	SI DIODE		
D961	1N5401-F64	DIODE		
D994	CRS03-W	SB DIODE		
D996	CRS03-W	SB DIODE		
D5001	1SS355W-X	SI DIODE		
C1	QEKJ1AM-107Z	E CAPACITOR	100uF 10V M	
C2	NCB31EK-104X	C CAPACITOR	0.1uF 25V K	
C3	QEKJ1AM-107Z	E CAPACITOR	100uF 10V M	
C4	NCB31EK-104X	C CAPACITOR	0.1uF 25V K	
C5	NCB31EK-104X	C CAPACITOR	0.1uF 25V K	
C6	NCB31EK-104X	C CAPACITOR	0.1uF 25V K	
C81	QTE1E57-475Z	E CAPACITOR	4.7uF 25V	
C91	QTE1E57-475Z	E CAPACITOR	4.7uF 25V	
C141	NCB31EK-472X	C CAPACITOR	4700pF 25V K	AR870J
C142	QEKJ1HM-105Z	E CAPACITOR	1uF 50V M	AR870J
C143	QEKJ1HM-105Z	E CAPACITOR	1uF 50V M	AR870J
C144	NCB21CK-474X	C CAPACITOR	0.47uF 16V K	AR870J
C151	NCB31EK-472X	C CAPACITOR	4700pF 25V K	AR870J
C152	QEKJ1HM-105Z	E CAPACITOR	1uF 50V M	AR870J
C161	QTE1H57-105Z	E CAPACITOR	1uF 50V	
C162	QTE1H55-225Z	E CAPACITOR	2.2uF 50V	
C163	QEKJ1HM-105Z	E CAPACITOR	1uF 50V M	
C164	NCB21CK-474X	C CAPACITOR	0.47uF 16V K	
C165	NCB21CK-474X	C CAPACITOR	0.47uF 16V K	
C166	QEKJ1CM-106Z	E CAPACITOR	10uF 16V M	
C167	QTE1C57-106Z	E CAPACITOR	10uF 16V	
C168	NCB31CK-104X	C CAPACITOR	0.1uF 16V K	
C169	QTE1A57-107Z	E CAPACITOR	100uF 10V	
C171	QEKJ1HM-105Z	E CAPACITOR	1uF 50V M	
C172	QEKJ1HM-105Z	E CAPACITOR	1uF 50V M	
C173	QEKJ1CM-106Z	E CAPACITOR	10uF 16V M	
C174	NCB31CK-104X	C CAPACITOR	0.1uF 16V K	
C181	QTE1H57-105Z	E CAPACITOR	1uF 50V	
C182	QTE1H55-225Z	E CAPACITOR	2.2uF 50V	
C183	QEKJ1HM-105Z	E CAPACITOR	1uF 50V M	
C191	QEKJ1HM-105Z	E CAPACITOR	1uF 50V M	
C192	QEKJ1HM-105Z	E CAPACITOR	1uF 50V M	
C251	QEKJ0JM-476Z	E CAPACITOR	47uF 6.3V M	
C301	NFV81CM-105X	MF CAPACITOR	1uF 16V M	
C302	NFV81CM-105X	MF CAPACITOR	1uF 16V M	
C303	NDC31HJ-101X	C CAPACITOR	100pF 50V J	
C304	NDC31HJ-101X	C CAPACITOR	100pF 50V J	
C305	NCB31HK-472X	C CAPACITOR	4700pF 50V K	
C306	NCB31HK-472X	C CAPACITOR	4700pF 50V K	
C307	QEKJ1HM-225Z	E CAPACITOR	2.2uF 50V M	
C308	QERF1EM-475Z	E CAPACITOR	4.7uF 25V M	

△ Symbol No.	Part No.	Part Name	Description	Local	△ Symbol No.	Part No.	Part Name	Description	Local
C311	NFV81CM-105X	MF CAPACITOR	1uF 16V M		C562	QEKJ1CM-476Z	E CAPACITOR	47uF 16V M	
C312	NFV81CM-105X	MF CAPACITOR	1uF 16V M		C563	NCB31EK-104X	C CAPACITOR	0.1uF 25V K	
C313	NDC31HJ-101X	C CAPACITOR	100pF 50V J		C564	NDC31HJ-680X	C CAPACITOR	68pF 50V J	
C314	NDC31HJ-101X	C CAPACITOR	100pF 50V J		C565	NCB31EK-153X	C CAPACITOR	0.015uF 25V K	
C315	NCB31HK-472X	C CAPACITOR	4700pF 50V K		C566	NCB31EK-104X	C CAPACITOR	0.1uF 25V K	
C316	NCB31HK-472X	C CAPACITOR	4700pF 50V K		C567	NCB31EK-104X	C CAPACITOR	0.1uF 25V K	
C317	QTE1C57-476Z	E CAPACITOR	47uF 16V		C568	NCB31HK-472X	C CAPACITOR	4700pF 50V K	
C318	QERF1EM-475Z	E CAPACITOR	4.7uF 25V M		C569	NCB31HK-103X	C CAPACITOR	0.01uF 50V K	
C319	NCB31EK-473X	C CAPACITOR	0.047uF 25V K		C570	NCB31HK-103X	C CAPACITOR	0.01uF 50V K	
C320	NCB31EK-473X	C CAPACITOR	0.047uF 25V K		C571	NCB31EK-153X	C CAPACITOR	0.015uF 25V K	
C321	NCB31EK-473X	C CAPACITOR	0.047uF 25V K		C572	NDC31HJ-470X	C CAPACITOR	47pF 50V J	
C322	NCB31EK-473X	C CAPACITOR	0.047uF 25V K		C573	NCB31EK-333X	C CAPACITOR	0.033uF 25V K	
C361	QERF1EM-475Z	E CAPACITOR	4.7uF 25V M		C574	NCB31HK-103X	C CAPACITOR	0.01uF 50V K	
C362	QERF1EM-475Z	E CAPACITOR	4.7uF 25V M		C575	QEKJ1AM-107Z	E CAPACITOR	100uF 10V M	
C363	QERF1AM-227Z	E CAPACITOR	220uF 10V M		C576	NCB31HK-562X	C CAPACITOR	5600pF 50V K	
C364	NCB31HK-152X	C CAPACITOR	1500pF 50V K		C578	NCB31HK-103X	C CAPACITOR	0.01uF 50V K	
C365	QEKJ1HM-105Z	E CAPACITOR	1uF 50V M		C579	NCB31HK-103X	C CAPACITOR	0.01uF 50V K	
C366	QEKJ1HM-105Z	E CAPACITOR	1uF 50V M		C580	QTE1E57-475Z	E CAPACITOR	4.7uF 25V	
C371	QERF1AM-476Z	E CAPACITOR	47uF 10V M		C581	NDC31HJ-101X	C CAPACITOR	100pF 50V J	
C372	NCB31CK-104X	C CAPACITOR	0.1uF 16V K		C582	NDC31HJ-151X	C CAPACITOR	150pF 50V J	
C373	QERF1AM-227Z	E CAPACITOR	220uF 10V M		C583	QTE0J57-476Z	E CAPACITOR	47uF 6.3V	
C381	QERF1EM-475Z	E CAPACITOR	4.7uF 25V M		C584	NDC31HJ-821X	C CAPACITOR	820pF 50V J	
C382	QERF1EM-475Z	E CAPACITOR	4.7uF 25V M		C590	QTE1E57-475Z	E CAPACITOR	4.7uF 25V	
C383	QERF1AM-227Z	E CAPACITOR	220uF 10V M		C591	NDC31HJ-101X	C CAPACITOR	100pF 50V J	
C384	NCB31HK-152X	C CAPACITOR	1500pF 50V K		C592	NDC31HJ-151X	C CAPACITOR	150pF 50V J	
C385	QEKJ1HM-105Z	E CAPACITOR	1uF 50V M		C593	QTE0J57-476Z	E CAPACITOR	47uF 6.3V	
C386	QEKJ1HM-105Z	E CAPACITOR	1uF 50V M		C594	NDC31HJ-821X	C CAPACITOR	820pF 50V J	
C502	QEKJ1AM-107Z	E CAPACITOR	100uF 10V M		C596	QEKJ1AM-107Z	E CAPACITOR	100uF 10V M	
C503	QEKJ1CM-476Z	E CAPACITOR	47uF 16V M		C597	NCB31CK-104X	C CAPACITOR	0.1uF 16V K	
C504	NCB31HK-103X	C CAPACITOR	0.01uF 50V K		C701	QERF0JM-337Z	E CAPACITOR	330uF 6.3V M	
C509	NCB31EK-104X	C CAPACITOR	0.1uF 25V K		C702	NCB31HK-103X	C CAPACITOR	0.01uF 50V K	
C510	NCB31EK-104X	C CAPACITOR	0.1uF 25V K		C703	NDC31HJ-471X	C CAPACITOR	470pF 50V J	
C511	NCB31HK-103X	C CAPACITOR	0.01uF 50V K		C704	NCB31CK-104X	C CAPACITOR	0.1uF 16V K	
C512	NCB31HK-103X	C CAPACITOR	0.01uF 50V K		C705	NCB31EK-473X	C CAPACITOR	0.047uF 25V K	
C513	NCB31HK-103X	C CAPACITOR	0.01uF 50V K		C706	QERF0JM-337Z	E CAPACITOR	330uF 6.3V M	
C514	NCB31HK-103X	C CAPACITOR	0.01uF 50V K		C707	NCB31CK-104X	C CAPACITOR	0.1uF 16V K	
C515	NCB31EK-473X	C CAPACITOR	0.047uF 25V K		C708	NCB31CK-104X	C CAPACITOR	0.1uF 16V K	
C516	NCB31EK-473X	C CAPACITOR	0.047uF 25V K		C709	NCB31CK-104X	C CAPACITOR	0.1uF 16V K	
C517	NDC31HJ-121X	C CAPACITOR	120pF 50V J		C710	QERF1AM-227Z	E CAPACITOR	220uF 10V M	
C518	NCB31EK-473X	C CAPACITOR	0.047uF 25V K		C711	NCB31EK-473X	C CAPACITOR	0.047uF 25V K	
C519	NCB31EK-473X	C CAPACITOR	0.047uF 25V K		C712	NDC31HJ-101X	C CAPACITOR	100pF 50V J	
C521	NCB31EK-104X	C CAPACITOR	0.1uF 25V K		C713	NDC31HJ-8R0X	C CAPACITOR	8pF 50V J	
C522	QEKJ1AM-107Z	E CAPACITOR	100uF 10V M		C714	NDC31HJ-270X	C CAPACITOR	27pF 50V J	
C523	NCB31EK-104X	C CAPACITOR	0.1uF 25V K		C715	NDC31HJ-270X	C CAPACITOR	27pF 50V J	
C524	NCB31EK-104X	C CAPACITOR	0.1uF 25V K		C716	NDC31HJ-220X	C CAPACITOR	22pF 50V J	
C525	QEKJ1AM-107Z	E CAPACITOR	100uF 10V M		C717	QERF1AM-227Z	E CAPACITOR	220uF 10V M	
C526	QEKJ1AM-107Z	E CAPACITOR	100uF 10V M		C718	NCB31HK-103X	C CAPACITOR	0.01uF 50V K	
C527	NCB31HK-103X	C CAPACITOR	0.01uF 50V K		C719	QERF1AM-227Z	E CAPACITOR	220uF 10V M	
C528	QEKJ1AM-107Z	E CAPACITOR	100uF 10V M		C721	NCB31HK-223X	C CAPACITOR	0.022uF 50V K	
C529	NCB31HK-103X	C CAPACITOR	0.01uF 50V K		C722	NDC31HJ-102X	C CAPACITOR	1000pF 50V J	
C531	NCB31HK-102X	C CAPACITOR	1000pF 50V K		C723	QEKJ1AM-107Z	E CAPACITOR	100uF 10V M	
C532	NDC31HJ-271X	C CAPACITOR	270pF 50V J		C724	NCB31HK-103X	C CAPACITOR	0.01uF 50V K	
C533	NDC31HJ-271X	C CAPACITOR	270pF 50V J		C725	NCB31HK-102X	C CAPACITOR	1000pF 50V K	
C534	NCB31EK-273X	C CAPACITOR	0.027uF 25V K		C726	NCB31HK-103X	C CAPACITOR	0.01uF 50V K	
C535	NCB31HK-183X	C CAPACITOR	0.018uF 50V K		C781	NCB31CK-224X	C CAPACITOR	0.22uF 16V K	
C536	NCB31EK-104X	C CAPACITOR	0.1uF 25V K		C782	QEKJ0JM-107Z	E CAPACITOR	100uF 6.3V M	
C537	NCB31HK-222X	C CAPACITOR	2200pF 50V K		C783	QEKJ1CM-107Z	E CAPACITOR	100uF 16V M	
C538	QEKJ1CM-476Z	E CAPACITOR	47uF 16V M		C801	NCB31EK-473X	C CAPACITOR	0.047uF 25V K	
C541	NCB31HK-333X	C CAPACITOR	0.033uF 50V K		C802	NCB31EK-473X	C CAPACITOR	0.047uF 25V K	
C542	NCB31HK-333X	C CAPACITOR	0.033uF 50V K		C841	QEKJ1HM-105Z	E CAPACITOR	1uF 50V M	
C543	NCB31EK-104X	C CAPACITOR	0.1uF 25V K						
C544	NCB31EK-104X	C CAPACITOR	0.1uF 25V K		C851	NCB31EK-104X	C CAPACITOR	0.1uF 25V K	
C545	NCB31EK-104X	C CAPACITOR	0.1uF 25V K						
C546	NCB31EK-104X	C CAPACITOR	0.1uF 25V K		C852	NCB31CK-104X	C CAPACITOR	0.1uF 16V K	
C547	QEKJ1CM-476Z	E CAPACITOR	47uF 16V M		C881	QEKJ1CM-226Z	E CAPACITOR	22uF 16V M	
C548	NCB31EK-104X	C CAPACITOR	0.1uF 25V K						
C549	QEKJ1CM-226Z	E CAPACITOR	22uF 16V M						
C550	NCB31EK-104X	C CAPACITOR	0.1uF 25V K		C891	NCB31EK-104X	C CAPACITOR	0.1uF 25V K	
C551	NCB31EK-104X	C CAPACITOR	0.1uF 25V K						
C552	NCB31EK-104X	C CAPACITOR	0.1uF 25V K						
C554	NCB31EK-104X	C CAPACITOR	0.1uF 25V K		C901	QERF0JM-337Z	E CAPACITOR	330uF 6.3V M	
C555	NCB31EK-104X	C CAPACITOR	0.1uF 25V K		C902	QEKJ1AM-107Z	E CAPACITOR	100uF 10V M	
C556	NCB31EK-104X	C CAPACITOR	0.1uF 25V K		C903	NCB31HK-103X	C CAPACITOR	0.01uF 50V K	
C557	QEKJ1CM-476Z	E CAPACITOR	47uF 16V M		C904	NCB31CK-104X	C CAPACITOR	0.1uF 16V K	
C558	NCB31EK-104X	C CAPACITOR	0.1uF 25V K		C905	QEKJ1CM-226Z	E CAPACITOR	22uF 16V M	
C559	QEKJ1CM-476Z	E CAPACITOR	47uF 16V M		C906	NCB31HK-103X	C CAPACITOR	0.01uF 50V K	
C560	NCB31EK-104X	C CAPACITOR	0.1uF 25V K		C907	QEKJ1CM-106Z	E CAPACITOR	10uF 16V M	
C561	NCB31EK-104X	C CAPACITOR	0.1uF 25V K		C908	QEKJ1AM-107Z	E CAPACITOR	100uF 10V M	
					C909	QEKJ1CM-226Z	E CAPACITOR	22uF 16V M	

G824UI  
G825UJ  
G825UH  
G825UH  
G825UT

AR870J  
G824UI  
G825UJ  
G825UH  
G825UH  
G825UT

△ Symbol No.	Part No.	Part Name	Description	Local	△ Symbol No.	Part No.	Part Name	Description	Local
C910	NCB31AK-474X	C CAPACITOR	0.47uF 10V K		R321	NRSA63J-821X	MG RESISTOR	820Ω 1/16W J	
C911	QEKJ1CM-106Z	E CAPACITOR	10uF 16V M		R322	NRSA63J-181X	MG RESISTOR	180Ω 1/16W J	
C912	QEKJ1CM-106Z	E CAPACITOR	10uF 16V M		R323	NRSA63J-222X	MG RESISTOR	2.2kΩ 1/16W J	
C913	NCB31CK-104X	C CAPACITOR	0.1uF 16V K		R331	NRSA63J-821X	MG RESISTOR	820Ω 1/16W J	
C915	QEKJ1CM-106Z	E CAPACITOR	10uF 16V M		R332	NRSA63J-181X	MG RESISTOR	180Ω 1/16W J	
C916	NCB31CK-104X	C CAPACITOR	0.1uF 16V K		R333	NRSA63J-222X	MG RESISTOR	2.2kΩ 1/16W J	
C917	NCB31CK-104X	C CAPACITOR	0.1uF 16V K		R341	NRSA63J-821X	MG RESISTOR	820Ω 1/16W J	
C941	NCB31EK-104X	C CAPACITOR	0.1uF 25V K		R342	NRSA63J-181X	MG RESISTOR	180Ω 1/16W J	
C942	NCB31EK-104X	C CAPACITOR	0.1uF 25V K		R343	NRSA63J-222X	MG RESISTOR	2.2kΩ 1/16W J	
C943	QEKJ1CM-107Z	E CAPACITOR	100uF 16V M		R351	NRSA63J-821X	MG RESISTOR	820Ω 1/16W J	
C945	NCB31EK-104X	C CAPACITOR	0.1uF 25V K		R352	NRSA63J-181X	MG RESISTOR	180Ω 1/16W J	
C961	QEZ0723-338	E CAPACITOR	3300uF		R353	NRSA63J-222X	MG RESISTOR	2.2kΩ 1/16W J	
C962	QEKJ1CM-107Z	E CAPACITOR	100uF 16V M		R360	NRSA63J-102X	MG RESISTOR	1kΩ 1/16W J	
C978	QEKJ1HM-225Z	E CAPACITOR	2.2uF 50V M		R361	NRSA63J-104X	MG RESISTOR	100kΩ 1/16W J	
C991	NDC31HJ-471X	C CAPACITOR	470pF 50V J		R362	NRSA63J-102X	MG RESISTOR	1kΩ 1/16W J	
C992	NDC31HJ-471X	C CAPACITOR	470pF 50V J		R363	NRSA63J-104X	MG RESISTOR	100kΩ 1/16W J	
C993	NDC31HJ-471X	C CAPACITOR	470pF 50V J		R364	NRSA63J-333X	MG RESISTOR	33kΩ 1/16W J	
C994	NDC31HJ-471X	C CAPACITOR	470pF 50V J		R365	NRSA63J-223X	MG RESISTOR	22kΩ 1/16W J	
C995	NDC31HJ-471X	C CAPACITOR	470pF 50V J		R366	NRSA63J-473X	MG RESISTOR	47kΩ 1/16W J	
C996	NDC31HJ-471X	C CAPACITOR	470pF 50V J		R367	NRSA63J-473X	MG RESISTOR	47kΩ 1/16W J	
C997	NDC31HJ-471X	C CAPACITOR	470pF 50V J		R370	NRSA63J-333X	MG RESISTOR	33kΩ 1/16W J	
C998	NDC31HJ-471X	C CAPACITOR	470pF 50V J		R371	NRSA63J-223X	MG RESISTOR	22kΩ 1/16W J	
C5001	NCB31CK-104X	C CAPACITOR	0.1uF 16V K		R380	NRSA63J-102X	MG RESISTOR	1kΩ 1/16W J	
C5002	NDC31HJ-270X	C CAPACITOR	27pF 50V J		R381	NRSA63J-104X	MG RESISTOR	100kΩ 1/16W J	
C5003	NDC31HJ-270X	C CAPACITOR	27pF 50V J		R382	NRSA63J-102X	MG RESISTOR	1kΩ 1/16W J	
C5004	QTE1A57-107Z	E CAPACITOR	100uF 10V		R383	NRSA63J-104X	MG RESISTOR	100kΩ 1/16W J	
C5005	NCB31CK-104X	C CAPACITOR	0.1uF 16V K		R384	NRSA63J-333X	MG RESISTOR	33kΩ 1/16W J	
C5006	NCB31HK-123X	C CAPACITOR	0.012uF 50V K		R385	NRSA63J-223X	MG RESISTOR	22kΩ 1/16W J	
C5007	QTE0J57-476Z	E CAPACITOR	47uF 6.3V		R386	NRSA63J-473X	MG RESISTOR	47kΩ 1/16W J	
C5008	NCB31CK-104X	C CAPACITOR	0.1uF 16V K		R387	NRSA63J-473X	MG RESISTOR	47kΩ 1/16W J	
C5010	NCB31CK-104X	C CAPACITOR	0.1uF 16V K		R390	NRSA63J-333X	MG RESISTOR	33kΩ 1/16W J	
					R391	NRSA63J-223X	MG RESISTOR	22kΩ 1/16W J	
R2	NRSA63J-102X	MG RESISTOR	1kΩ 1/16W J		R392	NRSA02J-100X	MG RESISTOR	10Ω 1/10W J	
R3	NRSA63J-473X	MG RESISTOR	47kΩ 1/16W J		R502	NRSA02J-0R0X	MG RESISTOR	0Ω 1/10W J	
R4	NRSA63J-473X	MG RESISTOR	47kΩ 1/16W J		R503	NRSA02J-0R0X	MG RESISTOR	0Ω 1/10W J	
R5	NRSA63J-472X	MG RESISTOR	4.7kΩ 1/16W J		R504	NRSA63J-822X	MG RESISTOR	8.2kΩ 1/16W J	
R6	NRSA63J-472X	MG RESISTOR	4.7kΩ 1/16W J		R505	NRSA63J-512X	MG RESISTOR	5.1kΩ 1/16W J	
R8	NRSA63J-102X	MG RESISTOR	1kΩ 1/16W J		R511	NRSA63J-103X	MG RESISTOR	10kΩ 1/16W J	
R9	NRS181J-120X	MG RESISTOR	12Ω 1/8W J		R512	NRSA63J-752X	MG RESISTOR	7.5kΩ 1/16W J	
R10	NRSA63J-332X	MG RESISTOR	3.3kΩ 1/16W J		R513	NRSA63J-332X	MG RESISTOR	3.3kΩ 1/16W J	
R11	NRS181J-120X	MG RESISTOR	12Ω 1/8W J		R514	NRSA63J-103X	MG RESISTOR	10kΩ 1/16W J	
R81	NRSA63J-123X	MG RESISTOR	12kΩ 1/16W J		R515	NRSA63J-682X	MG RESISTOR	6.8kΩ 1/16W J	
R82	NRSA63J-302X	MG RESISTOR	3kΩ 1/16W J	AR870J G820J G824UI G825U G825UN G825UH G825UT	R518	NRSA63J-302X	MG RESISTOR	3kΩ 1/16W J	
					R519	NRSA63J-123X	MG RESISTOR	12kΩ 1/16W J	
R82	NRSA63J-512X	MG RESISTOR	5.1kΩ 1/16W J		R520	NRSA63J-822X	MG RESISTOR	8.2kΩ 1/16W J	
					R521	NRSA63J-152X	MG RESISTOR	1.5kΩ 1/16W J	
R91	NRSA63J-123X	MG RESISTOR	12kΩ 1/16W J		R522	NRSA63J-152X	MG RESISTOR	1.5kΩ 1/16W J	
R92	NRSA63J-302X	MG RESISTOR	3kΩ 1/16W J	AR870J G820J G824UI G825U G825UN G825UH G825UT	R523	NRSA63J-152X	MG RESISTOR	1.5kΩ 1/16W J	
					R524	NRSA63J-151X	MG RESISTOR	150Ω 1/16W J	
R92	NRSA63J-512X	MG RESISTOR	5.1kΩ 1/16W J		R525	NRS181J-101X	MG RESISTOR	100Ω 1/8W J	
					R526	NRS181J-101X	MG RESISTOR	100Ω 1/8W J	
					R527	NRSA63J-473X	MG RESISTOR	47kΩ 1/16W J	
R141	NRSA63J-473X	MG RESISTOR	47kΩ 1/16W J	AR870J	R528	NRSA63J-102X	MG RESISTOR	1kΩ 1/16W J	
R143	NRSA63J-101X	MG RESISTOR	100Ω 1/16W J	AR870J	R529	NRSA63J-102X	MG RESISTOR	1kΩ 1/16W J	
R151	NRSA63J-473X	MG RESISTOR	47kΩ 1/16W J	AR870J	R530	NRSA63J-105X	MG RESISTOR	1MΩ 1/16W J	
R152	NRSA63J-101X	MG RESISTOR	100Ω 1/16W J	AR870J	R532	NRSA63J-221X	MG RESISTOR	220Ω 1/16W J	
R163	NRSA63J-0R0X	MG RESISTOR	0Ω 1/16W J		R533	NRSA63J-103X	MG RESISTOR	10kΩ 1/16W J	
R164	NRSA63J-222X	MG RESISTOR	2.2kΩ 1/16W J		R534	NRSA63J-103X	MG RESISTOR	10kΩ 1/16W J	
R165	NRSA63J-222X	MG RESISTOR	2.2kΩ 1/16W J		R535	NRSA63J-103X	MG RESISTOR	10kΩ 1/16W J	
R166	NRS181J-120X	MG RESISTOR	12Ω 1/8W J		R536	NRSA63J-103X	MG RESISTOR	10kΩ 1/16W J	
R167	NRSA63J-102X	MG RESISTOR	1kΩ 1/16W J		R537	NRSA63J-103X	MG RESISTOR	10kΩ 1/16W J	
R168	NRSA63J-102X	MG RESISTOR	1kΩ 1/16W J		R538	NRSA63J-103X	MG RESISTOR	10kΩ 1/16W J	
R193	NRSA63J-222X	MG RESISTOR	2.2kΩ 1/16W J		R539	NRSA63J-103X	MG RESISTOR	10kΩ 1/16W J	
R194	NRSA02J-100X	MG RESISTOR	10Ω 1/10W J		R540	NRSA63J-103X	MG RESISTOR	10kΩ 1/16W J	
R195	NRSA63J-222X	MG RESISTOR	2.2kΩ 1/16W J		R541	NRSA63J-101X	MG RESISTOR	100Ω 1/16W J	
R260	NRSA63J-473X	MG RESISTOR	47kΩ 1/16W J		R542	NRSA63J-103X	MG RESISTOR	10kΩ 1/16W J	
R261	NRSA63J-821X	MG RESISTOR	820Ω 1/16W J		R543	NRSA63J-101X	MG RESISTOR	100Ω 1/16W J	
R262	NRSA63J-181X	MG RESISTOR	180Ω 1/16W J		R544	NRSA63J-101X	MG RESISTOR	100Ω 1/16W J	
R263	NRSA63J-472X	MG RESISTOR	4.7kΩ 1/16W J		R545	NRSA63J-104X	MG RESISTOR	100kΩ 1/16W J	
R301	NRSA63J-102X	MG RESISTOR	1kΩ 1/16W J		R546	NRSA63J-104X	MG RESISTOR	100kΩ 1/16W J	
R302	NRSA63J-102X	MG RESISTOR	1kΩ 1/16W J		R547	NRSA63J-472X	MG RESISTOR	4.7kΩ 1/16W J	
R307	NRSA63J-103X	MG RESISTOR	10kΩ 1/16W J		R548	NRSA63J-562X	MG RESISTOR	5.6kΩ 1/16W J	
R308	NRSA63J-102X	MG RESISTOR	1kΩ 1/16W J		R549	NRSA63J-154X	MG RESISTOR	150kΩ 1/16W J	
R309	NRSA63J-103X	MG RESISTOR	10kΩ 1/16W J		R550	NRSA63J-334X	MG RESISTOR	330kΩ 1/16W J	
R310	NRSA63J-473X	MG RESISTOR	47kΩ 1/16W J		R551	NRSA63J-473X	MG RESISTOR	47kΩ 1/16W J	
R311	NRSA63J-102X	MG RESISTOR	1kΩ 1/16W J		R552	NRSA63J-153X	MG RESISTOR	15kΩ 1/16W J	
R312	NRSA63J-102X	MG RESISTOR	1kΩ 1/16W J		R553	NRSA63J-223X	MG RESISTOR	22kΩ 1/16W J	
R317	NRSA63J-101X	MG RESISTOR	100Ω 1/16W J		R556	NRSA63J-0R0X	MG RESISTOR	0Ω 1/16W J	



△ Symbol No.	Part No.	Part Name	Description	Local	△ Symbol No.	Part No.	Part Name	Description	Local
R557	NRSA63J-0R0X	MG RESISTOR	0Ω 1/16W J		R745	NRSA63J-102X	MG RESISTOR	1kΩ 1/16W J	
R560	NRSA63J-104X	MG RESISTOR	100kΩ 1/16W J		R746	NRSA63J-392X	MG RESISTOR	3.9kΩ 1/16W J	
R561	NRSA63J-101X	MG RESISTOR	100Ω 1/16W J		R747	NRSA63J-392X	MG RESISTOR	3.9kΩ 1/16W J	
R562	NRSA63J-101X	MG RESISTOR	100Ω 1/16W J		R748	NRSA63J-392X	MG RESISTOR	3.9kΩ 1/16W J	
R563	NRSA63J-101X	MG RESISTOR	100Ω 1/16W J		R749	NRSA63J-102X	MG RESISTOR	1kΩ 1/16W J	
R564	NRSA63J-101X	MG RESISTOR	100Ω 1/16W J		R751	NRSA63J-102X	MG RESISTOR	1kΩ 1/16W J	
R565	NRSA63J-101X	MG RESISTOR	100Ω 1/16W J		R753	NRSA63J-331X	MG RESISTOR	330Ω 1/16W J	
R566	NRSA63J-101X	MG RESISTOR	100Ω 1/16W J		R755	NRSA63J-331X	MG RESISTOR	330Ω 1/16W J	
R567	NRSA63J-101X	MG RESISTOR	100Ω 1/16W J						AR870J
R568	NRSA63J-223X	MG RESISTOR	22kΩ 1/16W J		R757	NRSA63J-102X	MG RESISTOR	1kΩ 1/16W J	G824UI
R569	NRSA63J-473X	MG RESISTOR	47kΩ 1/16W J						G825UJ
R570	NRSA63J-103X	MG RESISTOR	10kΩ 1/16W J						G825UN
R571	NRSA63J-103X	MG RESISTOR	10kΩ 1/16W J		R758	NRSA63J-102X	MG RESISTOR	1kΩ 1/16W J	G825UH
R572	NRSA63J-103X	MG RESISTOR	10kΩ 1/16W J		R759	NRSA63J-102X	MG RESISTOR	1kΩ 1/16W J	G825UT
R573	NRSA63J-103X	MG RESISTOR	10kΩ 1/16W J		R760	NRSA63J-103X	MG RESISTOR	10kΩ 1/16W J	
R574	NRSA63J-103X	MG RESISTOR	10kΩ 1/16W J		R761	NRSA63J-102X	MG RESISTOR	1kΩ 1/16W J	
R575	NRSA63J-103X	MG RESISTOR	10kΩ 1/16W J		R762	NRSA63J-0R0X	MG RESISTOR	0Ω 1/16W J	
R576	NRSA63J-103X	MG RESISTOR	10kΩ 1/16W J		R763	NRSA63J-122X	MG RESISTOR	1.2kΩ 1/16W J	
R577	NRSA02J-220X	MG RESISTOR	22Ω 1/10W J		R764	NRSA63J-102X	MG RESISTOR	1kΩ 1/16W J	
R578	NRSA02J-220X	MG RESISTOR	22Ω 1/10W J		R765	NRSA63J-102X	MG RESISTOR	1kΩ 1/16W J	
R579	NRSA63J-103X	MG RESISTOR	10kΩ 1/16W J		R766	NRSA63J-473X	MG RESISTOR	47kΩ 1/16W J	
R580	NRSA02J-100X	MG RESISTOR	10Ω 1/10W J		R768	NRSA63J-102X	MG RESISTOR	1kΩ 1/16W J	
R581	NRSA63J-0R0X	MG RESISTOR	0Ω 1/16W J		R769	NRSA63J-473X	MG RESISTOR	47kΩ 1/16W J	
R583	NRSA63J-243X	MG RESISTOR	24kΩ 1/16W J		R771	NRSA63J-102X	MG RESISTOR	1kΩ 1/16W J	
R585	NRSA63J-273X	MG RESISTOR	27kΩ 1/16W J		R772	NRSA63J-473X	MG RESISTOR	47kΩ 1/16W J	
R586	NRSA63J-822X	MG RESISTOR	8.2kΩ 1/16W J						AR870J
R587	NRSA63J-103X	MG RESISTOR	10kΩ 1/16W J						G820J
R588	NRSA63J-103X	MG RESISTOR	10kΩ 1/16W J		R773	NRSA63J-473X	MG RESISTOR	47kΩ 1/16W J	G824UI
R589	NRSA63J-152X	MG RESISTOR	1.5kΩ 1/16W J						G825UJ
R591	NRSA63J-0R0X	MG RESISTOR	0Ω 1/16W J						G825UN
R593	NRSA63J-243X	MG RESISTOR	24kΩ 1/16W J		R774	NRSA63J-473X	MG RESISTOR	47kΩ 1/16W J	G825UH
R595	NRSA63J-273X	MG RESISTOR	27kΩ 1/16W J						G825UT
R596	NRSA63J-822X	MG RESISTOR	8.2kΩ 1/16W J						AR870J
R597	NRSA63J-103X	MG RESISTOR	10kΩ 1/16W J		R775	NRSA63J-473X	MG RESISTOR	47kΩ 1/16W J	G824UI
R598	NRSA63J-103X	MG RESISTOR	10kΩ 1/16W J		R776	NRSA63J-101X	MG RESISTOR	100Ω 1/16W J	G825UJ
R599	NRSA63J-152X	MG RESISTOR	1.5kΩ 1/16W J		R777	NRSA63J-101X	MG RESISTOR	100Ω 1/16W J	G825UN
					R778	NRSA63J-101X	MG RESISTOR	100Ω 1/16W J	G825UH
R701	NRSA63J-102X	MG RESISTOR	1kΩ 1/16W J	G824UI G825UJ G825UH G825UT	R779	NRSA63J-103X	MG RESISTOR	10kΩ 1/16W J	G825UT
R702	NRSA63J-821X	MG RESISTOR	820Ω 1/16W J		R780	NRSA63J-101X	MG RESISTOR	100Ω 1/16W J	
R703	NRSA63J-473X	MG RESISTOR	47kΩ 1/16W J		R781	NRSA63J-101X	MG RESISTOR	100Ω 1/16W J	
R704	NRSA63J-106X	MG RESISTOR	10MΩ 1/16W J		R782	NRSA63J-101X	MG RESISTOR	100Ω 1/16W J	
R705	NRSA63J-103X	MG RESISTOR	10kΩ 1/16W J		R783	NRSA63J-101X	MG RESISTOR	100Ω 1/16W J	
R706	NRSA63J-472X	MG RESISTOR	4.7kΩ 1/16W J		R784	NRSA63J-102X	MG RESISTOR	1kΩ 1/16W J	AR870J
R707	NRSA63J-473X	MG RESISTOR	47kΩ 1/16W J		R785	NRSA63J-473X	MG RESISTOR	47kΩ 1/16W J	AR870J
R708	NRSA63J-102X	MG RESISTOR	1kΩ 1/16W J		R786	NRSA63J-473X	MG RESISTOR	47kΩ 1/16W J	
R709	NRSA63J-102X	MG RESISTOR	1kΩ 1/16W J		R787	NRSA63J-102X	MG RESISTOR	1kΩ 1/16W J	
R710	NRSA63J-222X	MG RESISTOR	2.2kΩ 1/16W J		R788	NRSA63J-102X	MG RESISTOR	1kΩ 1/16W J	
R711	NRSA63J-473X	MG RESISTOR	47kΩ 1/16W J		R789	NRSA63J-101X	MG RESISTOR	100Ω 1/16W J	
R712	NRSA63J-101X	MG RESISTOR	100Ω 1/16W J		R790	NRSA63J-473X	MG RESISTOR	47kΩ 1/16W J	
R713	NRSA63J-473X	MG RESISTOR	47kΩ 1/16W J		R791	NRSA63J-682X	MG RESISTOR	6.8kΩ 1/16W J	
R714	NRSA63J-473X	MG RESISTOR	47kΩ 1/16W J		R792	NRSA63J-682X	MG RESISTOR	6.8kΩ 1/16W J	
R716	NRSA63J-101X	MG RESISTOR	100Ω 1/16W J		R793	NRSA63J-682X	MG RESISTOR	6.8kΩ 1/16W J	
R717	NRSA63J-103X	MG RESISTOR	10kΩ 1/16W J		R794	NRSA02J-911X	MG RESISTOR	910Ω 1/10W J	
R718	NRSA63J-103X	MG RESISTOR	10kΩ 1/16W J		R795	NRSA02J-911X	MG RESISTOR	910Ω 1/10W J	
R719	NRSA63J-473X	MG RESISTOR	47kΩ 1/16W J		R797	NRSA63J-102X	MG RESISTOR	1kΩ 1/16W J	
R721	NRSA63J-102X	MG RESISTOR	1kΩ 1/16W J		R798	NRSA63J-181X	MG RESISTOR	180Ω 1/16W J	
R722	NRSA63J-473X	MG RESISTOR	47kΩ 1/16W J		R801	NRSA63J-223X	MG RESISTOR	22kΩ 1/16W J	
R723	NRSA63J-242X	MG RESISTOR	2.4kΩ 1/16W J		R802	NRSA63J-104X	MG RESISTOR	100kΩ 1/16W J	
R724	NRSA63J-473X	MG RESISTOR	47kΩ 1/16W J		R803	NRSA63J-101X	MG RESISTOR	100Ω 1/16W J	
R725	NRSA63J-242X	MG RESISTOR	2.4kΩ 1/16W J		R804	NRSA63J-473X	MG RESISTOR	47kΩ 1/16W J	
R726	NRSA63J-473X	MG RESISTOR	47kΩ 1/16W J		R805	NRSA63J-103X	MG RESISTOR	10kΩ 1/16W J	
R727	NRSA63J-473X	MG RESISTOR	47kΩ 1/16W J		R806	NRSA63J-104X	MG RESISTOR	100kΩ 1/16W J	
R728	NRSA63J-0R0X	MG RESISTOR	0Ω 1/16W J		R807	NRSA63J-331X	MG RESISTOR	330Ω 1/16W J	
R730	NRSA63J-0R0X	MG RESISTOR	0Ω 1/16W J		R808	NRSA63J-101X	MG RESISTOR	100Ω 1/16W J	
R732	NRSA63J-473X	MG RESISTOR	47kΩ 1/16W J		R809	NRSA63J-223X	MG RESISTOR	22kΩ 1/16W J	
R733	NRSA63J-102X	MG RESISTOR	1kΩ 1/16W J		R810	NRSA63J-473X	MG RESISTOR	47kΩ 1/16W J	
R734	NRSA63J-102X	MG RESISTOR	1kΩ 1/16W J		R841	NRSA63J-332X	MG RESISTOR	3.3kΩ 1/16W J	
R735	NRSA63J-103X	MG RESISTOR	10kΩ 1/16W J						G824UI
R736	NRSA63J-103X	MG RESISTOR	10kΩ 1/16W J		R851	NRSA63J-472X	MG RESISTOR	4.7kΩ 1/16W J	G825UJ
R737	NRSA63J-271X	MG RESISTOR	270Ω 1/16W J						G825UN
R738	NRSA63J-271X	MG RESISTOR	270Ω 1/16W J		R852	NRS181J-102X	MG RESISTOR	1kΩ 1/8W J	G825UH
R739	NRSA63J-103X	MG RESISTOR	10kΩ 1/16W J		R881	NRSA63J-104X	MG RESISTOR	100kΩ 1/16W J	G825UT
R740	NRSA63J-473X	MG RESISTOR	47kΩ 1/16W J		R882	NRSA63J-472X	MG RESISTOR	4.7kΩ 1/16W J	
R741	NRSA63J-103X	MG RESISTOR	10kΩ 1/16W J		R883	NRSA63J-473X	MG RESISTOR	47kΩ 1/16W J	
R742	NRSA63J-473X	MG RESISTOR	47kΩ 1/16W J						AR870J
R743	NRSA63J-122X	MG RESISTOR	1.2kΩ 1/16W J		R892	NRSA63J-473X	MG RESISTOR	47kΩ 1/16W J	G824UI
R744	NRSA63J-122X	MG RESISTOR	1.2kΩ 1/16W J						G825UJ
									G825UN
									G825UH
									G825UT

△ Symbol No. Part No. Part Name Description Local

## Main board (KD-G821)

Block No. [0][2]

△ Symbol No.	Part No.	Part Name	Description	Local
R893	NRSA63J-102X	MG RESISTOR	1kΩ 1/16W J	
R901	NRSA63J-473X	MG RESISTOR	47kΩ 1/16W J	
R902	NRSA63J-562X	MG RESISTOR	5.6kΩ 1/16W J	
R903	NRSA63J-102X	MG RESISTOR	1kΩ 1/16W J	
R904	NRSA63J-103X	MG RESISTOR	10kΩ 1/16W J	
R905	NRSA63J-473X	MG RESISTOR	47kΩ 1/16W J	
R906	NRSA63J-473X	MG RESISTOR	47kΩ 1/16W J	
R941	NRSA63J-103X	MG RESISTOR	10kΩ 1/16W J	
R976	NRSA63J-682X	MG RESISTOR	6.8kΩ 1/16W J	
R977	NRSA63J-183X	MG RESISTOR	18kΩ 1/16W J	
R978	QRE142J-102X	C RESISTOR	1kΩ 1/4W J	
R979	NRSA63J-912X	MG RESISTOR	9.1kΩ 1/16W J	
R980	NRSA63J-472X	MG RESISTOR	4.7kΩ 1/16W J	
R5001	NRSA63J-101X	MG RESISTOR	100Ω 1/16W J	
R5002	NRSA63J-225X	MG RESISTOR	2.2MΩ 1/16W J	
R5003	NRSA63J-102X	MG RESISTOR	1kΩ 1/16W J	
R5006	NRSA63J-122X	MG RESISTOR	1.2kΩ 1/16W J	
R5007	NRSA63J-470X	MG RESISTOR	47Ω 1/16W J	
R5008	NRSA63J-470X	MG RESISTOR	47Ω 1/16W J	
R5009	NRSA63J-470X	MG RESISTOR	47Ω 1/16W J	
R5010	NRSA63J-101X	MG RESISTOR	100Ω 1/16W J	
R5011	NRSA63J-101X	MG RESISTOR	100Ω 1/16W J	
R5012	NRSA63J-101X	MG RESISTOR	100Ω 1/16W J	
R5015	NRSA63J-103X	MG RESISTOR	10kΩ 1/16W J	
R5016	NRSA63J-473X	MG RESISTOR	47kΩ 1/16W J	
R535A	NRSA63J-332X	MG RESISTOR	3.3kΩ 1/16W J	
R7001	NRSA02J-911X	MG RESISTOR	910Ω 1/10W J	
R7002	NRSA02J-911X	MG RESISTOR	910Ω 1/10W J	
R7003	NRSA63J-102X	MG RESISTOR	1kΩ 1/16W J	
RA701	NRZ0065-102X	MG RESISTOR	1kΩ	
L1	QQL244J-4R7Z	COIL	4.7uH J	
L571	NQL114K-470X	COIL	47uH K	
L572	NQL114K-470X	COIL	47uH K	
L701	QQL244J-470Z	COIL	47uH J	
L702	NQL79GM-470X	COIL	47uH M	
L703	NQL79GM-470X	COIL	47uH M	
L704	NQL114M-1R0X	COIL	1uH M	
L706	NQL79GM-470X	COIL	47uH M	
L961	QQR1378-002	CHOKE COIL		
L5002	NQL79GM-470X	COIL	47uH M	
L5003	NQL093K-1R8X	COIL	1.8uH K	
L5004	NQL093K-1R8X	COIL	1.8uH K	
B304	NRZ0084-0R0X	MG RESISTOR	0Ω	AR870J
B501	NRSA02J-0R0X	MG RESISTOR	0Ω 1/10W J	AR870J
B502	NRSA02J-0R0X	MG RESISTOR	0Ω 1/10W J	AR870J
BZ841	QAN0023-001Z	BUZZER		
CN141	QGA2006C1-04	CONNECTOR	W-B (1-4)	AR870J
CN501	QGB2027M4-22S	CONNECTOR	B-B (1-22)	
CN701	QNZ0605-001	CAR CONNECTOR		
CN702	QGB1004J2-16X	CONNECTOR	B-B (1-16)	
CN703	WJK0224-001A-E	2PIN CABLE		
CN901	QNZ0611-001	16P CONNECTOR		
J1	QAM0105-003	CAR CABLE		
J321	QNN0748-001	PIN JACK		
J801	QNZ0095-001	CIR CONNECTOR		
S701	QSW0451-001	DETECT SW		
S702	QSW0451-001	DETECT SW		
S703	QSW1049-001Z	TACT SW		
TU1	QAU0451-001	TUNER		
X701	QAX0617-001Z	CRYSTAL		
X702	QAX0401-001	CRYSTAL		
X5001	NAX0375-001X	CRYSTAL		

△ Symbol No.	Part No.	Part Name	Description	Local
IC71	LC72725NM-X	IC		
IC161	TDA7419-X	IC		
IC162	CD4066BPW-X	IC		
IC301	TB2904HQ	IC		
IC361	NJM2792V-X	IC		
IC501	LA6242H-X	BTL DRIVER IC		
IC502	SN74AHC04PW-X	IC		
IC503	PCM1780-X	DAC(BB)		
IC541	TC94A70FG	IC		
IC561	SN74CBT3245AP-X	LOGIC IC		
IC571	NJU7772F15-X	1.5V REGULATOR		
IC581	NJM4580M-X	IC		
IC701	UPD784218AGC326	IC		
IC702	S-80833CNNB-G-W	IC		
IC703	BR24L32F-W-X	IC(EEPROM)		
IC704	SN74AHCT1G08V-X	IC		
IC801	SN74AHC126NS-X	IC		
IC901	AN80T71	REGULATOR IC		
IC902	NJU7241F33-X	IC		
IC903	NJU7241F33-X	IC		
IC941	BA05CC0WT-V5	IC REGULATOR		
Q1	RT1N141C-X	TRANSISTOR		
Q191	RT1N141C-X	TRANSISTOR		
Q192	RT1N141C-X	TRANSISTOR		
Q251	KTD1304-X	TRANSISTOR		
Q252	RT1P141C-X	TRANSISTOR		
Q301	RT1N141C-X	TRANSISTOR		
Q321	KTD1304-X	TRANSISTOR		
Q331	KTD1304-X	TRANSISTOR		
Q341	KTD1304-X	TRANSISTOR		
Q351	KTD1304-X	TRANSISTOR		
Q502	2SA1705/ST/-T	TRANSISTOR		
Q571	2SA1708/ST/-T	TRANSISTOR		
Q581	2SA1365/F/-X	TRANSISTOR		
Q582	RT1N141C-X	TRANSISTOR		
Q781	RT1P141C-X	TRANSISTOR		
Q782	RT1P141C-X	TRANSISTOR		
Q841	RT1N141C-X	TRANSISTOR		
Q881	2SC3928A/QR/-X	TRANSISTOR		
Q891	RT1N141C-X	TRANSISTOR		
Q901	2SA1365/F/-X	TRANSISTOR		
Q902	RT1N141C-X	TRANSISTOR		
Q976	RT1N441C-X	TRANSISTOR		
Q977	2SA1530A/QR/-X	TRANSISTOR		
Q5001	2SA1530A/R/-X	TRANSISTOR		
Q5002	RT1N141C-X	TRANSISTOR		
Q5003	RT1N141C-X	TRANSISTOR		
D1	1SS355W-X	SI DIODE		
D2	1SS355W-X	SI DIODE		
D161	UDZW6.2B-X	DIODE		
D162	UDZW6.2B-X	DIODE		
D251	1SS355W-X	SI DIODE		
D253	1SS355W-X	SI DIODE		
D301	1SS355W-X	SI DIODE		
D302	1SS355W-X	SI DIODE		
D321	MC2836-X	DOUBLE DIODE		
D341	MC2836-X	DOUBLE DIODE		
D501	1A3G-T1	SI DIODE		
D502	1SS355W-X	SI DIODE		
D503	1SS355W-X	SI DIODE		
D701	1SS355W-X	SI DIODE		
D702	UDZW6.2B-X	DIODE		
D703	UDZW6.2B-X	DIODE		
D704	UDZW6.2B-X	DIODE		
D705	UDZW6.2B-X	DIODE		
D706	UDZW6.2B-X	DIODE		
D707	UDZW6.2B-X	DIODE		
D708	UDZW6.2B-X	DIODE		
D709	MC2838-X	DOUBLE DIODE		
D710	MC2838-X	DOUBLE DIODE		
D711	SLR-56VC3F	DIODE C.M		
D714	UDZW6.2B-X	DIODE		

△ Symbol No.	Part No.	Part Name	Description	Local	△ Symbol No.	Part No.	Part Name	Description	Local
D715	UDZW5.1B-X	SI DIODE			C381	QERF1EM-475Z	E CAPACITOR	4.7uF 25V M	
D781	1SS355W-X	SI DIODE			C382	QERF1EM-475Z	E CAPACITOR	4.7uF 25V M	
D782	UDZW11B-X	Z DIODE			C383	QERF1AM-227Z	E CAPACITOR	220uF 10V M	
D853	CRS03-W	SB DIODE			C384	NCB31HK-152X	C CAPACITOR	1500pF 50V K	
D854	CRS03-W	SB DIODE			C385	QEKJ1HM-105Z	E CAPACITOR	1uF 50V M	
D891	MC2836-X	DOUBLE DIODE			C386	QEKJ1HM-105Z	E CAPACITOR	1uF 50V M	
D901	1SS355W-X	SI DIODE			C502	QEKJ1AM-107Z	E CAPACITOR	100uF 10V M	
D902	1SS355W-X	SI DIODE			C503	QEKJ1CM-476Z	E CAPACITOR	47uF 16V M	
D941	1A3G-T1	SI DIODE			C504	NCB31HK-103X	C CAPACITOR	0.01uF 50V K	
D961	1N5401-F64	DIODE			C509	NCB31EK-104X	C CAPACITOR	0.1uF 25V K	
D994	CRS03-W	SB DIODE			C510	NCB31EK-104X	C CAPACITOR	0.1uF 25V K	
D996	CRS03-W	SB DIODE			C511	NCB31HK-103X	C CAPACITOR	0.01uF 50V K	
D5001	1SS355W-X	SI DIODE			C512	NCB31HK-103X	C CAPACITOR	0.01uF 50V K	
					C513	NCB31HK-103X	C CAPACITOR	0.01uF 50V K	
C1	QEKJ1AM-107Z	E CAPACITOR	100uF 10V M		C514	NCB31HK-103X	C CAPACITOR	0.01uF 50V K	
C2	NCB31EK-104X	C CAPACITOR	0.1uF 25V K		C515	NCB31EK-473X	C CAPACITOR	0.047uF 25V K	
C3	QEKJ1AM-107Z	E CAPACITOR	100uF 10V M		C516	NCB31EK-473X	C CAPACITOR	0.047uF 25V K	
C4	NCB31EK-104X	C CAPACITOR	0.1uF 25V K		C517	NDC31HJ-121X	C CAPACITOR	120pF 50V J	
C5	NCB31EK-104X	C CAPACITOR	0.1uF 25V K		C518	NCB31EK-473X	C CAPACITOR	0.047uF 25V K	
C6	NCB31EK-104X	C CAPACITOR	0.1uF 25V K		C519	NCB31EK-473X	C CAPACITOR	0.047uF 25V K	
C71	QEKJ1CM-106Z	E CAPACITOR	10uF 16V M		C521	NCB31EK-104X	C CAPACITOR	0.1uF 25V K	
C72	NDC31HJ-331X	C CAPACITOR	330pF 50V J		C522	QEKJ1AM-107Z	E CAPACITOR	100uF 10V M	
C73	NDC31HJ-561X	C CAPACITOR	560pF 50V J		C523	NCB31EK-104X	C CAPACITOR	0.1uF 25V K	
C74	NCB31HK-103X	C CAPACITOR	0.01uF 50V K		C524	NCB31EK-104X	C CAPACITOR	0.1uF 25V K	
C75	QEKJ0JM-476Z	E CAPACITOR	47uF 6.3V M		C525	QEKJ1AM-107Z	E CAPACITOR	100uF 10V M	
C76	NDC31HJ-330X	C CAPACITOR	33pF 50V J		C526	QEKJ1AM-107Z	E CAPACITOR	100uF 10V M	
C77	NDC31HJ-330X	C CAPACITOR	33pF 50V J		C527	NCB31HK-103X	C CAPACITOR	0.01uF 50V K	
C78	NCB31HK-104X	C CAPACITOR	0.1uF 50V K		C528	QEKJ1AM-107Z	E CAPACITOR	100uF 10V M	
C81	QTE1E57-475Z	E CAPACITOR	4.7uF 25V		C529	NCB31HK-103X	C CAPACITOR	0.01uF 50V K	
C91	QTE1E57-475Z	E CAPACITOR	4.7uF 25V		C531	NCB31HK-102X	C CAPACITOR	1000pF 50V K	
C161	QTE1H57-105Z	E CAPACITOR	1uF 50V		C532	NDC31HJ-271X	C CAPACITOR	270pF 50V J	
C162	QTE1H55-225Z	E CAPACITOR	2.2uF 50V		C533	NDC31HJ-271X	C CAPACITOR	270pF 50V J	
C163	QEKJ1HM-105Z	E CAPACITOR	1uF 50V M		C534	NCB31EK-273X	C CAPACITOR	0.027uF 25V K	
C164	NCB21CK-474X	C CAPACITOR	0.47uF 16V K		C535	NCB31HK-183X	C CAPACITOR	0.018uF 50V K	
C165	NCB21CK-474X	C CAPACITOR	0.47uF 16V K		C536	NCB31EK-104X	C CAPACITOR	0.1uF 25V K	
C166	QEKJ1CM-106Z	E CAPACITOR	10uF 16V M		C537	NCB31HK-222X	C CAPACITOR	2200pF 50V K	
C167	QTE1C57-106Z	E CAPACITOR	10uF 16V		C538	QEKJ1CM-476Z	E CAPACITOR	47uF 16V M	
C168	NCB31CK-104X	C CAPACITOR	0.1uF 16V K		C541	NCB31HK-333X	C CAPACITOR	0.033uF 50V K	
C169	QTE1A57-107Z	E CAPACITOR	100uF 10V		C542	NCB31HK-333X	C CAPACITOR	0.033uF 50V K	
C171	QEKJ1HM-105Z	E CAPACITOR	1uF 50V M		C543	NCB31EK-104X	C CAPACITOR	0.1uF 25V K	
C172	QEKJ1HM-105Z	E CAPACITOR	1uF 50V M		C544	NCB31EK-104X	C CAPACITOR	0.1uF 25V K	
C173	QEKJ1CM-106Z	E CAPACITOR	10uF 16V M		C545	NCB31EK-104X	C CAPACITOR	0.1uF 25V K	
C174	NCB31CK-104X	C CAPACITOR	0.1uF 16V K		C546	NCB31EK-104X	C CAPACITOR	0.1uF 25V K	
C181	QTE1H57-105Z	E CAPACITOR	1uF 50V		C547	QEKJ1CM-476Z	E CAPACITOR	47uF 16V M	
C182	QTE1H55-225Z	E CAPACITOR	2.2uF 50V		C548	NCB31EK-104X	C CAPACITOR	0.1uF 25V K	
C183	QEKJ1HM-105Z	E CAPACITOR	1uF 50V M		C549	QEKJ1CM-226Z	E CAPACITOR	22uF 16V M	
C191	QEKJ1HM-105Z	E CAPACITOR	1uF 50V M		C550	NCB31EK-104X	C CAPACITOR	0.1uF 25V K	
C192	QEKJ1HM-105Z	E CAPACITOR	1uF 50V M		C551	NCB31EK-104X	C CAPACITOR	0.1uF 25V K	
C251	QEKJ0JM-476Z	E CAPACITOR	47uF 6.3V M		C552	NCB31EK-104X	C CAPACITOR	0.1uF 25V K	
C301	NFV81CM-105X	MF CAPACITOR	1uF 16V M		C554	NCB31EK-104X	C CAPACITOR	0.1uF 25V K	
C302	NFV81CM-105X	MF CAPACITOR	1uF 16V M		C555	NCB31EK-104X	C CAPACITOR	0.1uF 25V K	
C303	NDC31HJ-101X	C CAPACITOR	100pF 50V J		C556	NCB31EK-104X	C CAPACITOR	0.1uF 25V K	
C304	NDC31HJ-101X	C CAPACITOR	100pF 50V J		C557	QEKJ1CM-476Z	E CAPACITOR	47uF 16V M	
C305	NCB31HK-472X	C CAPACITOR	4700pF 50V K		C558	NCB31EK-104X	C CAPACITOR	0.1uF 25V K	
C306	NCB31HK-472X	C CAPACITOR	4700pF 50V K		C559	QEKJ1CM-476Z	E CAPACITOR	47uF 16V M	
C307	QEKJ1HM-225Z	E CAPACITOR	2.2uF 50V M		C560	NCB31EK-104X	C CAPACITOR	0.1uF 25V K	
C308	QERF1EM-475Z	E CAPACITOR	4.7uF 25V M		C561	NCB31EK-104X	C CAPACITOR	0.1uF 25V K	
C311	NFV81CM-105X	MF CAPACITOR	1uF 16V M		C562	QEKJ1CM-476Z	E CAPACITOR	47uF 16V M	
C312	NFV81CM-105X	MF CAPACITOR	1uF 16V M		C563	NCB31EK-104X	C CAPACITOR	0.1uF 25V K	
C313	NDC31HJ-101X	C CAPACITOR	100pF 50V J		C564	NDC31HJ-680X	C CAPACITOR	68pF 50V J	
C314	NDC31HJ-101X	C CAPACITOR	100pF 50V J		C565	NCB31EK-153X	C CAPACITOR	0.015uF 25V K	
C315	NCB31HK-472X	C CAPACITOR	4700pF 50V K		C566	NCB31EK-104X	C CAPACITOR	0.1uF 25V K	
C316	NCB31HK-472X	C CAPACITOR	4700pF 50V K		C567	NCB31EK-104X	C CAPACITOR	0.1uF 25V K	
C317	QTE1C57-476Z	E CAPACITOR	47uF 16V		C568	NCB31HK-472X	C CAPACITOR	4700pF 50V K	
C318	QERF1EM-475Z	E CAPACITOR	4.7uF 25V M		C569	NCB31HK-103X	C CAPACITOR	0.01uF 50V K	
C319	NCB31EK-473X	C CAPACITOR	0.047uF 25V K		C570	NCB31HK-103X	C CAPACITOR	0.01uF 50V K	
C320	NCB31EK-473X	C CAPACITOR	0.047uF 25V K		C571	NCB31EK-153X	C CAPACITOR	0.015uF 25V K	
C321	NCB31EK-473X	C CAPACITOR	0.047uF 25V K		C572	NDC31HJ-470X	C CAPACITOR	47pF 50V J	
C322	NCB31EK-473X	C CAPACITOR	0.047uF 25V K		C573	NCB31EK-333X	C CAPACITOR	0.033uF 25V K	
C361	QERF1EM-475Z	E CAPACITOR	4.7uF 25V M		C574	NCB31HK-103X	C CAPACITOR	0.01uF 50V K	
C362	QERF1EM-475Z	E CAPACITOR	4.7uF 25V M		C575	QEKJ1AM-107Z	E CAPACITOR	100uF 10V M	
C363	QERF1AM-227Z	E CAPACITOR	220uF 10V M		C576	NCB31HK-562X	C CAPACITOR	5600pF 50V K	
C364	NCB31HK-152X	C CAPACITOR	1500pF 50V K		C578	NCB31HK-103X	C CAPACITOR	0.01uF 50V K	
C365	QEKJ1HM-105Z	E CAPACITOR	1uF 50V M		C579	NCB31HK-103X	C CAPACITOR	0.01uF 50V K	
C366	QEKJ1HM-105Z	E CAPACITOR	1uF 50V M		C580	QTE1E57-475Z	E CAPACITOR	4.7uF 25V	
C371	QERF1AM-476Z	E CAPACITOR	47uF 10V M		C581	NDC31HJ-101X	C CAPACITOR	100pF 50V J	
C372	NCB31CK-104X	C CAPACITOR	0.1uF 16V K		C582	NDC31HJ-151X	C CAPACITOR	150pF 50V J	
C373	QERF1AM-227Z	E CAPACITOR	220uF 10V M		C583	QTE0J57-476Z	E CAPACITOR	47uF 6.3V	

△ Symbol No.	Part No.	Part Name	Description	Local	△ Symbol No.	Part No.	Part Name	Description	Local
C584	NDC31HJ-821X	C CAPACITOR	820pF 50V J		C5006	NCB31HK-123X	C CAPACITOR	0.012uF 50V K	
C590	QTE1E57-475Z	E CAPACITOR	4.7uF 25V		C5007	QTE0J57-476Z	E CAPACITOR	47uF 6.3V	
C591	NDC31HJ-101X	C CAPACITOR	100pF 50V J		C5008	NCB31CK-104X	C CAPACITOR	0.1uF 16V K	
C592	NDC31HJ-151X	C CAPACITOR	150pF 50V J		C5010	NCB31CK-104X	C CAPACITOR	0.1uF 16V K	
C593	QTE0J57-476Z	E CAPACITOR	47uF 6.3V		R2	NRSA63J-102X	MG RESISTOR	1kΩ 1/16W J	
C594	NDC31HJ-821X	C CAPACITOR	820pF 50V J		R3	NRSA63J-473X	MG RESISTOR	47kΩ 1/16W J	
C596	QEKJ1AM-107Z	E CAPACITOR	100uF 10V M		R4	NRSA63J-473X	MG RESISTOR	47kΩ 1/16W J	
C597	NCB31CK-104X	C CAPACITOR	0.1uF 16V K		R5	NRSA63J-472X	MG RESISTOR	4.7kΩ 1/16W J	
C701	QERF0JM-337Z	E CAPACITOR	330uF 6.3V M		R6	NRSA63J-472X	MG RESISTOR	4.7kΩ 1/16W J	
C702	NCB31HK-103X	C CAPACITOR	0.01uF 50V K		R8	NRSA63J-102X	MG RESISTOR	1kΩ 1/16W J	
C703	NDC31HJ-471X	C CAPACITOR	470pF 50V J		R9	NRS181J-120X	MG RESISTOR	12Ω 1/8W J	
C704	NCB31CK-104X	C CAPACITOR	0.1uF 16V K		R10	NRSA63J-332X	MG RESISTOR	3.3kΩ 1/16W J	
C705	NCB31EK-473X	C CAPACITOR	0.047uF 25V K		R11	NRS181J-120X	MG RESISTOR	12Ω 1/8W J	
C706	QERF0JM-337Z	E CAPACITOR	330uF 6.3V M		R71	NRSA63J-222X	MG RESISTOR	2.2kΩ 1/16W J	
C707	NCB31CK-104X	C CAPACITOR	0.1uF 16V K		R73	NRSA63J-222X	MG RESISTOR	2.2kΩ 1/16W J	
C708	NCB31CK-104X	C CAPACITOR	0.1uF 16V K		R74	NRSA02J-101X	MG RESISTOR	100Ω 1/10W J	
C709	NCB31CK-104X	C CAPACITOR	0.1uF 16V K		R75	NRSA63J-0R0X	MG RESISTOR	0Ω 1/16W J	
C710	QERF1AM-227Z	E CAPACITOR	220uF 10V M		R81	NRSA63J-123X	MG RESISTOR	12kΩ 1/16W J	
C711	NCB31EK-473X	C CAPACITOR	0.047uF 25V K		R82	NRSA63J-512X	MG RESISTOR	5.1kΩ 1/16W J	
C712	NDC31HJ-101X	C CAPACITOR	100pF 50V J		R91	NRSA63J-123X	MG RESISTOR	12kΩ 1/16W J	
C713	NDC31HJ-8R0X	C CAPACITOR	8pF 50V J		R92	NRSA63J-512X	MG RESISTOR	5.1kΩ 1/16W J	
C714	NDC31HJ-270X	C CAPACITOR	27pF 50V J		R163	NRSA63J-0R0X	MG RESISTOR	0Ω 1/16W J	
C715	NDC31HJ-270X	C CAPACITOR	27pF 50V J		R164	NRSA63J-222X	MG RESISTOR	2.2kΩ 1/16W J	
C716	NDC31HJ-220X	C CAPACITOR	22pF 50V J		R165	NRSA63J-222X	MG RESISTOR	2.2kΩ 1/16W J	
C717	QERF1AM-227Z	E CAPACITOR	220uF 10V M		R166	NRS181J-120X	MG RESISTOR	12Ω 1/8W J	
C718	NCB31HK-103X	C CAPACITOR	0.01uF 50V K		R167	NRSA63J-102X	MG RESISTOR	1kΩ 1/16W J	
C719	QERF1AM-227Z	E CAPACITOR	220uF 10V M		R168	NRSA63J-102X	MG RESISTOR	1kΩ 1/16W J	
C721	NCB31HK-223X	C CAPACITOR	0.022uF 50V K		R193	NRSA63J-222X	MG RESISTOR	2.2kΩ 1/16W J	
C722	NDC31HJ-102X	C CAPACITOR	1000pF 50V J		R194	NRSA02J-100X	MG RESISTOR	10Ω 1/10W J	
C723	QEKJ1AM-107Z	E CAPACITOR	100uF 10V M		R195	NRSA63J-222X	MG RESISTOR	2.2kΩ 1/16W J	
C724	NCB31HK-103X	C CAPACITOR	0.01uF 50V K		R260	NRSA63J-473X	MG RESISTOR	47kΩ 1/16W J	
C725	NCB31HK-102X	C CAPACITOR	1000pF 50V K		R261	NRSA63J-821X	MG RESISTOR	820Ω 1/16W J	
C726	NCB31HK-103X	C CAPACITOR	0.01uF 50V K		R262	NRSA63J-181X	MG RESISTOR	180Ω 1/16W J	
C781	NCB31CK-224X	C CAPACITOR	0.22uF 16V K		R263	NRSA63J-472X	MG RESISTOR	4.7kΩ 1/16W J	
C782	QEKJ0JM-107Z	E CAPACITOR	100uF 6.3V M		R301	NRSA63J-102X	MG RESISTOR	1kΩ 1/16W J	
C783	QEKJ1CM-107Z	E CAPACITOR	100uF 16V M		R302	NRSA63J-102X	MG RESISTOR	1kΩ 1/16W J	
C801	NCB31EK-473X	C CAPACITOR	0.047uF 25V K		R307	NRSA63J-103X	MG RESISTOR	10kΩ 1/16W J	
C802	NCB31EK-473X	C CAPACITOR	0.047uF 25V K		R308	NRSA63J-102X	MG RESISTOR	1kΩ 1/16W J	
C841	QEKJ1HM-105Z	E CAPACITOR	1uF 50V M		R309	NRSA63J-103X	MG RESISTOR	10kΩ 1/16W J	
C852	NCB31CK-104X	C CAPACITOR	0.1uF 16V K		R310	NRSA63J-473X	MG RESISTOR	47kΩ 1/16W J	
C881	QEKJ1CM-226Z	E CAPACITOR	22uF 16V M		R311	NRSA63J-102X	MG RESISTOR	1kΩ 1/16W J	
C891	NCB31EK-104X	C CAPACITOR	0.1uF 25V K		R312	NRSA63J-102X	MG RESISTOR	1kΩ 1/16W J	
C901	QERF0JM-337Z	E CAPACITOR	330uF 6.3V M		R317	NRSA63J-101X	MG RESISTOR	100Ω 1/16W J	
C902	QEKJ1AM-107Z	E CAPACITOR	100uF 10V M		R321	NRSA63J-821X	MG RESISTOR	820Ω 1/16W J	
C903	NCB31HK-103X	C CAPACITOR	0.01uF 50V K		R322	NRSA63J-181X	MG RESISTOR	180Ω 1/16W J	
C904	NCB31CK-104X	C CAPACITOR	0.1uF 16V K		R323	NRSA63J-222X	MG RESISTOR	2.2kΩ 1/16W J	
C905	QEKJ1CM-226Z	E CAPACITOR	22uF 16V M		R331	NRSA63J-821X	MG RESISTOR	820Ω 1/16W J	
C906	NCB31HK-103X	C CAPACITOR	0.01uF 50V K		R332	NRSA63J-181X	MG RESISTOR	180Ω 1/16W J	
C907	QEKJ1CM-106Z	E CAPACITOR	10uF 16V M		R333	NRSA63J-222X	MG RESISTOR	2.2kΩ 1/16W J	
C908	QEKJ1AM-107Z	E CAPACITOR	100uF 10V M		R341	NRSA63J-821X	MG RESISTOR	820Ω 1/16W J	
C909	QEKJ1CM-226Z	E CAPACITOR	22uF 16V M		R342	NRSA63J-181X	MG RESISTOR	180Ω 1/16W J	
C910	NCB31AK-474X	C CAPACITOR	0.47uF 10V K		R343	NRSA63J-222X	MG RESISTOR	2.2kΩ 1/16W J	
C911	QEKJ1CM-106Z	E CAPACITOR	10uF 16V M		R351	NRSA63J-821X	MG RESISTOR	820Ω 1/16W J	
C912	QEKJ1CM-106Z	E CAPACITOR	10uF 16V M		R352	NRSA63J-181X	MG RESISTOR	180Ω 1/16W J	
C913	NCB31CK-104X	C CAPACITOR	0.1uF 16V K		R353	NRSA63J-222X	MG RESISTOR	2.2kΩ 1/16W J	
C915	QEKJ1CM-106Z	E CAPACITOR	10uF 16V M		R360	NRSA63J-102X	MG RESISTOR	1kΩ 1/16W J	
C916	NCB31CK-104X	C CAPACITOR	0.1uF 16V K		R361	NRSA63J-104X	MG RESISTOR	100kΩ 1/16W J	
C917	NCB31CK-104X	C CAPACITOR	0.1uF 16V K		R362	NRSA63J-102X	MG RESISTOR	1kΩ 1/16W J	
C941	NCB31EK-104X	C CAPACITOR	0.1uF 25V K		R363	NRSA63J-104X	MG RESISTOR	100kΩ 1/16W J	
C942	NCB31EK-104X	C CAPACITOR	0.1uF 25V K		R364	NRSA63J-333X	MG RESISTOR	33kΩ 1/16W J	
C943	QEKJ1CM-107Z	E CAPACITOR	100uF 16V M		R365	NRSA63J-223X	MG RESISTOR	22kΩ 1/16W J	
C945	NCB31EK-104X	C CAPACITOR	0.1uF 25V K		R366	NRSA63J-473X	MG RESISTOR	47kΩ 1/16W J	
C961	QEZ0723-338	E CAPACITOR	3300uF		R367	NRSA63J-473X	MG RESISTOR	47kΩ 1/16W J	
C962	QEKJ1CM-107Z	E CAPACITOR	100uF 16V M		R370	NRSA63J-333X	MG RESISTOR	33kΩ 1/16W J	
C978	QEKJ1HM-225Z	E CAPACITOR	2.2uF 50V M		R371	NRSA63J-223X	MG RESISTOR	22kΩ 1/16W J	
C991	NDC31HJ-471X	C CAPACITOR	470pF 50V J		R380	NRSA63J-102X	MG RESISTOR	1kΩ 1/16W J	
C992	NDC31HJ-471X	C CAPACITOR	470pF 50V J		R381	NRSA63J-104X	MG RESISTOR	100kΩ 1/16W J	
C993	NDC31HJ-471X	C CAPACITOR	470pF 50V J		R382	NRSA63J-102X	MG RESISTOR	1kΩ 1/16W J	
C994	NDC31HJ-471X	C CAPACITOR	470pF 50V J		R383	NRSA63J-104X	MG RESISTOR	100kΩ 1/16W J	
C995	NDC31HJ-471X	C CAPACITOR	470pF 50V J		R384	NRSA63J-333X	MG RESISTOR	33kΩ 1/16W J	
C996	NDC31HJ-471X	C CAPACITOR	470pF 50V J		R385	NRSA63J-223X	MG RESISTOR	22kΩ 1/16W J	
C997	NDC31HJ-471X	C CAPACITOR	470pF 50V J		R386	NRSA63J-473X	MG RESISTOR	47kΩ 1/16W J	
C998	NDC31HJ-471X	C CAPACITOR	470pF 50V J		R387	NRSA63J-473X	MG RESISTOR	47kΩ 1/16W J	
C5001	NCB31CK-104X	C CAPACITOR	0.1uF 16V K		R390	NRSA63J-333X	MG RESISTOR	33kΩ 1/16W J	
C5002	NDC31HJ-270X	C CAPACITOR	27pF 50V J		R391	NRSA63J-223X	MG RESISTOR	22kΩ 1/16W J	
C5003	NDC31HJ-270X	C CAPACITOR	27pF 50V J		R392	NRSA02J-100X	MG RESISTOR	10Ω 1/10W J	
C5004	QTE1A57-107Z	E CAPACITOR	100uF 10V		R502	NRSA02J-0R0X	MG RESISTOR	0Ω 1/10W J	
C5005	NCB31CK-104X	C CAPACITOR	0.1uF 16V K						

△ Symbol No.	Part No.	Part Name	Description	Local	△ Symbol No.	Part No.	Part Name	Description	Local
R503	NRSA02J-0R0X	MG RESISTOR	0Ω 1/10W J		R598	NRSA63J-103X	MG RESISTOR	10kΩ 1/16W J	
R504	NRSA63J-822X	MG RESISTOR	8.2kΩ 1/16W J		R599	NRSA63J-152X	MG RESISTOR	1.5kΩ 1/16W J	
R505	NRSA63J-512X	MG RESISTOR	5.1kΩ 1/16W J		R702	NRSA63J-821X	MG RESISTOR	820Ω 1/16W J	
R511	NRSA63J-103X	MG RESISTOR	10kΩ 1/16W J		R703	NRSA63J-473X	MG RESISTOR	47kΩ 1/16W J	
R512	NRSA63J-752X	MG RESISTOR	7.5kΩ 1/16W J		R704	NRSA63J-106X	MG RESISTOR	10MΩ 1/16W J	
R513	NRSA63J-332X	MG RESISTOR	3.3kΩ 1/16W J		R705	NRSA63J-103X	MG RESISTOR	10kΩ 1/16W J	
R514	NRSA63J-103X	MG RESISTOR	10kΩ 1/16W J		R706	NRSA63J-472X	MG RESISTOR	4.7kΩ 1/16W J	
R515	NRSA63J-682X	MG RESISTOR	6.8kΩ 1/16W J		R707	NRSA63J-473X	MG RESISTOR	47kΩ 1/16W J	
R518	NRSA63J-302X	MG RESISTOR	3kΩ 1/16W J		R708	NRSA63J-102X	MG RESISTOR	1kΩ 1/16W J	
R519	NRSA63J-123X	MG RESISTOR	12kΩ 1/16W J		R709	NRSA63J-102X	MG RESISTOR	1kΩ 1/16W J	
R520	NRSA63J-822X	MG RESISTOR	8.2kΩ 1/16W J		R710	NRSA63J-222X	MG RESISTOR	2.2kΩ 1/16W J	
R521	NRSA63J-152X	MG RESISTOR	1.5kΩ 1/16W J		R711	NRSA63J-473X	MG RESISTOR	47kΩ 1/16W J	
R522	NRSA63J-152X	MG RESISTOR	1.5kΩ 1/16W J		R712	NRSA63J-101X	MG RESISTOR	100Ω 1/16W J	
R523	NRSA63J-152X	MG RESISTOR	1.5kΩ 1/16W J		R713	NRSA63J-473X	MG RESISTOR	47kΩ 1/16W J	
R524	NRSA63J-151X	MG RESISTOR	150Ω 1/16W J		R714	NRSA63J-473X	MG RESISTOR	47kΩ 1/16W J	
R525	NRS181J-101X	MG RESISTOR	100Ω 1/8W J		R716	NRSA63J-101X	MG RESISTOR	100Ω 1/16W J	
R526	NRS181J-101X	MG RESISTOR	100Ω 1/8W J		R717	NRSA63J-103X	MG RESISTOR	10kΩ 1/16W J	
R527	NRSA63J-473X	MG RESISTOR	47kΩ 1/16W J		R718	NRSA63J-103X	MG RESISTOR	10kΩ 1/16W J	
R528	NRSA63J-102X	MG RESISTOR	1kΩ 1/16W J		R719	NRSA63J-473X	MG RESISTOR	47kΩ 1/16W J	
R529	NRSA63J-102X	MG RESISTOR	1kΩ 1/16W J		R720	NRSA63J-222X	MG RESISTOR	2.2kΩ 1/16W J	
R530	NRSA63J-105X	MG RESISTOR	1MΩ 1/16W J		R721	NRSA63J-102X	MG RESISTOR	1kΩ 1/16W J	
R532	NRSA63J-221X	MG RESISTOR	220Ω 1/16W J		R722	NRSA63J-473X	MG RESISTOR	47kΩ 1/16W J	
R533	NRSA63J-103X	MG RESISTOR	10kΩ 1/16W J		R723	NRSA63J-242X	MG RESISTOR	2.4kΩ 1/16W J	
R534	NRSA63J-103X	MG RESISTOR	10kΩ 1/16W J		R724	NRSA63J-473X	MG RESISTOR	47kΩ 1/16W J	
R535	NRSA63J-103X	MG RESISTOR	10kΩ 1/16W J		R725	NRSA63J-242X	MG RESISTOR	2.4kΩ 1/16W J	
R536	NRSA63J-103X	MG RESISTOR	10kΩ 1/16W J		R726	NRSA63J-473X	MG RESISTOR	47kΩ 1/16W J	
R537	NRSA63J-103X	MG RESISTOR	10kΩ 1/16W J		R727	NRSA63J-473X	MG RESISTOR	47kΩ 1/16W J	
R538	NRSA63J-103X	MG RESISTOR	10kΩ 1/16W J		R728	NRSA63J-0R0X	MG RESISTOR	0Ω 1/16W J	
R539	NRSA63J-103X	MG RESISTOR	10kΩ 1/16W J		R730	NRSA63J-0R0X	MG RESISTOR	0Ω 1/16W J	
R540	NRSA63J-103X	MG RESISTOR	10kΩ 1/16W J		R732	NRSA63J-473X	MG RESISTOR	47kΩ 1/16W J	
R541	NRSA63J-101X	MG RESISTOR	100Ω 1/16W J		R733	NRSA63J-102X	MG RESISTOR	1kΩ 1/16W J	
R542	NRSA63J-103X	MG RESISTOR	10kΩ 1/16W J		R734	NRSA63J-102X	MG RESISTOR	1kΩ 1/16W J	
R543	NRSA63J-101X	MG RESISTOR	100Ω 1/16W J		R735	NRSA63J-103X	MG RESISTOR	10kΩ 1/16W J	
R544	NRSA63J-101X	MG RESISTOR	100Ω 1/16W J		R736	NRSA63J-103X	MG RESISTOR	10kΩ 1/16W J	
R545	NRSA63J-104X	MG RESISTOR	100kΩ 1/16W J		R737	NRSA63J-271X	MG RESISTOR	270Ω 1/16W J	
R546	NRSA63J-104X	MG RESISTOR	100kΩ 1/16W J		R738	NRSA63J-271X	MG RESISTOR	270Ω 1/16W J	
R547	NRSA63J-472X	MG RESISTOR	4.7kΩ 1/16W J		R739	NRSA63J-103X	MG RESISTOR	10kΩ 1/16W J	
R548	NRSA63J-562X	MG RESISTOR	5.6kΩ 1/16W J		R740	NRSA63J-473X	MG RESISTOR	47kΩ 1/16W J	
R549	NRSA63J-154X	MG RESISTOR	150kΩ 1/16W J		R741	NRSA63J-103X	MG RESISTOR	10kΩ 1/16W J	
R550	NRSA63J-334X	MG RESISTOR	330kΩ 1/16W J		R742	NRSA63J-473X	MG RESISTOR	47kΩ 1/16W J	
R551	NRSA63J-473X	MG RESISTOR	47kΩ 1/16W J		R743	NRSA63J-122X	MG RESISTOR	1.2kΩ 1/16W J	
R552	NRSA63J-153X	MG RESISTOR	15kΩ 1/16W J		R744	NRSA63J-122X	MG RESISTOR	1.2kΩ 1/16W J	
R553	NRSA63J-223X	MG RESISTOR	22kΩ 1/16W J		R745	NRSA63J-102X	MG RESISTOR	1kΩ 1/16W J	
R556	NRSA63J-0R0X	MG RESISTOR	0Ω 1/16W J		R746	NRSA63J-392X	MG RESISTOR	3.9kΩ 1/16W J	
R557	NRSA63J-0R0X	MG RESISTOR	0Ω 1/16W J		R747	NRSA63J-392X	MG RESISTOR	3.9kΩ 1/16W J	
R560	NRSA63J-104X	MG RESISTOR	100kΩ 1/16W J		R748	NRSA63J-392X	MG RESISTOR	3.9kΩ 1/16W J	
R561	NRSA63J-101X	MG RESISTOR	100Ω 1/16W J		R749	NRSA63J-102X	MG RESISTOR	1kΩ 1/16W J	
R562	NRSA63J-101X	MG RESISTOR	100Ω 1/16W J		R751	NRSA63J-102X	MG RESISTOR	1kΩ 1/16W J	
R563	NRSA63J-101X	MG RESISTOR	100Ω 1/16W J		R753	NRSA63J-331X	MG RESISTOR	330Ω 1/16W J	
R564	NRSA63J-101X	MG RESISTOR	100Ω 1/16W J		R755	NRSA63J-331X	MG RESISTOR	330Ω 1/16W J	
R565	NRSA63J-101X	MG RESISTOR	100Ω 1/16W J		R757	NRSA63J-102X	MG RESISTOR	1kΩ 1/16W J	
R566	NRSA63J-101X	MG RESISTOR	100Ω 1/16W J		R758	NRSA63J-102X	MG RESISTOR	1kΩ 1/16W J	
R567	NRSA63J-101X	MG RESISTOR	100Ω 1/16W J		R759	NRSA63J-102X	MG RESISTOR	1kΩ 1/16W J	
R568	NRSA63J-223X	MG RESISTOR	22kΩ 1/16W J		R760	NRSA63J-103X	MG RESISTOR	10kΩ 1/16W J	
R569	NRSA63J-473X	MG RESISTOR	47kΩ 1/16W J		R761	NRSA63J-102X	MG RESISTOR	1kΩ 1/16W J	
R570	NRSA63J-103X	MG RESISTOR	10kΩ 1/16W J		R762	NRSA63J-0R0X	MG RESISTOR	0Ω 1/16W J	
R571	NRSA63J-103X	MG RESISTOR	10kΩ 1/16W J		R763	NRSA63J-122X	MG RESISTOR	1.2kΩ 1/16W J	
R572	NRSA63J-103X	MG RESISTOR	10kΩ 1/16W J		R764	NRSA63J-102X	MG RESISTOR	1kΩ 1/16W J	
R573	NRSA63J-103X	MG RESISTOR	10kΩ 1/16W J		R765	NRSA63J-102X	MG RESISTOR	1kΩ 1/16W J	
R574	NRSA63J-103X	MG RESISTOR	10kΩ 1/16W J		R766	NRSA63J-473X	MG RESISTOR	47kΩ 1/16W J	
R575	NRSA63J-103X	MG RESISTOR	10kΩ 1/16W J		R768	NRSA63J-102X	MG RESISTOR	1kΩ 1/16W J	
R576	NRSA63J-103X	MG RESISTOR	10kΩ 1/16W J		R769	NRSA63J-473X	MG RESISTOR	47kΩ 1/16W J	
R577	NRSA02J-220X	MG RESISTOR	22Ω 1/10W J		R771	NRSA63J-102X	MG RESISTOR	1kΩ 1/16W J	
R578	NRSA02J-220X	MG RESISTOR	22Ω 1/10W J		R772	NRSA63J-473X	MG RESISTOR	47kΩ 1/16W J	
R579	NRSA63J-103X	MG RESISTOR	10kΩ 1/16W J		R774	NRSA63J-473X	MG RESISTOR	47kΩ 1/16W J	
R580	NRSA02J-100X	MG RESISTOR	10Ω 1/10W J		R776	NRSA63J-101X	MG RESISTOR	100Ω 1/16W J	
R581	NRSA63J-0R0X	MG RESISTOR	0Ω 1/16W J		R777	NRSA63J-101X	MG RESISTOR	100Ω 1/16W J	
R583	NRSA63J-243X	MG RESISTOR	24kΩ 1/16W J		R778	NRSA63J-101X	MG RESISTOR	100Ω 1/16W J	
R585	NRSA63J-273X	MG RESISTOR	27kΩ 1/16W J		R779	NRSA63J-103X	MG RESISTOR	10kΩ 1/16W J	
R586	NRSA63J-822X	MG RESISTOR	8.2kΩ 1/16W J		R780	NRSA63J-101X	MG RESISTOR	100Ω 1/16W J	
R587	NRSA63J-103X	MG RESISTOR	10kΩ 1/16W J		R781	NRSA63J-101X	MG RESISTOR	100Ω 1/16W J	
R588	NRSA63J-103X	MG RESISTOR	10kΩ 1/16W J		R782	NRSA63J-101X	MG RESISTOR	100Ω 1/16W J	
R589	NRSA63J-152X	MG RESISTOR	1.5kΩ 1/16W J		R783	NRSA63J-101X	MG RESISTOR	100Ω 1/16W J	
R591	NRSA63J-0R0X	MG RESISTOR	0Ω 1/16W J		R786	NRSA63J-473X	MG RESISTOR	47kΩ 1/16W J	
R593	NRSA63J-243X	MG RESISTOR	24kΩ 1/16W J		R787	NRSA63J-102X	MG RESISTOR	1kΩ 1/16W J	
R595	NRSA63J-273X	MG RESISTOR	27kΩ 1/16W J		R788	NRSA63J-102X	MG RESISTOR	1kΩ 1/16W J	
R596	NRSA63J-822X	MG RESISTOR	8.2kΩ 1/16W J		R789	NRSA63J-101X	MG RESISTOR	100Ω 1/16W J	
R597	NRSA63J-103X	MG RESISTOR	10kΩ 1/16W J		R790	NRSA63J-473X	MG RESISTOR	47kΩ 1/16W J	

Symbol No.	Part No.	Part Name	Description	Local
R791	NRSA63J-682X	MG RESISTOR	6.8kΩ 1/16W J	
R792	NRSA63J-682X	MG RESISTOR	6.8kΩ 1/16W J	
R793	NRSA63J-682X	MG RESISTOR	6.8kΩ 1/16W J	
R794	NRSA02J-911X	MG RESISTOR	910Ω 1/10W J	
R795	NRSA02J-911X	MG RESISTOR	910Ω 1/10W J	
R796	NRSA63J-223X	MG RESISTOR	22kΩ 1/16W J	
R797	NRSA63J-102X	MG RESISTOR	1kΩ 1/16W J	
R798	NRSA63J-181X	MG RESISTOR	180Ω 1/16W J	
R801	NRSA63J-223X	MG RESISTOR	22kΩ 1/16W J	
R802	NRSA63J-104X	MG RESISTOR	100kΩ 1/16W J	
R803	NRSA63J-101X	MG RESISTOR	100Ω 1/16W J	
R804	NRSA63J-473X	MG RESISTOR	47kΩ 1/16W J	
R805	NRSA63J-103X	MG RESISTOR	10kΩ 1/16W J	
R806	NRSA63J-104X	MG RESISTOR	100kΩ 1/16W J	
R807	NRSA63J-331X	MG RESISTOR	330Ω 1/16W J	
R808	NRSA63J-101X	MG RESISTOR	100Ω 1/16W J	
R809	NRSA63J-223X	MG RESISTOR	22kΩ 1/16W J	
R810	NRSA63J-473X	MG RESISTOR	47kΩ 1/16W J	
R841	NRSA63J-332X	MG RESISTOR	3.3kΩ 1/16W J	
R852	NRS181J-102X	MG RESISTOR	1kΩ 1/8W J	
R881	NRSA63J-104X	MG RESISTOR	100kΩ 1/16W J	
R882	NRSA63J-472X	MG RESISTOR	4.7kΩ 1/16W J	
R883	NRSA63J-473X	MG RESISTOR	47kΩ 1/16W J	
R892	NRSA63J-473X	MG RESISTOR	47kΩ 1/16W J	
R893	NRSA63J-102X	MG RESISTOR	1kΩ 1/16W J	
R901	NRSA63J-473X	MG RESISTOR	47kΩ 1/16W J	
R902	NRSA63J-562X	MG RESISTOR	5.6kΩ 1/16W J	
R903	NRSA63J-102X	MG RESISTOR	1kΩ 1/16W J	
R904	NRSA63J-103X	MG RESISTOR	10kΩ 1/16W J	
R905	NRSA63J-473X	MG RESISTOR	47kΩ 1/16W J	
R906	NRSA63J-473X	MG RESISTOR	47kΩ 1/16W J	
R941	NRSA63J-103X	MG RESISTOR	10kΩ 1/16W J	
R976	NRSA63J-682X	MG RESISTOR	6.8kΩ 1/16W J	
R977	NRSA63J-183X	MG RESISTOR	18kΩ 1/16W J	
R978	QRE142J-102X	C RESISTOR	1kΩ 1/4W J	
R979	NRSA63J-912X	MG RESISTOR	9.1kΩ 1/16W J	
R980	NRSA63J-472X	MG RESISTOR	4.7kΩ 1/16W J	
R5001	NRSA63J-101X	MG RESISTOR	100Ω 1/16W J	
R5002	NRSA63J-225X	MG RESISTOR	2.2MΩ 1/16W J	
R5003	NRSA63J-102X	MG RESISTOR	1kΩ 1/16W J	
R5006	NRSA63J-122X	MG RESISTOR	1.2kΩ 1/16W J	
R5007	NRSA63J-470X	MG RESISTOR	47Ω 1/16W J	
R5008	NRSA63J-470X	MG RESISTOR	47Ω 1/16W J	
R5009	NRSA63J-470X	MG RESISTOR	47Ω 1/16W J	
R5010	NRSA63J-101X	MG RESISTOR	100Ω 1/16W J	
R5011	NRSA63J-101X	MG RESISTOR	100Ω 1/16W J	
R5012	NRSA63J-101X	MG RESISTOR	100Ω 1/16W J	
R5015	NRSA63J-103X	MG RESISTOR	10kΩ 1/16W J	
R5016	NRSA63J-473X	MG RESISTOR	47kΩ 1/16W J	
R535A	NRSA63J-332X	MG RESISTOR	3.3kΩ 1/16W J	
R7001	NRSA02J-911X	MG RESISTOR	910Ω 1/10W J	
R7002	NRSA02J-911X	MG RESISTOR	910Ω 1/10W J	
R7003	NRSA63J-102X	MG RESISTOR	1kΩ 1/16W J	
RA701	NRZ0065-102X	MG RESISTOR	1kΩ	
L1	QQL244J-4R7Z	COIL	4.7uH J	
L571	NQL114K-470X	COIL	47uH K	
L572	NQL114K-470X	COIL	47uH K	
L701	QQL244J-470Z	COIL	47uH J	
L702	NQL79GM-470X	COIL	47uH M	
L703	NQL79GM-470X	COIL	47uH M	
L704	NQL114M-1R0X	COIL	1uH M	
L706	NQL79GM-470X	COIL	47uH M	
L961	QQR1378-002	CHOKO COIL		
L5002	NQL79GM-470X	COIL	47uH M	
L5003	NQL093K-1R8X	COIL	1.8uH K	
L5004	NQL093K-1R8X	COIL	1.8uH K	
BZ841	QAN0023-001Z	BUZZER		
CN501	QGB2027M4-22S	CONNECTOR	B-B (1-22)	
CN701	QNZ0605-001	CAR CONNECTOR		
CN702	QGB1004J2-16X	CONNECTOR	B-B (1-16)	
CN703	WJK0224-001A-E	2PIN CABLE		
CN901	QNZ0611-001	16P CONNECTOR		
CN981	QGA2006F1-02	CONNECTOR	W-B (1-2)	
J1	QAM0105-003	CAR CABLE		
J321	QNN0748-001	PIN JACK		
J801	QNZ0095-001	CIR CONNECTOR		

Symbol No.	Part No.	Part Name	Description	Local
S701	QSW0451-001	DETECT SW		
S702	QSW0451-001	DETECT SW		
S703	QSW1049-001Z	TACT SW		
TU1	QAU0451-001	TUNER		
X71	QAX0263-001Z	CRYSTAL		
X701	QAX0617-001Z	CRYSTAL		
X702	QAX0401-001	CRYSTAL		
X5001	NAX0375-001X	CRYSTAL		

## Main board (KD-G827)

Block No. [0][3]

Symbol No.	Part No.	Part Name	Description	Local
IC71	LC72725NM-X	IC		
IC161	TDA7419-X	IC		
IC162	CD4066BPW-X	IC		
IC301	TB2904HQ	IC		
IC361	NJM2792V-X	IC		
IC501	LA6242H-X	BTL DRIVER IC		
IC502	SN74AHC04PW-X	IC		
IC503	PCM1780-X	DAC(BB)		
IC541	TC94A70FG	IC		
IC561	SN74CBT3245AP-X	LOGIC IC		
IC571	NJU7772F15-X	1.5V REGULATOR		
IC581	NJM4580M-X	IC		
IC701	UPD784218AGC326	IC		
IC702	S-80833CNNB-G-W	IC		
IC703	BR24L32F-W-X	IC(EEPROM)		
IC704	SN74AHC1G08V-X	IC		
IC801	SN74AHC126NS-X	IC		
IC901	AN80T71	REGULATOR IC		
IC902	NJU7241F33-X	IC		
IC903	NJU7241F33-X	IC		
IC941	BA05CC0WT-V5	IC REGULATOR		
Q1	RT1N141C-X	TRANSISTOR		
Q191	RT1N141C-X	TRANSISTOR		
Q192	RT1N141C-X	TRANSISTOR		
Q251	KTD1304-X	TRANSISTOR		
Q252	RT1P141C-X	TRANSISTOR		
Q301	RT1N141C-X	TRANSISTOR		
Q321	KTD1304-X	TRANSISTOR		
Q331	KTD1304-X	TRANSISTOR		
Q341	KTD1304-X	TRANSISTOR		
Q351	KTD1304-X	TRANSISTOR		
Q502	2SA1705/ST/-T	TRANSISTOR		
Q571	2SA1708/ST/-T	TRANSISTOR		
Q581	2SA1365/F/-X	TRANSISTOR		
Q582	RT1N141C-X	TRANSISTOR		
Q781	RT1P141C-X	TRANSISTOR		
Q782	RT1P141C-X	TRANSISTOR		
Q841	RT1N141C-X	TRANSISTOR		
Q881	2SC3928A/QR/-X	TRANSISTOR		
Q891	RT1N141C-X	TRANSISTOR		
Q901	2SA1365/F/-X	TRANSISTOR		
Q902	RT1N141C-X	TRANSISTOR		
Q976	RT1N441C-X	TRANSISTOR		
Q977	2SA1530A/QR/-X	TRANSISTOR		
Q5001	2SA1530A/R/-X	TRANSISTOR		
Q5002	RT1N141C-X	TRANSISTOR		
Q5003	RT1N141C-X	TRANSISTOR		
D1	1SS355W-X	SI DIODE		
D2	1SS355W-X	SI DIODE		
D161	UDZW6.2B-X	DIODE		
D162	UDZW6.2B-X	DIODE		
D251	1SS355W-X	SI DIODE		
D253	1SS355W-X	SI DIODE		
D301	1SS355W-X	SI DIODE		
D302	1SS355W-X	SI DIODE		
D321	MC2836-X	DOUBLE DIODE		
D341	MC2836-X	DOUBLE DIODE		
D501	1A3G-T1	SI DIODE		

△ Symbol No.	Part No.	Part Name	Description	Local	△ Symbol No.	Part No.	Part Name	Description	Local
D502	1SS355W-X	SI DIODE			C318	QERF1EM-475Z	E CAPACITOR	4.7uF 25V M	
D503	1SS355W-X	SI DIODE			C319	NCB31EK-473X	C CAPACITOR	0.047uF 25V K	
D701	1SS355W-X	SI DIODE			C320	NCB31EK-473X	C CAPACITOR	0.047uF 25V K	
D702	UDZW6.2B-X	DIODE			C321	NCB31EK-473X	C CAPACITOR	0.047uF 25V K	
D703	UDZW6.2B-X	DIODE			C322	NCB31EK-473X	C CAPACITOR	0.047uF 25V K	
D704	UDZW6.2B-X	DIODE			C361	QERF1EM-475Z	E CAPACITOR	4.7uF 25V M	
D705	UDZW6.2B-X	DIODE			C362	QERF1EM-475Z	E CAPACITOR	4.7uF 25V M	
D706	UDZW6.2B-X	DIODE			C363	QERF1AM-227Z	E CAPACITOR	220uF 10V M	
D707	UDZW6.2B-X	DIODE			C364	NCB31HK-152X	C CAPACITOR	1500pF 50V K	
D708	UDZW6.2B-X	DIODE			C365	QEKJ1HM-105Z	E CAPACITOR	1uF 50V M	
D709	MC2838-X	DOUBLE DIODE			C366	QEKJ1HM-105Z	E CAPACITOR	1uF 50V M	
D710	MC2838-X	DOUBLE DIODE			C371	QERF1AM-476Z	E CAPACITOR	47uF 10V M	
D711	SLR-56VC3F	DIODE C.M			C372	NCB31CK-104X	C CAPACITOR	0.1uF 16V K	
D714	UDZW6.2B-X	DIODE			C373	QERF1AM-227Z	E CAPACITOR	220uF 10V M	
D715	UDZW5.1B-X	SI DIODE			C381	QERF1EM-475Z	E CAPACITOR	4.7uF 25V M	
D781	1SS355W-X	SI DIODE			C382	QERF1EM-475Z	E CAPACITOR	4.7uF 25V M	
D782	UDZW11B-X	Z DIODE			C383	QERF1AM-227Z	E CAPACITOR	220uF 10V M	
D853	CRS03-W	SB DIODE			C384	NCB31HK-152X	C CAPACITOR	1500pF 50V K	
D854	CRS03-W	SB DIODE			C385	QEKJ1HM-105Z	E CAPACITOR	1uF 50V M	
D891	MC2836-X	DOUBLE DIODE			C386	QEKJ1HM-105Z	E CAPACITOR	1uF 50V M	
D901	1SS355W-X	SI DIODE			C502	QEKJ1AM-107Z	E CAPACITOR	100uF 10V M	
D902	1SS355W-X	SI DIODE			C503	QEKJ1CM-476Z	E CAPACITOR	47uF 16V M	
D941	1A3G-T1	SI DIODE			C504	NCB31HK-103X	C CAPACITOR	0.01uF 50V K	
D961	1N5401-F64	DIODE			C509	NCB31EK-104X	C CAPACITOR	0.1uF 25V K	
D994	CRS03-W	SB DIODE			C510	NCB31EK-104X	C CAPACITOR	0.1uF 25V K	
D996	CRS03-W	SB DIODE			C511	NCB31HK-103X	C CAPACITOR	0.01uF 50V K	
D5001	1SS355W-X	SI DIODE			C512	NCB31HK-103X	C CAPACITOR	0.01uF 50V K	
C1	QEKJ1AM-107Z	E CAPACITOR	100uF 10V M		C513	NCB31HK-103X	C CAPACITOR	0.01uF 50V K	
C2	NCB31EK-104X	C CAPACITOR	0.1uF 25V K		C514	NCB31HK-103X	C CAPACITOR	0.01uF 50V K	
C3	QEKJ1AM-107Z	E CAPACITOR	100uF 10V M		C515	NCB31EK-473X	C CAPACITOR	0.047uF 25V K	
C4	NCB31EK-104X	C CAPACITOR	0.1uF 25V K		C516	NCB31EK-473X	C CAPACITOR	0.047uF 25V K	
C5	NCB31EK-104X	C CAPACITOR	0.1uF 25V K		C517	NDC31HJ-121X	C CAPACITOR	120pF 50V J	
C6	NCB31EK-104X	C CAPACITOR	0.1uF 25V K		C518	NCB31EK-473X	C CAPACITOR	0.047uF 25V K	
C71	QEKJ1CM-106Z	E CAPACITOR	10uF 16V M		C519	NCB31EK-473X	C CAPACITOR	0.047uF 25V K	
C72	NDC31HJ-331X	C CAPACITOR	330pF 50V J		C521	NCB31EK-104X	C CAPACITOR	0.1uF 25V K	
C73	NDC31HJ-561X	C CAPACITOR	560pF 50V J		C522	QEKJ1AM-107Z	E CAPACITOR	100uF 10V M	
C74	NCB31HK-103X	C CAPACITOR	0.01uF 50V K		C523	NCB31EK-104X	C CAPACITOR	0.1uF 25V K	
C75	QEKJ0JM-476Z	E CAPACITOR	47uF 6.3V M		C524	NCB31EK-104X	C CAPACITOR	0.1uF 25V K	
C76	NDC31HJ-330X	C CAPACITOR	33pF 50V J		C525	QEKJ1AM-107Z	E CAPACITOR	100uF 10V M	
C77	NDC31HJ-330X	C CAPACITOR	33pF 50V J		C526	QEKJ1AM-107Z	E CAPACITOR	100uF 10V M	
C78	NCB31HK-104X	C CAPACITOR	0.1uF 50V K		C527	NCB31HK-103X	C CAPACITOR	0.01uF 50V K	
C81	QTE1E57-475Z	E CAPACITOR	4.7uF 25V		C528	QEKJ1AM-107Z	E CAPACITOR	100uF 10V M	
C91	QTE1E57-475Z	E CAPACITOR	4.7uF 25V		C529	NCB31HK-103X	C CAPACITOR	0.01uF 50V K	
C161	QTE1H57-105Z	E CAPACITOR	1uF 50V		C531	NCB31HK-102X	C CAPACITOR	1000pF 50V K	
C162	QTE1H55-225Z	E CAPACITOR	2.2uF 50V		C532	NDC31HJ-271X	C CAPACITOR	270pF 50V J	
C163	QEKJ1HM-105Z	E CAPACITOR	1uF 50V M		C533	NDC31HJ-271X	C CAPACITOR	270pF 50V J	
C164	NCB21CK-474X	C CAPACITOR	0.47uF 16V K		C534	NCB31EK-273X	C CAPACITOR	0.027uF 25V K	
C165	NCB21CK-474X	C CAPACITOR	0.47uF 16V K		C535	NCB31HK-183X	C CAPACITOR	0.018uF 50V K	
C166	QEKJ1CM-106Z	E CAPACITOR	10uF 16V M		C536	NCB31EK-104X	C CAPACITOR	0.1uF 25V K	
C167	QTE1C57-106Z	E CAPACITOR	10uF 16V		C537	NCB31HK-222X	C CAPACITOR	2200pF 50V K	
C168	NCB31CK-104X	C CAPACITOR	0.1uF 16V K		C538	QEKJ1CM-476Z	E CAPACITOR	47uF 16V M	
C169	QTE1A57-107Z	E CAPACITOR	100uF 10V		C541	NCB31HK-333X	C CAPACITOR	0.033uF 50V K	
C171	QEKJ1HM-105Z	E CAPACITOR	1uF 50V M		C542	NCB31HK-333X	C CAPACITOR	0.033uF 50V K	
C172	QEKJ1HM-105Z	E CAPACITOR	1uF 50V M		C543	NCB31EK-104X	C CAPACITOR	0.1uF 25V K	
C173	QEKJ1CM-106Z	E CAPACITOR	10uF 16V M		C544	NCB31EK-104X	C CAPACITOR	0.1uF 25V K	
C174	NCB31CK-104X	C CAPACITOR	0.1uF 16V K		C545	NCB31EK-104X	C CAPACITOR	0.1uF 25V K	
C181	QTE1H57-105Z	E CAPACITOR	1uF 50V		C546	NCB31EK-104X	C CAPACITOR	0.1uF 25V K	
C182	QTE1H55-225Z	E CAPACITOR	2.2uF 50V		C547	QEKJ1CM-476Z	E CAPACITOR	47uF 16V M	
C183	QEKJ1HM-105Z	E CAPACITOR	1uF 50V M		C548	NCB31EK-104X	C CAPACITOR	0.1uF 25V K	
C191	QEKJ1HM-105Z	E CAPACITOR	1uF 50V M		C549	QEKJ1CM-226Z	E CAPACITOR	22uF 16V M	
C192	QEKJ1HM-105Z	E CAPACITOR	1uF 50V M		C550	NCB31EK-104X	C CAPACITOR	0.1uF 25V K	
C251	QEKJ0JM-476Z	E CAPACITOR	47uF 6.3V M		C551	NCB31EK-104X	C CAPACITOR	0.1uF 25V K	
C301	NFV81CM-105X	MF CAPACITOR	1uF 16V M		C552	NCB31EK-104X	C CAPACITOR	0.1uF 25V K	
C302	NFV81CM-105X	MF CAPACITOR	1uF 16V M		C554	NCB31EK-104X	C CAPACITOR	0.1uF 25V K	
C303	NDC31HJ-101X	C CAPACITOR	100pF 50V J		C555	NCB31EK-104X	C CAPACITOR	0.1uF 25V K	
C304	NDC31HJ-101X	C CAPACITOR	100pF 50V J		C556	NCB31EK-104X	C CAPACITOR	0.1uF 25V K	
C305	NCB31HK-472X	C CAPACITOR	4700pF 50V K		C557	QEKJ1CM-476Z	E CAPACITOR	47uF 16V M	
C306	NCB31HK-472X	C CAPACITOR	4700pF 50V K		C558	NCB31EK-104X	C CAPACITOR	0.1uF 25V K	
C307	QEKJ1HM-225Z	E CAPACITOR	2.2uF 50V M		C559	QEKJ1CM-476Z	E CAPACITOR	47uF 16V M	
C308	QERF1EM-475Z	E CAPACITOR	4.7uF 25V M		C560	NCB31EK-104X	C CAPACITOR	0.1uF 25V K	
C311	NFV81CM-105X	MF CAPACITOR	1uF 16V M		C561	NCB31EK-104X	C CAPACITOR	0.1uF 25V K	
C312	NFV81CM-105X	MF CAPACITOR	1uF 16V M		C562	QEKJ1CM-476Z	E CAPACITOR	47uF 16V M	
C313	NDC31HJ-101X	C CAPACITOR	100pF 50V J		C563	NCB31EK-104X	C CAPACITOR	0.1uF 25V K	
C314	NDC31HJ-101X	C CAPACITOR	100pF 50V J		C564	NDC31HJ-680X	C CAPACITOR	68pF 50V J	
C315	NCB31HK-472X	C CAPACITOR	4700pF 50V K		C565	NCB31EK-153X	C CAPACITOR	0.015uF 25V K	
C316	NCB31HK-472X	C CAPACITOR	4700pF 50V K		C566	NCB31EK-104X	C CAPACITOR	0.1uF 25V K	
C317	QTE1C57-476Z	E CAPACITOR	47uF 16V		C567	NCB31EK-104X	C CAPACITOR	0.1uF 25V K	
					C568	NCB31HK-472X	C CAPACITOR	4700pF 50V K	

△ Symbol No.	Part No.	Part Name	Description	Local	△ Symbol No.	Part No.	Part Name	Description	Local
C569	NCB31HK-103X	C CAPACITOR	0.01uF 50V K		C978	QEKJ1HM-225Z	E CAPACITOR	2.2uF 50V M	
C570	NCB31HK-103X	C CAPACITOR	0.01uF 50V K		C991	NDC31HJ-471X	C CAPACITOR	470pF 50V J	
C571	NCB31EK-153X	C CAPACITOR	0.015uF 25V K		C992	NDC31HJ-471X	C CAPACITOR	470pF 50V J	
C572	NDC31HJ-470X	C CAPACITOR	47pF 50V J		C993	NDC31HJ-471X	C CAPACITOR	470pF 50V J	
C573	NCB31EK-333X	C CAPACITOR	0.033uF 25V K		C994	NDC31HJ-471X	C CAPACITOR	470pF 50V J	
C574	NCB31HK-103X	C CAPACITOR	0.01uF 50V K		C995	NDC31HJ-471X	C CAPACITOR	470pF 50V J	
C575	QEKJ1AM-107Z	E CAPACITOR	100uF 10V M		C996	NDC31HJ-471X	C CAPACITOR	470pF 50V J	
C576	NCB31HK-562X	C CAPACITOR	5600pF 50V K		C997	NDC31HJ-471X	C CAPACITOR	470pF 50V J	
C578	NCB31HK-103X	C CAPACITOR	0.01uF 50V K		C998	NDC31HJ-471X	C CAPACITOR	470pF 50V J	
C579	NCB31HK-103X	C CAPACITOR	0.01uF 50V K		C5001	NCB31CK-104X	C CAPACITOR	0.1uF 16V K	
C580	QTE1E57-475Z	E CAPACITOR	4.7uF 25V		C5002	NDC31HJ-270X	C CAPACITOR	27pF 50V J	
C581	NDC31HJ-101X	C CAPACITOR	100pF 50V J		C5003	NDC31HJ-270X	C CAPACITOR	27pF 50V J	
C582	NDC31HJ-151X	C CAPACITOR	150pF 50V J		C5004	QTE1A57-107Z	E CAPACITOR	100uF 10V	
C583	QTE0J57-476Z	E CAPACITOR	47uF 6.3V		C5005	NCB31CK-104X	C CAPACITOR	0.1uF 16V K	
C584	NDC31HJ-821X	C CAPACITOR	820pF 50V J		C5006	NCB31HK-123X	C CAPACITOR	0.012uF 50V K	
C590	QTE1E57-475Z	E CAPACITOR	4.7uF 25V		C5007	QTE0J57-476Z	E CAPACITOR	47uF 6.3V	
C591	NDC31HJ-101X	C CAPACITOR	100pF 50V J		C5008	NCB31CK-104X	C CAPACITOR	0.1uF 16V K	
C592	NDC31HJ-151X	C CAPACITOR	150pF 50V J		C5010	NCB31CK-104X	C CAPACITOR	0.1uF 16V K	
C593	QTE0J57-476Z	E CAPACITOR	47uF 6.3V		R2	NRSA63J-102X	MG RESISTOR	1kΩ 1/16W J	
C594	NDC31HJ-821X	C CAPACITOR	820pF 50V J		R3	NRSA63J-473X	MG RESISTOR	47kΩ 1/16W J	
C596	QEKJ1AM-107Z	E CAPACITOR	100uF 10V M		R4	NRSA63J-473X	MG RESISTOR	47kΩ 1/16W J	
C597	NCB31CK-104X	C CAPACITOR	0.1uF 16V K		R5	NRSA63J-472X	MG RESISTOR	4.7kΩ 1/16W J	
C701	QERF0JM-337Z	E CAPACITOR	330uF 6.3V M		R6	NRSA63J-472X	MG RESISTOR	4.7kΩ 1/16W J	
C702	NCB31HK-103X	C CAPACITOR	0.01uF 50V K		R8	NRSA63J-102X	MG RESISTOR	1kΩ 1/16W J	
C703	NDC31HJ-471X	C CAPACITOR	470pF 50V J		R9	NRS181J-120X	MG RESISTOR	12Ω 1/8W J	
C704	NCB31CK-104X	C CAPACITOR	0.1uF 16V K		R10	NRSA63J-332X	MG RESISTOR	3.3kΩ 1/16W J	
C705	NCB31EK-473X	C CAPACITOR	0.047uF 25V K		R11	NRS181J-120X	MG RESISTOR	12Ω 1/8W J	
C706	QERF0JM-337Z	E CAPACITOR	330uF 6.3V M		R71	NRSA63J-222X	MG RESISTOR	2.2kΩ 1/16W J	
C707	NCB31CK-104X	C CAPACITOR	0.1uF 16V K		R73	NRSA63J-222X	MG RESISTOR	2.2kΩ 1/16W J	
C708	NCB31CK-104X	C CAPACITOR	0.1uF 16V K		R74	NRSA02J-101X	MG RESISTOR	100Ω 1/10W J	
C709	NCB31CK-104X	C CAPACITOR	0.1uF 16V K		R75	NRSA63J-0R0X	MG RESISTOR	0Ω 1/16W J	
C710	QERF1AM-227Z	E CAPACITOR	220uF 10V M		R81	NRSA63J-123X	MG RESISTOR	12kΩ 1/16W J	
C711	NCB31EK-473X	C CAPACITOR	0.047uF 25V K		R82	NRSA63J-512X	MG RESISTOR	5.1kΩ 1/16W J	
C712	NDC31HJ-101X	C CAPACITOR	100pF 50V J		R91	NRSA63J-123X	MG RESISTOR	12kΩ 1/16W J	
C713	NDC31HJ-8R0X	C CAPACITOR	8pF 50V J		R92	NRSA63J-512X	MG RESISTOR	5.1kΩ 1/16W J	
C714	NDC31HJ-270X	C CAPACITOR	27pF 50V J		R163	NRSA63J-0R0X	MG RESISTOR	0Ω 1/16W J	
C715	NDC31HJ-270X	C CAPACITOR	27pF 50V J		R164	NRSA63J-222X	MG RESISTOR	2.2kΩ 1/16W J	
C716	NDC31HJ-220X	C CAPACITOR	22pF 50V J		R165	NRSA63J-222X	MG RESISTOR	2.2kΩ 1/16W J	
C717	QERF1AM-227Z	E CAPACITOR	220uF 10V M		R166	NRS181J-120X	MG RESISTOR	12Ω 1/8W J	
C718	NCB31HK-103X	C CAPACITOR	0.01uF 50V K		R167	NRSA63J-102X	MG RESISTOR	1kΩ 1/16W J	
C719	QERF1AM-227Z	E CAPACITOR	220uF 10V M		R168	NRSA63J-102X	MG RESISTOR	1kΩ 1/16W J	
C721	NCB31HK-223X	C CAPACITOR	0.022uF 50V K		R193	NRSA63J-222X	MG RESISTOR	2.2kΩ 1/16W J	
C722	NDC31HJ-102X	C CAPACITOR	1000pF 50V J		R194	NRSA02J-100X	MG RESISTOR	10Ω 1/10W J	
C723	QEKJ1AM-107Z	E CAPACITOR	100uF 10V M		R195	NRSA63J-222X	MG RESISTOR	2.2kΩ 1/16W J	
C724	NCB31HK-103X	C CAPACITOR	0.01uF 50V K		R260	NRSA63J-473X	MG RESISTOR	47kΩ 1/16W J	
C725	NCB31HK-102X	C CAPACITOR	1000pF 50V K		R261	NRSA63J-821X	MG RESISTOR	820Ω 1/16W J	
C726	NCB31HK-103X	C CAPACITOR	0.01uF 50V K		R262	NRSA63J-181X	MG RESISTOR	180Ω 1/16W J	
C781	NCB31CK-224X	C CAPACITOR	0.22uF 16V K		R263	NRSA63J-472X	MG RESISTOR	4.7kΩ 1/16W J	
C782	QEKJ0JM-107Z	E CAPACITOR	100uF 6.3V M		R301	NRSA63J-102X	MG RESISTOR	1kΩ 1/16W J	
C783	QEKJ1CM-107Z	E CAPACITOR	100uF 16V M		R302	NRSA63J-102X	MG RESISTOR	1kΩ 1/16W J	
C801	NCB31EK-473X	C CAPACITOR	0.047uF 25V K		R307	NRSA63J-103X	MG RESISTOR	10kΩ 1/16W J	
C802	NCB31EK-473X	C CAPACITOR	0.047uF 25V K		R308	NRSA63J-102X	MG RESISTOR	1kΩ 1/16W J	
C841	QEKJ1HM-105Z	E CAPACITOR	1uF 50V M		R309	NRSA63J-103X	MG RESISTOR	10kΩ 1/16W J	
C852	NCB31CK-104X	C CAPACITOR	0.1uF 16V K		R310	NRSA63J-473X	MG RESISTOR	47kΩ 1/16W J	
C881	QEKJ1CM-226Z	E CAPACITOR	22uF 16V M		R311	NRSA63J-102X	MG RESISTOR	1kΩ 1/16W J	
C891	NCB31EK-104X	C CAPACITOR	0.1uF 25V K		R312	NRSA63J-102X	MG RESISTOR	1kΩ 1/16W J	
C901	QERF0JM-337Z	E CAPACITOR	330uF 6.3V M		R317	NRSA63J-101X	MG RESISTOR	100Ω 1/16W J	
C902	QEKJ1AM-107Z	E CAPACITOR	100uF 10V M		R321	NRSA63J-821X	MG RESISTOR	820Ω 1/16W J	
C903	NCB31HK-103X	C CAPACITOR	0.01uF 50V K		R322	NRSA63J-181X	MG RESISTOR	180Ω 1/16W J	
C904	NCB31CK-104X	C CAPACITOR	0.1uF 16V K		R323	NRSA63J-222X	MG RESISTOR	2.2kΩ 1/16W J	
C905	QEKJ1CM-226Z	E CAPACITOR	22uF 16V M		R331	NRSA63J-821X	MG RESISTOR	820Ω 1/16W J	
C906	NCB31HK-103X	C CAPACITOR	0.01uF 50V K		R332	NRSA63J-181X	MG RESISTOR	180Ω 1/16W J	
C907	QEKJ1CM-106Z	E CAPACITOR	10uF 16V M		R333	NRSA63J-222X	MG RESISTOR	2.2kΩ 1/16W J	
C908	QEKJ1AM-107Z	E CAPACITOR	100uF 10V M		R341	NRSA63J-821X	MG RESISTOR	820Ω 1/16W J	
C909	QEKJ1CM-226Z	E CAPACITOR	22uF 16V M		R342	NRSA63J-181X	MG RESISTOR	180Ω 1/16W J	
C910	NCB31AK-474X	C CAPACITOR	0.47uF 10V K		R343	NRSA63J-222X	MG RESISTOR	2.2kΩ 1/16W J	
C911	QEKJ1CM-106Z	E CAPACITOR	10uF 16V M		R351	NRSA63J-821X	MG RESISTOR	820Ω 1/16W J	
C912	QEKJ1CM-106Z	E CAPACITOR	10uF 16V M		R352	NRSA63J-181X	MG RESISTOR	180Ω 1/16W J	
C913	NCB31CK-104X	C CAPACITOR	0.1uF 16V K		R353	NRSA63J-222X	MG RESISTOR	2.2kΩ 1/16W J	
C915	QEKJ1CM-106Z	E CAPACITOR	10uF 16V M		R360	NRSA63J-102X	MG RESISTOR	1kΩ 1/16W J	
C916	NCB31CK-104X	C CAPACITOR	0.1uF 16V K		R361	NRSA63J-104X	MG RESISTOR	100kΩ 1/16W J	
C917	NCB31CK-104X	C CAPACITOR	0.1uF 16V K		R362	NRSA63J-102X	MG RESISTOR	1kΩ 1/16W J	
C941	NCB31EK-104X	C CAPACITOR	0.1uF 25V K		R363	NRSA63J-104X	MG RESISTOR	100kΩ 1/16W J	
C942	NCB31EK-104X	C CAPACITOR	0.1uF 25V K		R364	NRSA63J-333X	MG RESISTOR	33kΩ 1/16W J	
C943	QEKJ1CM-107Z	E CAPACITOR	100uF 16V M		R365	NRSA63J-223X	MG RESISTOR	22kΩ 1/16W J	
C945	NCB31EK-104X	C CAPACITOR	0.1uF 25V K		R366	NRSA63J-473X	MG RESISTOR	47kΩ 1/16W J	
C961	QEZ0723-338	E CAPACITOR	3300uF		R367	NRSA63J-473X	MG RESISTOR	47kΩ 1/16W J	
C962	QEKJ1CM-107Z	E CAPACITOR	100uF 16V M						



△ Symbol No.	Part No.	Part Name	Description	Local	△ Symbol No.	Part No.	Part Name	Description	Local
R370	NRSA63J-333X	MG RESISTOR	33kΩ 1/16W J		R579	NRSA63J-103X	MG RESISTOR	10kΩ 1/16W J	
R371	NRSA63J-223X	MG RESISTOR	22kΩ 1/16W J		R580	NRSA02J-100X	MG RESISTOR	10Ω 1/10W J	
R380	NRSA63J-102X	MG RESISTOR	1kΩ 1/16W J		R581	NRSA63J-0R0X	MG RESISTOR	0Ω 1/16W J	
R381	NRSA63J-104X	MG RESISTOR	100kΩ 1/16W J		R583	NRSA63J-243X	MG RESISTOR	24kΩ 1/16W J	
R382	NRSA63J-102X	MG RESISTOR	1kΩ 1/16W J		R585	NRSA63J-273X	MG RESISTOR	27kΩ 1/16W J	
R383	NRSA63J-104X	MG RESISTOR	100kΩ 1/16W J		R586	NRSA63J-822X	MG RESISTOR	8.2kΩ 1/16W J	
R384	NRSA63J-333X	MG RESISTOR	33kΩ 1/16W J		R587	NRSA63J-103X	MG RESISTOR	10kΩ 1/16W J	
R385	NRSA63J-223X	MG RESISTOR	22kΩ 1/16W J		R588	NRSA63J-103X	MG RESISTOR	10kΩ 1/16W J	
R386	NRSA63J-473X	MG RESISTOR	47kΩ 1/16W J		R589	NRSA63J-152X	MG RESISTOR	1.5kΩ 1/16W J	
R387	NRSA63J-473X	MG RESISTOR	47kΩ 1/16W J		R591	NRSA63J-0R0X	MG RESISTOR	0Ω 1/16W J	
R390	NRSA63J-333X	MG RESISTOR	33kΩ 1/16W J		R593	NRSA63J-243X	MG RESISTOR	24kΩ 1/16W J	
R391	NRSA63J-223X	MG RESISTOR	22kΩ 1/16W J		R595	NRSA63J-273X	MG RESISTOR	27kΩ 1/16W J	
R392	NRSA02J-100X	MG RESISTOR	10Ω 1/10W J		R596	NRSA63J-822X	MG RESISTOR	8.2kΩ 1/16W J	
R502	NRSA02J-0R0X	MG RESISTOR	0Ω 1/10W J		R597	NRSA63J-103X	MG RESISTOR	10kΩ 1/16W J	
R503	NRSA02J-0R0X	MG RESISTOR	0Ω 1/10W J		R598	NRSA63J-103X	MG RESISTOR	10kΩ 1/16W J	
R504	NRSA63J-822X	MG RESISTOR	8.2kΩ 1/16W J		R599	NRSA63J-152X	MG RESISTOR	1.5kΩ 1/16W J	
R505	NRSA63J-512X	MG RESISTOR	5.1kΩ 1/16W J		R702	NRSA63J-821X	MG RESISTOR	820Ω 1/16W J	
R511	NRSA63J-103X	MG RESISTOR	10kΩ 1/16W J		R703	NRSA63J-473X	MG RESISTOR	47kΩ 1/16W J	
R512	NRSA63J-752X	MG RESISTOR	7.5kΩ 1/16W J		R704	NRSA63J-106X	MG RESISTOR	10MΩ 1/16W J	
R513	NRSA63J-332X	MG RESISTOR	3.3kΩ 1/16W J		R705	NRSA63J-103X	MG RESISTOR	10kΩ 1/16W J	
R514	NRSA63J-103X	MG RESISTOR	10kΩ 1/16W J		R706	NRSA63J-472X	MG RESISTOR	4.7kΩ 1/16W J	
R515	NRSA63J-682X	MG RESISTOR	6.8kΩ 1/16W J		R707	NRSA63J-473X	MG RESISTOR	47kΩ 1/16W J	
R518	NRSA63J-302X	MG RESISTOR	3kΩ 1/16W J		R708	NRSA63J-102X	MG RESISTOR	1kΩ 1/16W J	
R519	NRSA63J-123X	MG RESISTOR	12kΩ 1/16W J		R709	NRSA63J-102X	MG RESISTOR	1kΩ 1/16W J	
R520	NRSA63J-822X	MG RESISTOR	8.2kΩ 1/16W J		R710	NRSA63J-222X	MG RESISTOR	2.2kΩ 1/16W J	
R521	NRSA63J-152X	MG RESISTOR	1.5kΩ 1/16W J		R711	NRSA63J-473X	MG RESISTOR	47kΩ 1/16W J	
R522	NRSA63J-152X	MG RESISTOR	1.5kΩ 1/16W J		R712	NRSA63J-101X	MG RESISTOR	100Ω 1/16W J	
R523	NRSA63J-152X	MG RESISTOR	1.5kΩ 1/16W J		R713	NRSA63J-473X	MG RESISTOR	47kΩ 1/16W J	
R524	NRSA63J-151X	MG RESISTOR	150Ω 1/16W J		R714	NRSA63J-473X	MG RESISTOR	47kΩ 1/16W J	
R525	NRS181J-101X	MG RESISTOR	100Ω 1/8W J		R716	NRSA63J-101X	MG RESISTOR	100Ω 1/16W J	
R526	NRS181J-101X	MG RESISTOR	100Ω 1/8W J		R717	NRSA63J-103X	MG RESISTOR	10kΩ 1/16W J	
R527	NRSA63J-473X	MG RESISTOR	47kΩ 1/16W J		R718	NRSA63J-103X	MG RESISTOR	10kΩ 1/16W J	
R528	NRSA63J-102X	MG RESISTOR	1kΩ 1/16W J		R719	NRSA63J-473X	MG RESISTOR	47kΩ 1/16W J	
R529	NRSA63J-102X	MG RESISTOR	1kΩ 1/16W J		R721	NRSA63J-102X	MG RESISTOR	1kΩ 1/16W J	
R530	NRSA63J-105X	MG RESISTOR	1MΩ 1/16W J		R722	NRSA63J-473X	MG RESISTOR	47kΩ 1/16W J	
R532	NRSA63J-221X	MG RESISTOR	220Ω 1/16W J		R723	NRSA63J-242X	MG RESISTOR	2.4kΩ 1/16W J	
R533	NRSA63J-103X	MG RESISTOR	10kΩ 1/16W J		R724	NRSA63J-473X	MG RESISTOR	47kΩ 1/16W J	
R534	NRSA63J-103X	MG RESISTOR	10kΩ 1/16W J		R725	NRSA63J-242X	MG RESISTOR	2.4kΩ 1/16W J	
R535	NRSA63J-103X	MG RESISTOR	10kΩ 1/16W J		R726	NRSA63J-473X	MG RESISTOR	47kΩ 1/16W J	
R536	NRSA63J-103X	MG RESISTOR	10kΩ 1/16W J		R727	NRSA63J-473X	MG RESISTOR	47kΩ 1/16W J	
R537	NRSA63J-103X	MG RESISTOR	10kΩ 1/16W J		R728	NRSA63J-0R0X	MG RESISTOR	0Ω 1/16W J	
R538	NRSA63J-103X	MG RESISTOR	10kΩ 1/16W J		R730	NRSA63J-0R0X	MG RESISTOR	0Ω 1/16W J	
R539	NRSA63J-103X	MG RESISTOR	10kΩ 1/16W J		R732	NRSA63J-473X	MG RESISTOR	47kΩ 1/16W J	
R540	NRSA63J-103X	MG RESISTOR	10kΩ 1/16W J		R733	NRSA63J-102X	MG RESISTOR	1kΩ 1/16W J	
R541	NRSA63J-101X	MG RESISTOR	100Ω 1/16W J		R734	NRSA63J-102X	MG RESISTOR	1kΩ 1/16W J	
R542	NRSA63J-103X	MG RESISTOR	10kΩ 1/16W J		R735	NRSA63J-103X	MG RESISTOR	10kΩ 1/16W J	
R543	NRSA63J-101X	MG RESISTOR	100Ω 1/16W J		R736	NRSA63J-103X	MG RESISTOR	10kΩ 1/16W J	
R544	NRSA63J-101X	MG RESISTOR	100Ω 1/16W J		R737	NRSA63J-271X	MG RESISTOR	270Ω 1/16W J	
R545	NRSA63J-104X	MG RESISTOR	100kΩ 1/16W J		R738	NRSA63J-271X	MG RESISTOR	270Ω 1/16W J	
R546	NRSA63J-104X	MG RESISTOR	100kΩ 1/16W J		R739	NRSA63J-103X	MG RESISTOR	10kΩ 1/16W J	
R547	NRSA63J-472X	MG RESISTOR	4.7kΩ 1/16W J		R740	NRSA63J-473X	MG RESISTOR	47kΩ 1/16W J	
R548	NRSA63J-562X	MG RESISTOR	5.6kΩ 1/16W J		R741	NRSA63J-103X	MG RESISTOR	10kΩ 1/16W J	
R549	NRSA63J-154X	MG RESISTOR	150kΩ 1/16W J		R742	NRSA63J-473X	MG RESISTOR	47kΩ 1/16W J	
R550	NRSA63J-334X	MG RESISTOR	330kΩ 1/16W J		R743	NRSA63J-122X	MG RESISTOR	1.2kΩ 1/16W J	
R551	NRSA63J-473X	MG RESISTOR	47kΩ 1/16W J		R744	NRSA63J-122X	MG RESISTOR	1.2kΩ 1/16W J	
R552	NRSA63J-153X	MG RESISTOR	15kΩ 1/16W J		R745	NRSA63J-102X	MG RESISTOR	1kΩ 1/16W J	
R553	NRSA63J-223X	MG RESISTOR	22kΩ 1/16W J		R746	NRSA63J-392X	MG RESISTOR	3.9kΩ 1/16W J	
R556	NRSA63J-0R0X	MG RESISTOR	0Ω 1/16W J		R747	NRSA63J-392X	MG RESISTOR	3.9kΩ 1/16W J	
R557	NRSA63J-0R0X	MG RESISTOR	0Ω 1/16W J		R748	NRSA63J-392X	MG RESISTOR	3.9kΩ 1/16W J	
R560	NRSA63J-104X	MG RESISTOR	100kΩ 1/16W J		R749	NRSA63J-102X	MG RESISTOR	1kΩ 1/16W J	
R561	NRSA63J-101X	MG RESISTOR	100Ω 1/16W J		R751	NRSA63J-102X	MG RESISTOR	1kΩ 1/16W J	
R562	NRSA63J-101X	MG RESISTOR	100Ω 1/16W J		R753	NRSA63J-331X	MG RESISTOR	330Ω 1/16W J	
R563	NRSA63J-101X	MG RESISTOR	100Ω 1/16W J		R755	NRSA63J-331X	MG RESISTOR	330Ω 1/16W J	
R564	NRSA63J-101X	MG RESISTOR	100Ω 1/16W J		R757	NRSA63J-102X	MG RESISTOR	1kΩ 1/16W J	
R565	NRSA63J-101X	MG RESISTOR	100Ω 1/16W J		R758	NRSA63J-102X	MG RESISTOR	1kΩ 1/16W J	
R566	NRSA63J-101X	MG RESISTOR	100Ω 1/16W J		R759	NRSA63J-102X	MG RESISTOR	1kΩ 1/16W J	
R567	NRSA63J-101X	MG RESISTOR	100Ω 1/16W J		R760	NRSA63J-103X	MG RESISTOR	10kΩ 1/16W J	
R568	NRSA63J-223X	MG RESISTOR	22kΩ 1/16W J		R761	NRSA63J-102X	MG RESISTOR	1kΩ 1/16W J	
R569	NRSA63J-473X	MG RESISTOR	47kΩ 1/16W J		R762	NRSA63J-0R0X	MG RESISTOR	0Ω 1/16W J	
R570	NRSA63J-103X	MG RESISTOR	10kΩ 1/16W J		R763	NRSA63J-122X	MG RESISTOR	1.2kΩ 1/16W J	
R571	NRSA63J-103X	MG RESISTOR	10kΩ 1/16W J		R764	NRSA63J-102X	MG RESISTOR	1kΩ 1/16W J	
R572	NRSA63J-103X	MG RESISTOR	10kΩ 1/16W J		R765	NRSA63J-102X	MG RESISTOR	1kΩ 1/16W J	
R573	NRSA63J-103X	MG RESISTOR	10kΩ 1/16W J		R766	NRSA63J-473X	MG RESISTOR	47kΩ 1/16W J	
R574	NRSA63J-103X	MG RESISTOR	10kΩ 1/16W J		R768	NRSA63J-102X	MG RESISTOR	1kΩ 1/16W J	
R575	NRSA63J-103X	MG RESISTOR	10kΩ 1/16W J		R769	NRSA63J-473X	MG RESISTOR	47kΩ 1/16W J	
R576	NRSA63J-103X	MG RESISTOR	10kΩ 1/16W J		R771	NRSA63J-102X	MG RESISTOR	1kΩ 1/16W J	
R577	NRSA02J-220X	MG RESISTOR	22Ω 1/10W J		R772	NRSA63J-473X	MG RESISTOR	47kΩ 1/16W J	
R578	NRSA02J-220X	MG RESISTOR	22Ω 1/10W J		R775	NRSA63J-473X	MG RESISTOR	47kΩ 1/16W J	

△ Symbol No.	Part No.	Part Name	Description	Local
R776	NRSA63J-101X	MG RESISTOR	100Ω 1/16W J	
R777	NRSA63J-101X	MG RESISTOR	100Ω 1/16W J	
R778	NRSA63J-101X	MG RESISTOR	100Ω 1/16W J	
R779	NRSA63J-103X	MG RESISTOR	10kΩ 1/16W J	
R780	NRSA63J-101X	MG RESISTOR	100Ω 1/16W J	
R781	NRSA63J-101X	MG RESISTOR	100Ω 1/16W J	
R782	NRSA63J-101X	MG RESISTOR	100Ω 1/16W J	
R783	NRSA63J-101X	MG RESISTOR	100Ω 1/16W J	
R786	NRSA63J-473X	MG RESISTOR	47kΩ 1/16W J	
R787	NRSA63J-102X	MG RESISTOR	1kΩ 1/16W J	
R788	NRSA63J-102X	MG RESISTOR	1kΩ 1/16W J	
R789	NRSA63J-101X	MG RESISTOR	100Ω 1/16W J	
R790	NRSA63J-473X	MG RESISTOR	47kΩ 1/16W J	
R791	NRSA63J-682X	MG RESISTOR	6.8kΩ 1/16W J	
R792	NRSA63J-682X	MG RESISTOR	6.8kΩ 1/16W J	
R793	NRSA63J-682X	MG RESISTOR	6.8kΩ 1/16W J	
R794	NRSA02J-911X	MG RESISTOR	910Ω 1/10W J	
R795	NRSA02J-911X	MG RESISTOR	910Ω 1/10W J	
R797	NRSA63J-102X	MG RESISTOR	1kΩ 1/16W J	
R798	NRSA63J-181X	MG RESISTOR	180Ω 1/16W J	
R801	NRSA63J-223X	MG RESISTOR	22kΩ 1/16W J	
R802	NRSA63J-104X	MG RESISTOR	100kΩ 1/16W J	
R803	NRSA63J-101X	MG RESISTOR	100Ω 1/16W J	
R804	NRSA63J-473X	MG RESISTOR	47kΩ 1/16W J	
R805	NRSA63J-103X	MG RESISTOR	10kΩ 1/16W J	
R806	NRSA63J-104X	MG RESISTOR	100kΩ 1/16W J	
R807	NRSA63J-331X	MG RESISTOR	330Ω 1/16W J	
R808	NRSA63J-101X	MG RESISTOR	100Ω 1/16W J	
R809	NRSA63J-223X	MG RESISTOR	22kΩ 1/16W J	
R810	NRSA63J-473X	MG RESISTOR	47kΩ 1/16W J	
R841	NRSA63J-332X	MG RESISTOR	3.3kΩ 1/16W J	
R852	NRS181J-102X	MG RESISTOR	1kΩ 1/8W J	
R881	NRSA63J-104X	MG RESISTOR	100kΩ 1/16W J	
R882	NRSA63J-472X	MG RESISTOR	4.7kΩ 1/16W J	
R883	NRSA63J-473X	MG RESISTOR	47kΩ 1/16W J	
R892	NRSA63J-473X	MG RESISTOR	47kΩ 1/16W J	
R893	NRSA63J-102X	MG RESISTOR	1kΩ 1/16W J	
R901	NRSA63J-473X	MG RESISTOR	47kΩ 1/16W J	
R902	NRSA63J-562X	MG RESISTOR	5.6kΩ 1/16W J	
R903	NRSA63J-102X	MG RESISTOR	1kΩ 1/16W J	
R904	NRSA63J-103X	MG RESISTOR	10kΩ 1/16W J	
R905	NRSA63J-473X	MG RESISTOR	47kΩ 1/16W J	
R906	NRSA63J-473X	MG RESISTOR	47kΩ 1/16W J	
R941	NRSA63J-103X	MG RESISTOR	10kΩ 1/16W J	
R976	NRSA63J-682X	MG RESISTOR	6.8kΩ 1/16W J	
R977	NRSA63J-183X	MG RESISTOR	18kΩ 1/16W J	
R978	QRE142J-102X	C RESISTOR	1kΩ 1/4W J	
R979	NRSA63J-912X	MG RESISTOR	9.1kΩ 1/16W J	
R980	NRSA63J-472X	MG RESISTOR	4.7kΩ 1/16W J	
R5001	NRSA63J-101X	MG RESISTOR	100Ω 1/16W J	
R5002	NRSA63J-225X	MG RESISTOR	2.2MΩ 1/16W J	
R5003	NRSA63J-102X	MG RESISTOR	1kΩ 1/16W J	
R5006	NRSA63J-122X	MG RESISTOR	1.2kΩ 1/16W J	
R5007	NRSA63J-470X	MG RESISTOR	47Ω 1/16W J	
R5008	NRSA63J-470X	MG RESISTOR	47Ω 1/16W J	
R5009	NRSA63J-470X	MG RESISTOR	47Ω 1/16W J	
R5010	NRSA63J-101X	MG RESISTOR	100Ω 1/16W J	
R5011	NRSA63J-101X	MG RESISTOR	100Ω 1/16W J	
R5012	NRSA63J-101X	MG RESISTOR	100Ω 1/16W J	
R5015	NRSA63J-103X	MG RESISTOR	10kΩ 1/16W J	
R5016	NRSA63J-473X	MG RESISTOR	47kΩ 1/16W J	
R535A	NRSA63J-332X	MG RESISTOR	3.3kΩ 1/16W J	
R7001	NRSA02J-911X	MG RESISTOR	910Ω 1/10W J	
R7002	NRSA02J-911X	MG RESISTOR	910Ω 1/10W J	
R7003	NRSA63J-102X	MG RESISTOR	1kΩ 1/16W J	
RA701	NRZ0065-102X	MG RESISTOR	1kΩ	
L1	QQL244J-4R7Z	COIL	4.7uH J	
L571	NQL114K-470X	COIL	47uH K	
L572	NQL114K-470X	COIL	47uH K	
L701	QQL244J-470Z	COIL	47uH J	
L702	NQL79GM-470X	COIL	47uH M	
L703	NQL79GM-470X	COIL	47uH M	
L704	NQL114M-1R0X	COIL	1uH M	
L706	NQL79GM-470X	COIL	47uH M	
L961	QQR1378-00Z	CHOKE COIL		
L5002	NQL79GM-470X	COIL	47uH M	
L5003	NQL093K-1R8X	COIL	1.8uH K	

△ Symbol No.	Part No.	Part Name	Description	Local
L5004	NQL093K-1R8X	COIL	1.8uH K	
BZ841	QAN0023-001Z	BUZZER		
CN501	QGB2027M4-22S	CONNECTOR	B-B (1-22)	
CN701	QNZ0605-001	CAR CONNECTOR		
CN702	QGB1004J2-16X	CONNECTOR	B-B (1-16)	
CN703	WJK0224-001A-E	2PIN CABLE		
CN901	QNZ0611-001	16P CONNECTOR		
J1	QAM0105-003	CAR CABLE		
J321	QNN0748-001	PIN JACK		
J801	QNZ0095-001	CIR CONNECTOR		
S701	QSW0451-001	DETECT SW		
S702	QSW0451-001	DETECT SW		
S703	QSW1049-001Z	TACT SW		
TU1	QAU0455-001	TUNNER PACK		
X71	QAX0263-001Z	CRYSTAL		
X701	QAX0617-001Z	CRYSTAL		
X702	QAX0401-001	CRYSTAL		
X5001	NAX0375-001X	CRYSTAL		

## Switch board (KD-GAR870,G820,G824,G825)

Block No. [0][4]

△ Symbol No.	Part No.	Part Name	Description	Local
IC401	MN102H60KSB1	IC		
IC402	SA16M90TFIR11H	IC(PROGRAMED)		
IC403	S-80824CNNB-G-W	IC		
IC404	NJU7241F33-X	IC		
IC405	RPM7338-V4	RECEIVER REMOCO		
Q411	2SA1530A/QR/-X	TRANSISTOR		
Q412	2SA1530A/QR/-X	TRANSISTOR		
Q413	2SC3928A/QR/-X	TRANSISTOR		
Q421	2SC3928A/QR/-X	TRANSISTOR		
Q422	2SC3928A/QR/-X	TRANSISTOR		
Q423	2SC3928A/QR/-X	TRANSISTOR		
Q424	2SC3928A/QR/-X	TRANSISTOR		
Q425	2SC3928A/QR/-X	TRANSISTOR		
Q426	2SC3928A/QR/-X	TRANSISTOR		
Q427	2SC3928A/QR/-X	TRANSISTOR		
Q428	2SC3928A/QR/-X	TRANSISTOR		
Q429	2SC3928A/QR/-X	TRANSISTOR		
Q430	2SC3928A/QR/-X	TRANSISTOR		
Q431	2SC3928A/QR/-X	TRANSISTOR		
Q432	2SC3928A/QR/-X	TRANSISTOR		
D401	SML310BA1T/HJ-X	LED		
D402	SML310BA1T/HJ-X	LED		
D403	SML310BA1T/HJ-X	LED		
D404	SML310BA1T/HJ-X	LED		
D405	LSQ971/KL/-X	LED		
D406	LSQ971/KL/-X	LED		
D407	LSQ971/KL/-X	LED		
D408	LSQ971/KL/-X	LED		
D409	LSQ971/KL/-X	LED		
D410	LSQ971/KL/-X	LED		
D411	LSQ971/KL/-X	LED		
D412	LSQ971/KL/-X	LED		
D413	LSQ971/KL/-X	LED		
D414	LSQ971/KL/-X	LED		
D415	LSQ971/KL/-X	LED		
D416	LSQ971/KL/-X	LED		
D417	LSQ971/KL/-X	LED		
D418	LSQ971/KL/-X	LED		
D419	LSQ971/KL/-X	LED		
D420	SML310BA1T/HJ-X	LED		
D421	UDZW6.2B-X	DIODE		
D422	UDZW6.2B-X	DIODE		
D423	UDZW6.2B-X	DIODE		
D424	UDZW6.2B-X	DIODE		
D425	UDZW6.2B-X	DIODE		

△ Symbol No.	Part No.	Part Name	Description	Local	△ Symbol No.	Part No.	Part Name	Description	Local
D426	UDZW6.2B-X	DIODE			R417	NRSA63J-821X	MG RESISTOR	820Ω 1/16W J	
D427	UDZW6.2B-X	DIODE			R421	NRSA63J-301X	MG RESISTOR	300Ω 1/16W J	
D428	UDZW6.2B-X	DIODE			R422	NRSA63J-271X	MG RESISTOR	270Ω 1/16W J	
D429	UDZW6.2B-X	DIODE			R423	NRSA63J-391X	MG RESISTOR	390Ω 1/16W J	
D430	MC2838-X	DOUBLE DIODE			R424	NRSA63J-561X	MG RESISTOR	560Ω 1/16W J	
D431	MC2836-X	DOUBLE DIODE			R425	NRSA63J-821X	MG RESISTOR	820Ω 1/16W J	
D432	1SS355W-X	SI DIODE			R426	NRSA63J-152X	MG RESISTOR	1.5kΩ 1/16W J	
D433	UDZW6.2B-X	DIODE			R427	NRSA63J-301X	MG RESISTOR	300Ω 1/16W J	
D434	UDZW6.2B-X	DIODE			R428	NRSA63J-271X	MG RESISTOR	270Ω 1/16W J	
D435	UDZW6.2B-X	DIODE			R429	NRSA63J-391X	MG RESISTOR	390Ω 1/16W J	
D436	UDZW6.2B-X	DIODE			R430	NRSA63J-561X	MG RESISTOR	560Ω 1/16W J	
D437	UDZW6.2B-X	DIODE			R431	NRSA63J-821X	MG RESISTOR	820Ω 1/16W J	
D438	UDZW6.2B-X	DIODE			R432	NRSA63J-152X	MG RESISTOR	1.5kΩ 1/16W J	
D442	MC2838-X	DOUBLE DIODE			R433	NRSA63J-0R0X	MG RESISTOR	0Ω 1/16W J	
D446	UDZW6.2B-X	DIODE			R434	NRSA63J-473X	MG RESISTOR	47kΩ 1/16W J	
D447	UDZW6.2B-X	DIODE			R435	NRSA63J-103X	MG RESISTOR	10kΩ 1/16W J	
D451	NSCM315C/ZI-W	LED			R436	NRSA63J-331X	MG RESISTOR	330Ω 1/16W J	
D452	NSCM315C/ZI-W	LED			R437	NRSA63J-331X	MG RESISTOR	330Ω 1/16W J	
					R438	NRSA63J-331X	MG RESISTOR	330Ω 1/16W J	
C401	NBE20JM-475X	TA E CAPACITOR	4.7uF 6.3V M		R439	NRSA63J-331X	MG RESISTOR	330Ω 1/16W J	
C403	NBE20JM-106X	TA E CAPACITOR	10uF 6.3V M		R440	NRSA63J-331X	MG RESISTOR	330Ω 1/16W J	
C404	NCB31EK-473X	C CAPACITOR	0.047uF 25V K		R441	NRSA63J-331X	MG RESISTOR	330Ω 1/16W J	
C405	NDC31HJ-7R0X	C CAPACITOR	7pF 50V J		R442	NRSA63J-680X	MG RESISTOR	68Ω 1/16W J	
C406	NDC31HJ-7R0X	C CAPACITOR	7pF 50V J		R443	NRSA63J-473X	MG RESISTOR	47kΩ 1/16W J	
C407	NDC31HJ-471X	C CAPACITOR	470pF 50V J		R444	NRSA63J-102X	MG RESISTOR	1kΩ 1/16W J	
C408	NDC31HJ-471X	C CAPACITOR	470pF 50V J		R445	NRSA63J-822X	MG RESISTOR	8.2kΩ 1/16W J	
C409	NCB31EK-473X	C CAPACITOR	0.047uF 25V K		R446	NRSA63J-102X	MG RESISTOR	1kΩ 1/16W J	
C410	NBE20JM-475X	TA E CAPACITOR	4.7uF 6.3V M		R447	NRSA63J-102X	MG RESISTOR	1kΩ 1/16W J	
C411	NBE20JM-475X	TA E CAPACITOR	4.7uF 6.3V M		R448	NRSA63J-104X	MG RESISTOR	100kΩ 1/16W J	
C412	NBE20JM-475X	TA E CAPACITOR	4.7uF 6.3V M		R449	NRSA63J-104X	MG RESISTOR	100kΩ 1/16W J	
C414	NCB31EK-473X	C CAPACITOR	0.047uF 25V K		R450	NRSA63J-222X	MG RESISTOR	2.2kΩ 1/16W J	
C415	NCB31EK-473X	C CAPACITOR	0.047uF 25V K		R451	NRSA63J-222X	MG RESISTOR	2.2kΩ 1/16W J	
C416	NBE20JM-106X	TA E CAPACITOR	10uF 6.3V M		R452	NRSA63J-104X	MG RESISTOR	100kΩ 1/16W J	
C417	NBE20JM-106X	TA E CAPACITOR	10uF 6.3V M		R453	NRSA63J-103X	MG RESISTOR	10kΩ 1/16W J	
C418	NCB31EK-473X	C CAPACITOR	0.047uF 25V K		R454	NRSA63J-103X	MG RESISTOR	10kΩ 1/16W J	
C419	NBE20JM-106X	TA E CAPACITOR	10uF 6.3V M		R455	NRSA63J-153X	MG RESISTOR	15kΩ 1/16W J	
C420	NCB31EK-473X	C CAPACITOR	0.047uF 25V K		R456	NRSA63J-102X	MG RESISTOR	1kΩ 1/16W J	
C421	NBE20JM-475X	TA E CAPACITOR	4.7uF 6.3V M		R457	NRSA63J-102X	MG RESISTOR	1kΩ 1/16W J	
C422	NBE20JM-106X	TA E CAPACITOR	10uF 6.3V M		R458	NRSA63J-473X	MG RESISTOR	47kΩ 1/16W J	
C423	NCB31AK-474X	C CAPACITOR	0.47uF 10V K		R459	NRSA63J-473X	MG RESISTOR	47kΩ 1/16W J	
C424	NCB31HK-471X	C CAPACITOR	470pF 50V K		R460	NRSA63J-152X	MG RESISTOR	1.5kΩ 1/16W J	
C426	NCB31AK-474X	C CAPACITOR	0.47uF 10V K		R461	NRSA63J-152X	MG RESISTOR	1.5kΩ 1/16W J	
C430	NCB31EK-473X	C CAPACITOR	0.047uF 25V K		R462	NRSA63J-152X	MG RESISTOR	1.5kΩ 1/16W J	
C431	NCJ31CK-105X-A	C CAPACITOR	1uF 16V K		R463	NRSA63J-103X	MG RESISTOR	10kΩ 1/16W J	
C432	NCJ31CK-105X-A	C CAPACITOR	1uF 16V K		R465	NRSA63J-331X	MG RESISTOR	330Ω 1/16W J	
C433	NCJ31CK-105X-A	C CAPACITOR	1uF 16V K		R466	NRSA63J-473X	MG RESISTOR	47kΩ 1/16W J	
C434	NCJ31CK-105X-A	C CAPACITOR	1uF 16V K		R467	NRSA63J-474X	MG RESISTOR	470kΩ 1/16W J	
C435	NCJ31CK-105X-A	C CAPACITOR	1uF 16V K		R468	NRSA63J-473X	MG RESISTOR	47kΩ 1/16W J	
C436	NCJ31CK-105X-A	C CAPACITOR	1uF 16V K		R469	NRSA63J-473X	MG RESISTOR	47kΩ 1/16W J	
C437	NCJ31CK-105X-A	C CAPACITOR	1uF 16V K		R470	NRSA63J-391X	MG RESISTOR	390Ω 1/16W J	
C438	NCJ31CK-105X-A	C CAPACITOR	1uF 16V K		R471	NRSA63J-391X	MG RESISTOR	390Ω 1/16W J	
C439	NCJ31CK-105X-A	C CAPACITOR	1uF 16V K		R472	NRSA63J-391X	MG RESISTOR	390Ω 1/16W J	
C440	NCJ31CK-105X-A	C CAPACITOR	1uF 16V K		R473	NRSA63J-561X	MG RESISTOR	560Ω 1/16W J	
C441	NCB11EM-105X	C CAPACITOR	1uF 25V M		R474	NRSA63J-561X	MG RESISTOR	560Ω 1/16W J	
C442	NCB11EM-105X	C CAPACITOR	1uF 25V M		R475	NRSA63J-561X	MG RESISTOR	560Ω 1/16W J	
C443	NCJ31CK-105X-A	C CAPACITOR	1uF 16V K		R476	NRSA63J-391X	MG RESISTOR	390Ω 1/16W J	
C444	NCB11EM-105X	C CAPACITOR	1uF 25V M		R477	NRSA63J-391X	MG RESISTOR	390Ω 1/16W J	
C445	NCJ31CK-105X-A	C CAPACITOR	1uF 16V K		R478	NRSA63J-391X	MG RESISTOR	390Ω 1/16W J	
C446	NCJ31CK-105X-A	C CAPACITOR	1uF 16V K		R479	NRSA63J-391X	MG RESISTOR	390Ω 1/16W J	
C447	NCB21CK-105X	C CAPACITOR	1uF 16V K		R480	NRSA63J-391X	MG RESISTOR	390Ω 1/16W J	
C448	NCB21CK-105X	C CAPACITOR	1uF 16V K		R481	NRSA63J-391X	MG RESISTOR	390Ω 1/16W J	
C449	NCB31EK-473X	C CAPACITOR	0.047uF 25V K		R482	NRSA63J-561X	MG RESISTOR	560Ω 1/16W J	
C450	NBE20JM-475X	TA E CAPACITOR	4.7uF 6.3V M		R483	NRSA63J-561X	MG RESISTOR	560Ω 1/16W J	
C451	NCB31EK-473X	C CAPACITOR	0.047uF 25V K		R484	NRSA63J-561X	MG RESISTOR	560Ω 1/16W J	
C452	NCB31EK-473X	C CAPACITOR	0.047uF 25V K		R485	NRSA63J-391X	MG RESISTOR	390Ω 1/16W J	
C453	NCB31EK-473X	C CAPACITOR	0.047uF 25V K		R486	NRSA63J-391X	MG RESISTOR	390Ω 1/16W J	
C454	NCB31EK-473X	C CAPACITOR	0.047uF 25V K		R487	NRSA63J-391X	MG RESISTOR	390Ω 1/16W J	
C455	NCB31EK-473X	C CAPACITOR	0.047uF 25V K		R498	NRSA63J-0R0X	MG RESISTOR	0Ω 1/16W J	
C456	NCB31EK-473X	C CAPACITOR	0.047uF 25V K		R4002	NRSA63J-471X	MG RESISTOR	470Ω 1/16W J	
					R4003	NRSA63J-474X	MG RESISTOR	470kΩ 1/16W J	
R402	NRSA63J-680X	MG RESISTOR	68Ω 1/16W J		R4004	NRSA63J-104X	MG RESISTOR	100kΩ 1/16W J	
R403	NRS181J-101X	MG RESISTOR	100Ω 1/8W J		R4006	NRSA63J-102X	MG RESISTOR	1kΩ 1/16W J	
R405	NRSA63J-201X	MG RESISTOR	200Ω 1/16W J		R4007	NRSA63J-102X	MG RESISTOR	1kΩ 1/16W J	
R407	NRSA63J-331X	MG RESISTOR	330Ω 1/16W J		R4008	NRSA63J-473X	MG RESISTOR	47kΩ 1/16W J	
R409	NRSA63J-201X	MG RESISTOR	200Ω 1/16W J		R4009	NRSA63J-473X	MG RESISTOR	47kΩ 1/16W J	
R411	NRSA63J-201X	MG RESISTOR	200Ω 1/16W J		R4010	NRSA63J-102X	MG RESISTOR	1kΩ 1/16W J	
R413	NRSA63J-331X	MG RESISTOR	330Ω 1/16W J		R4014	NRSA63J-680X	MG RESISTOR	68Ω 1/16W J	
R415	NRSA63J-331X	MG RESISTOR	330Ω 1/16W J		R4015	NRSA63J-680X	MG RESISTOR	68Ω 1/16W J	

△ Symbol No.	Part No.	Part Name	Description	Local	△ Symbol No.	Part No.	Part Name	Description	Local
R4016	NRSA63J-0R0X	MG RESISTOR	0Ω 1/16W J		D405	LSQ971/KL-X	LED		
R4017	NRSA63J-0R0X	MG RESISTOR	0Ω 1/16W J		D406	LSQ971/KL-X	LED		
R4018	NRSA63J-680X	MG RESISTOR	68Ω 1/16W J		D407	LSQ971/KL-X	LED		
R4019	NRSA63J-680X	MG RESISTOR	68Ω 1/16W J		D408	LSQ971/KL-X	LED		
R4022	NRS181J-101X	MG RESISTOR	100Ω 1/8W J		D409	LSQ971/KL-X	LED		
R4025	NRSA63J-301X	MG RESISTOR	300Ω 1/16W J		D410	LSQ971/KL-X	LED		
R4026	NRSA63J-271X	MG RESISTOR	270Ω 1/16W J		D411	LSQ971/KL-X	LED		
R4027	NRSA63J-103X	MG RESISTOR	10kΩ 1/16W J		D412	LSQ971/KL-X	LED		
RA401	NRZ0065-331X	NET RESISTOR	330Ω		D413	LSQ971/KL-X	LED		
RA402	NRZ0065-331X	NET RESISTOR	330Ω		D414	LSQ971/KL-X	LED		
RA403	NRZ0065-331X	NET RESISTOR	330Ω		D415	LSQ971/KL-X	LED		
RA404	NRZ0065-331X	NET RESISTOR	330Ω		D416	LSQ971/KL-X	LED		
RA405	NRZ0065-331X	NET RESISTOR	330Ω		D417	LSQ971/KL-X	LED		
RA406	NRZ0065-103X	MG RESISTOR	10kΩ		D418	LSQ971/KL-X	LED		
RA407	NRZ0065-331X	NET RESISTOR	330Ω		D419	LSQ971/KL-X	LED		
RA408	NRZ0065-331X	NET RESISTOR	330Ω		D420	SML310BA1T/HJ-X	LED		
RA409	NRZ0065-331X	NET RESISTOR	330Ω		D421	UDZW6.2B-X	DIODE		
RA410	NRZ0065-331X	NET RESISTOR	330Ω		D422	UDZW6.2B-X	DIODE		
L401	NQL114K-470X	COIL	47uH K		D423	UDZW6.2B-X	DIODE		
CN401	NNZ0085-001	CAR CONNECTOR			D424	UDZW6.2B-X	DIODE		
CN402	QGF0523F3-35W	CONNECTOR	FFC/FPC (1-35)		D425	UDZW6.2B-X	DIODE		
EN601	QSW1163-001	ROTARY ENCODER			D426	UDZW6.2B-X	DIODE		
S401	NSW0206-001X	SWITCH			D427	UDZW6.2B-X	DIODE		
S402	NSW0206-001X	SWITCH			D428	UDZW6.2B-X	DIODE		
S403	NSW0206-001X	SWITCH			D429	UDZW6.2B-X	DIODE		
S404	NSW0206-001X	SWITCH			D430	MC2838-X	DOUBLE DIODE		
S405	NSW0206-001X	SWITCH			D431	MC2836-X	DOUBLE DIODE		
S406	NSW0206-001X	SWITCH			D432	1S3355W-X	SI DIODE		
S407	NSW0206-001X	SWITCH			D433	UDZW6.2B-X	DIODE		
S408	NSW0206-001X	SWITCH			D434	UDZW6.2B-X	DIODE		
S409	NSW0206-001X	SWITCH			D435	UDZW6.2B-X	DIODE		
S410	NSW0206-001X	SWITCH			D436	UDZW6.2B-X	DIODE		
S411	NSW0206-001X	SWITCH			D437	UDZW6.2B-X	DIODE		
S412	NSW0206-001X	SWITCH			D438	UDZW6.2B-X	DIODE		
S413	NSW0206-001X	SWITCH			D442	MC2838-X	DOUBLE DIODE		
S414	NSW0206-001X	SWITCH			D446	UDZW6.2B-X	DIODE		
S415	NSW0206-001X	SWITCH			D447	UDZW6.2B-X	DIODE		
S416	NSW0206-001X	SWITCH			D451	NSCM315C/ZI-W	LED		
TH401	NAD0028-103X	N THERMISTOR	10kΩ		D452	NSCM315C/ZI-W	LED		
X401	NAX0652-001X	RESONATOR			C401	NBE20JM-475X	TA E CAPACITOR	4.7uF 6.3V M	
					C403	NBE20JM-106X	TA E CAPACITOR	10uF 6.3V M	
					C404	NCB31EK-473X	C CAPACITOR	0.047uF 25V K	
					C405	NDC31HJ-7R0X	C CAPACITOR	7pF 50V J	
					C406	NDC31HJ-7R0X	C CAPACITOR	7pF 50V J	
					C407	NDC31HJ-471X	C CAPACITOR	470pF 50V J	
					C408	NDC31HJ-471X	C CAPACITOR	470pF 50V J	
					C409	NCB31EK-473X	C CAPACITOR	0.047uF 25V K	
					C410	NBE20JM-475X	TA E CAPACITOR	4.7uF 6.3V M	
					C411	NBE20JM-475X	TA E CAPACITOR	4.7uF 6.3V M	
					C412	NBE20JM-475X	TA E CAPACITOR	4.7uF 6.3V M	
					C414	NCB31EK-473X	C CAPACITOR	0.047uF 25V K	
					C415	NCB31EK-473X	C CAPACITOR	0.047uF 25V K	
					C416	NBE20JM-106X	TA E CAPACITOR	10uF 6.3V M	
					C417	NBE20JM-106X	TA E CAPACITOR	10uF 6.3V M	
					C418	NCB31EK-473X	C CAPACITOR	0.047uF 25V K	
					C419	NBE20JM-106X	TA E CAPACITOR	10uF 6.3V M	
					C420	NCB31EK-473X	C CAPACITOR	0.047uF 25V K	
					C421	NBE20JM-475X	TA E CAPACITOR	4.7uF 6.3V M	
					C422	NBE20JM-106X	TA E CAPACITOR	10uF 6.3V M	
					C423	NCB31AK-474X	C CAPACITOR	0.47uF 10V K	
					C424	NCB31HK-471X	C CAPACITOR	470pF 50V K	
					C426	NCB31AK-474X	C CAPACITOR	0.47uF 10V K	
					C430	NCB31EK-473X	C CAPACITOR	0.047uF 25V K	
					C431	NCJ31CK-105X-A	C CAPACITOR	1uF 16V K	
					C432	NCJ31CK-105X-A	C CAPACITOR	1uF 16V K	
					C433	NCJ31CK-105X-A	C CAPACITOR	1uF 16V K	
					C434	NCJ31CK-105X-A	C CAPACITOR	1uF 16V K	
					C435	NCJ31CK-105X-A	C CAPACITOR	1uF 16V K	
					C436	NCJ31CK-105X-A	C CAPACITOR	1uF 16V K	
					C437	NCJ31CK-105X-A	C CAPACITOR	1uF 16V K	
					C438	NCJ31CK-105X-A	C CAPACITOR	1uF 16V K	
					C439	NCJ31CK-105X-A	C CAPACITOR	1uF 16V K	
					C440	NCJ31CK-105X-A	C CAPACITOR	1uF 16V K	
					C441	NCB11EM-105X	C CAPACITOR	1uF 25V M	
					C442	NCB11EM-105X	C CAPACITOR	1uF 25V M	
					C443	NCJ31CK-105X-A	C CAPACITOR	1uF 16V K	
					C444	NCB11EM-105X	C CAPACITOR	1uF 25V M	

## Switch board (KD-G821)

Block No. [0][5]

△ Symbol No.	Part No.	Part Name	Description	Local
IC401	MN102H60KSB1	IC		
IC402	SA16M90TFIR11H	IC(PROGRAMED)		
IC403	S-80824CNNB-G-W	IC		
IC404	NJU7241F33-X	IC		
IC405	RPM7338-V4	RECEIVER REMOCO		
Q411	2SA1530A/QR/-X	TRANSISTOR		
Q412	2SA1530A/QR/-X	TRANSISTOR		
Q413	2SC3928A/QR/-X	TRANSISTOR		
Q421	2SC3928A/QR/-X	TRANSISTOR		
Q422	2SC3928A/QR/-X	TRANSISTOR		
Q423	2SC3928A/QR/-X	TRANSISTOR		
Q424	2SC3928A/QR/-X	TRANSISTOR		
Q425	2SC3928A/QR/-X	TRANSISTOR		
Q426	2SC3928A/QR/-X	TRANSISTOR		
Q427	2SC3928A/QR/-X	TRANSISTOR		
Q428	2SC3928A/QR/-X	TRANSISTOR		
Q429	2SC3928A/QR/-X	TRANSISTOR		
Q430	2SC3928A/QR/-X	TRANSISTOR		
Q431	2SC3928A/QR/-X	TRANSISTOR		
Q432	2SC3928A/QR/-X	TRANSISTOR		
D401	SML310BA1T/HJ-X	LED		
D402	SML310BA1T/HJ-X	LED		
D403	SML310BA1T/HJ-X	LED		
D404	SML310BA1T/HJ-X	LED		

△ Symbol No.	Part No.	Part Name	Description	Local	△ Symbol No.	Part No.	Part Name	Description	Local
C445	NCJ31CK-105X-A	C CAPACITOR	1uF 16V K		R478	NRSA63J-391X	MG RESISTOR	390Ω 1/16W J	
C446	NCJ31CK-105X-A	C CAPACITOR	1uF 16V K		R479	NRSA63J-391X	MG RESISTOR	390Ω 1/16W J	
C447	NCB21CK-105X	C CAPACITOR	1uF 16V K		R480	NRSA63J-391X	MG RESISTOR	390Ω 1/16W J	
C448	NCB21CK-105X	C CAPACITOR	1uF 16V K		R481	NRSA63J-391X	MG RESISTOR	390Ω 1/16W J	
C449	NCB31EK-473X	C CAPACITOR	0.047uF 25V K		R482	NRSA63J-561X	MG RESISTOR	560Ω 1/16W J	
C450	NBE20JM-475X	TA E CAPACITOR	4.7uF 6.3V M		R483	NRSA63J-561X	MG RESISTOR	560Ω 1/16W J	
C451	NCB31EK-473X	C CAPACITOR	0.047uF 25V K		R484	NRSA63J-561X	MG RESISTOR	560Ω 1/16W J	
C452	NCB31EK-473X	C CAPACITOR	0.047uF 25V K		R485	NRSA63J-391X	MG RESISTOR	390Ω 1/16W J	
C453	NCB31EK-473X	C CAPACITOR	0.047uF 25V K		R486	NRSA63J-391X	MG RESISTOR	390Ω 1/16W J	
C454	NCB31EK-473X	C CAPACITOR	0.047uF 25V K		R487	NRSA63J-391X	MG RESISTOR	390Ω 1/16W J	
C455	NCB31EK-473X	C CAPACITOR	0.047uF 25V K		R498	NRSA63J-0R0X	MG RESISTOR	0Ω 1/16W J	
C456	NCB31EK-473X	C CAPACITOR	0.047uF 25V K		R4002	NRSA63J-471X	MG RESISTOR	470Ω 1/16W J	
R402	NRSA63J-680X	MG RESISTOR	68Ω 1/16W J		R4003	NRSA63J-474X	MG RESISTOR	470kΩ 1/16W J	
R403	NRS181J-101X	MG RESISTOR	100Ω 1/8W J		R4004	NRSA63J-104X	MG RESISTOR	100kΩ 1/16W J	
R405	NRSA63J-201X	MG RESISTOR	200Ω 1/16W J		R4006	NRSA63J-102X	MG RESISTOR	1kΩ 1/16W J	
R407	NRSA63J-331X	MG RESISTOR	330Ω 1/16W J		R4007	NRSA63J-102X	MG RESISTOR	1kΩ 1/16W J	
R409	NRSA63J-201X	MG RESISTOR	200Ω 1/16W J		R4008	NRSA63J-473X	MG RESISTOR	47kΩ 1/16W J	
R411	NRSA63J-201X	MG RESISTOR	200Ω 1/16W J		R4009	NRSA63J-473X	MG RESISTOR	47kΩ 1/16W J	
R413	NRSA63J-331X	MG RESISTOR	330Ω 1/16W J		R4010	NRSA63J-102X	MG RESISTOR	1kΩ 1/16W J	
R415	NRSA63J-331X	MG RESISTOR	330Ω 1/16W J		R4014	NRSA63J-680X	MG RESISTOR	68Ω 1/16W J	
R417	NRSA63J-821X	MG RESISTOR	820Ω 1/16W J		R4015	NRSA63J-680X	MG RESISTOR	68Ω 1/16W J	
R421	NRSA63J-301X	MG RESISTOR	300Ω 1/16W J		R4016	NRSA63J-0R0X	MG RESISTOR	0Ω 1/16W J	
R422	NRSA63J-271X	MG RESISTOR	270Ω 1/16W J		R4017	NRSA63J-0R0X	MG RESISTOR	0Ω 1/16W J	
R423	NRSA63J-391X	MG RESISTOR	390Ω 1/16W J		R4018	NRSA63J-680X	MG RESISTOR	68Ω 1/16W J	
R424	NRSA63J-561X	MG RESISTOR	560Ω 1/16W J		R4019	NRSA63J-680X	MG RESISTOR	68Ω 1/16W J	
R425	NRSA63J-821X	MG RESISTOR	820Ω 1/16W J		R4022	NRS181J-101X	MG RESISTOR	100Ω 1/8W J	
R426	NRSA63J-152X	MG RESISTOR	1.5kΩ 1/16W J		R4025	NRSA63J-301X	MG RESISTOR	300Ω 1/16W J	
R427	NRSA63J-301X	MG RESISTOR	300Ω 1/16W J		R4026	NRSA63J-271X	MG RESISTOR	270Ω 1/16W J	
R428	NRSA63J-271X	MG RESISTOR	270Ω 1/16W J		R4027	NRSA63J-103X	MG RESISTOR	10kΩ 1/16W J	
R429	NRSA63J-391X	MG RESISTOR	390Ω 1/16W J		RA401	NRZ0065-331X	NET RESISTOR	330Ω	
R430	NRSA63J-561X	MG RESISTOR	560Ω 1/16W J		RA402	NRZ0065-331X	NET RESISTOR	330Ω	
R431	NRSA63J-821X	MG RESISTOR	820Ω 1/16W J		RA403	NRZ0065-331X	NET RESISTOR	330Ω	
R432	NRSA63J-152X	MG RESISTOR	1.5kΩ 1/16W J		RA404	NRZ0065-331X	NET RESISTOR	330Ω	
R433	NRSA63J-0R0X	MG RESISTOR	0Ω 1/16W J		RA405	NRZ0065-331X	NET RESISTOR	330Ω	
R434	NRSA63J-473X	MG RESISTOR	47kΩ 1/16W J		RA406	NRZ0065-103X	MG RESISTOR	10kΩ	
R435	NRSA63J-103X	MG RESISTOR	10kΩ 1/16W J		RA407	NRZ0065-331X	NET RESISTOR	330Ω	
R436	NRSA63J-331X	MG RESISTOR	330Ω 1/16W J		RA408	NRZ0065-331X	NET RESISTOR	330Ω	
R437	NRSA63J-331X	MG RESISTOR	330Ω 1/16W J		RA409	NRZ0065-331X	NET RESISTOR	330Ω	
R438	NRSA63J-331X	MG RESISTOR	330Ω 1/16W J		RA410	NRZ0065-331X	NET RESISTOR	330Ω	
R439	NRSA63J-331X	MG RESISTOR	330Ω 1/16W J		L401	NQL114K-470X	COIL	47uH K	
R440	NRSA63J-331X	MG RESISTOR	330Ω 1/16W J		CN401	NNZ0085-001	CAR CONNECTOR		
R441	NRSA63J-331X	MG RESISTOR	330Ω 1/16W J		CN402	QGF0523F3-35W	CONNECTOR	FFC/FPC (1-35)	
R442	NRSA63J-680X	MG RESISTOR	68Ω 1/16W J		EN601	QSW1163-001	ROTARY ENCODER		
R443	NRSA63J-473X	MG RESISTOR	47kΩ 1/16W J		S401	NSW0206-001X	SWITCH		
R444	NRSA63J-102X	MG RESISTOR	1kΩ 1/16W J		S402	NSW0206-001X	SWITCH		
R445	NRSA63J-822X	MG RESISTOR	8.2kΩ 1/16W J		S403	NSW0206-001X	SWITCH		
R446	NRSA63J-102X	MG RESISTOR	1kΩ 1/16W J		S404	NSW0206-001X	SWITCH		
R447	NRSA63J-102X	MG RESISTOR	1kΩ 1/16W J		S405	NSW0206-001X	SWITCH		
R448	NRSA63J-104X	MG RESISTOR	100kΩ 1/16W J		S406	NSW0206-001X	SWITCH		
R449	NRSA63J-104X	MG RESISTOR	100kΩ 1/16W J		S407	NSW0206-001X	SWITCH		
R450	NRSA63J-222X	MG RESISTOR	2.2kΩ 1/16W J		S408	NSW0206-001X	SWITCH		
R451	NRSA63J-222X	MG RESISTOR	2.2kΩ 1/16W J		S409	NSW0206-001X	SWITCH		
R452	NRSA63J-104X	MG RESISTOR	100kΩ 1/16W J		S410	NSW0206-001X	SWITCH		
R453	NRSA63J-103X	MG RESISTOR	10kΩ 1/16W J		S411	NSW0206-001X	SWITCH		
R454	NRSA63J-103X	MG RESISTOR	10kΩ 1/16W J		S412	NSW0206-001X	SWITCH		
R455	NRSA63J-153X	MG RESISTOR	15kΩ 1/16W J		S413	NSW0206-001X	SWITCH		
R456	NRSA63J-102X	MG RESISTOR	1kΩ 1/16W J		S414	NSW0206-001X	SWITCH		
R457	NRSA63J-102X	MG RESISTOR	1kΩ 1/16W J		S415	NSW0206-001X	SWITCH		
R458	NRSA63J-473X	MG RESISTOR	47kΩ 1/16W J		S416	NSW0206-001X	SWITCH		
R459	NRSA63J-473X	MG RESISTOR	47kΩ 1/16W J		TH401	NAD0028-103X	N THERMISTOR	10kΩ	
R460	NRSA63J-152X	MG RESISTOR	1.5kΩ 1/16W J		X401	NAX0652-001X	RESONATOR		
R461	NRSA63J-152X	MG RESISTOR	1.5kΩ 1/16W J						
R462	NRSA63J-152X	MG RESISTOR	1.5kΩ 1/16W J						
R463	NRSA63J-103X	MG RESISTOR	10kΩ 1/16W J						
R465	NRSA63J-331X	MG RESISTOR	330Ω 1/16W J						
R466	NRSA63J-473X	MG RESISTOR	47kΩ 1/16W J						
R467	NRSA63J-474X	MG RESISTOR	470kΩ 1/16W J						
R468	NRSA63J-473X	MG RESISTOR	47kΩ 1/16W J						
R469	NRSA63J-473X	MG RESISTOR	47kΩ 1/16W J						
R470	NRSA63J-391X	MG RESISTOR	390Ω 1/16W J						
R471	NRSA63J-391X	MG RESISTOR	390Ω 1/16W J						
R472	NRSA63J-391X	MG RESISTOR	390Ω 1/16W J						
R473	NRSA63J-561X	MG RESISTOR	560Ω 1/16W J						
R474	NRSA63J-561X	MG RESISTOR	560Ω 1/16W J						
R475	NRSA63J-561X	MG RESISTOR	560Ω 1/16W J						
R476	NRSA63J-391X	MG RESISTOR	390Ω 1/16W J						
R477	NRSA63J-391X	MG RESISTOR	390Ω 1/16W J						

# Switch board (KD-G827)

Block No. [0][6]

Symbol No.	Part No.	Part Name	Description	Local
IC401	MN102H60KSB1	IC		
IC402	SA16M90TFIR11H	IC(PROGRAMED)		
IC403	S-80824CNNB-G-W	IC		
IC404	NJU7241F33-X	IC		
IC405	RPM7338-V4	RECEIVER REMOCO		
Q411	2SA1530A/QR/-X	TRANSISTOR		
Q412	2SA1530A/QR/-X	TRANSISTOR		
Q413	2SC3928A/QR/-X	TRANSISTOR		
Q421	2SC3928A/QR/-X	TRANSISTOR		
Q422	2SC3928A/QR/-X	TRANSISTOR		
Q423	2SC3928A/QR/-X	TRANSISTOR		
Q424	2SC3928A/QR/-X	TRANSISTOR		
Q425	2SC3928A/QR/-X	TRANSISTOR		
Q426	2SC3928A/QR/-X	TRANSISTOR		
Q427	2SC3928A/QR/-X	TRANSISTOR		
Q428	2SC3928A/QR/-X	TRANSISTOR		
Q429	2SC3928A/QR/-X	TRANSISTOR		
Q430	2SC3928A/QR/-X	TRANSISTOR		
Q431	2SC3928A/QR/-X	TRANSISTOR		
Q432	2SC3928A/QR/-X	TRANSISTOR		
D401	SML310BA1T/HJ-X	LED		
D402	SML310BA1T/HJ-X	LED		
D403	SML310BA1T/HJ-X	LED		
D404	SML310BA1T/HJ-X	LED		
D405	LSQ971/KL/-X	LED		
D406	LSQ971/KL/-X	LED		
D407	LSQ971/KL/-X	LED		
D408	LSQ971/KL/-X	LED		
D409	LSQ971/KL/-X	LED		
D410	LSQ971/KL/-X	LED		
D411	LSQ971/KL/-X	LED		
D412	LSQ971/KL/-X	LED		
D413	LSQ971/KL/-X	LED		
D414	LSQ971/KL/-X	LED		
D415	LSQ971/KL/-X	LED		
D416	LSQ971/KL/-X	LED		
D417	LSQ971/KL/-X	LED		
D418	LSQ971/KL/-X	LED		
D419	LSQ971/KL/-X	LED		
D420	SML310BA1T/HJ-X	LED		
D421	UDZW6.2B-X	DIODE		
D422	UDZW6.2B-X	DIODE		
D423	UDZW6.2B-X	DIODE		
D424	UDZW6.2B-X	DIODE		
D425	UDZW6.2B-X	DIODE		
D426	UDZW6.2B-X	DIODE		
D427	UDZW6.2B-X	DIODE		
D428	UDZW6.2B-X	DIODE		
D429	UDZW6.2B-X	DIODE		
D430	MC2838-X	DOUBLE DIODE		
D431	MC2836-X	DOUBLE DIODE		
D432	1SS355W-X	SI DIODE		
D433	UDZW6.2B-X	DIODE		
D434	UDZW6.2B-X	DIODE		
D435	UDZW6.2B-X	DIODE		
D436	UDZW6.2B-X	DIODE		
D437	UDZW6.2B-X	DIODE		
D438	UDZW6.2B-X	DIODE		
D442	MC2838-X	DOUBLE DIODE		
D446	UDZW6.2B-X	DIODE		
D447	UDZW6.2B-X	DIODE		
D451	NSCM315C/Z/-W	LED		
D452	NSCM315C/Z/-W	LED		
C401	NBE20JM-475X	TA E CAPACITOR	4.7uF 6.3V M	
C403	NBE20JM-106X	TA E CAPACITOR	10uF 6.3V M	
C404	NCB31EK-473X	C CAPACITOR	0.047uF 25V K	
C405	NDC31HJ-7R0X	C CAPACITOR	7pF 50V J	
C406	NDC31HJ-7R0X	C CAPACITOR	7pF 50V J	
C407	NDC31HJ-471X	C CAPACITOR	470pF 50V J	
C408	NDC31HJ-471X	C CAPACITOR	470pF 50V J	
C409	NCB31EK-473X	C CAPACITOR	0.047uF 25V K	

Symbol No.	Part No.	Part Name	Description	Local
C410	NBE20JM-475X	TA E CAPACITOR	4.7uF 6.3V M	
C411	NBE20JM-475X	TA E CAPACITOR	4.7uF 6.3V M	
C412	NBE20JM-475X	TA E CAPACITOR	4.7uF 6.3V M	
C414	NCB31EK-473X	C CAPACITOR	0.047uF 25V K	
C415	NCB31EK-473X	C CAPACITOR	0.047uF 25V K	
C416	NBE20JM-106X	TA E CAPACITOR	10uF 6.3V M	
C417	NBE20JM-106X	TA E CAPACITOR	10uF 6.3V M	
C418	NCB31EK-473X	C CAPACITOR	0.047uF 25V K	
C419	NBE20JM-106X	TA E CAPACITOR	10uF 6.3V M	
C420	NCB31EK-473X	C CAPACITOR	0.047uF 25V K	
C421	NBE20JM-475X	TA E CAPACITOR	4.7uF 6.3V M	
C422	NBE20JM-106X	TA E CAPACITOR	10uF 6.3V M	
C423	NCB31AK-474X	C CAPACITOR	0.47uF 10V K	
C424	NCB31HK-471X	C CAPACITOR	470pF 50V K	
C426	NCB31AK-474X	C CAPACITOR	0.47uF 10V K	
C430	NCB31EK-473X	C CAPACITOR	0.047uF 25V K	
C431	NCJ31CK-105X-A	C CAPACITOR	1uF 16V K	
C432	NCJ31CK-105X-A	C CAPACITOR	1uF 16V K	
C433	NCJ31CK-105X-A	C CAPACITOR	1uF 16V K	
C434	NCJ31CK-105X-A	C CAPACITOR	1uF 16V K	
C435	NCJ31CK-105X-A	C CAPACITOR	1uF 16V K	
C436	NCJ31CK-105X-A	C CAPACITOR	1uF 16V K	
C437	NCJ31CK-105X-A	C CAPACITOR	1uF 16V K	
C438	NCJ31CK-105X-A	C CAPACITOR	1uF 16V K	
C439	NCJ31CK-105X-A	C CAPACITOR	1uF 16V K	
C440	NCJ31CK-105X-A	C CAPACITOR	1uF 16V K	
C441	NCB11EM-105X	C CAPACITOR	1uF 25V M	
C442	NCB11EM-105X	C CAPACITOR	1uF 25V M	
C443	NCJ31CK-105X-A	C CAPACITOR	1uF 16V K	
C444	NCB11EM-105X	C CAPACITOR	1uF 25V M	
C445	NCJ31CK-105X-A	C CAPACITOR	1uF 16V K	
C446	NCJ31CK-105X-A	C CAPACITOR	1uF 16V K	
C447	NCB21CK-105X	C CAPACITOR	1uF 16V K	
C448	NCB21CK-105X	C CAPACITOR	1uF 16V K	
C449	NCB31EK-473X	C CAPACITOR	0.047uF 25V K	
C450	NBE20JM-475X	TA E CAPACITOR	4.7uF 6.3V M	
C451	NCB31EK-473X	C CAPACITOR	0.047uF 25V K	
C452	NCB31EK-473X	C CAPACITOR	0.047uF 25V K	
C453	NCB31EK-473X	C CAPACITOR	0.047uF 25V K	
C454	NCB31EK-473X	C CAPACITOR	0.047uF 25V K	
C455	NCB31EK-473X	C CAPACITOR	0.047uF 25V K	
C456	NCB31EK-473X	C CAPACITOR	0.047uF 25V K	
R402	NRSA63J-680X	MG RESISTOR	68Ω 1/16W J	
R403	NRS181J-101X	MG RESISTOR	100Ω 1/8W J	
R405	NRSA63J-201X	MG RESISTOR	200Ω 1/16W J	
R407	NRSA63J-331X	MG RESISTOR	330Ω 1/16W J	
R409	NRSA63J-201X	MG RESISTOR	200Ω 1/16W J	
R411	NRSA63J-201X	MG RESISTOR	200Ω 1/16W J	
R413	NRSA63J-331X	MG RESISTOR	330Ω 1/16W J	
R415	NRSA63J-331X	MG RESISTOR	330Ω 1/16W J	
R417	NRSA63J-821X	MG RESISTOR	820Ω 1/16W J	
R421	NRSA63J-301X	MG RESISTOR	300Ω 1/16W J	
R422	NRSA63J-271X	MG RESISTOR	270Ω 1/16W J	
R423	NRSA63J-391X	MG RESISTOR	390Ω 1/16W J	
R424	NRSA63J-561X	MG RESISTOR	560Ω 1/16W J	
R425	NRSA63J-821X	MG RESISTOR	820Ω 1/16W J	
R426	NRSA63J-152X	MG RESISTOR	1.5kΩ 1/16W J	
R427	NRSA63J-301X	MG RESISTOR	300Ω 1/16W J	
R428	NRSA63J-271X	MG RESISTOR	270Ω 1/16W J	
R429	NRSA63J-391X	MG RESISTOR	390Ω 1/16W J	
R430	NRSA63J-561X	MG RESISTOR	560Ω 1/16W J	
R431	NRSA63J-821X	MG RESISTOR	820Ω 1/16W J	
R432	NRSA63J-152X	MG RESISTOR	1.5kΩ 1/16W J	
R433	NRSA63J-0R0X	MG RESISTOR	0Ω 1/16W J	
R434	NRSA63J-473X	MG RESISTOR	47kΩ 1/16W J	
R435	NRSA63J-103X	MG RESISTOR	10kΩ 1/16W J	
R436	NRSA63J-331X	MG RESISTOR	330Ω 1/16W J	
R437	NRSA63J-331X	MG RESISTOR	330Ω 1/16W J	
R438	NRSA63J-331X	MG RESISTOR	330Ω 1/16W J	
R439	NRSA63J-331X	MG RESISTOR	330Ω 1/16W J	
R440	NRSA63J-331X	MG RESISTOR	330Ω 1/16W J	
R441	NRSA63J-331X	MG RESISTOR	330Ω 1/16W J	
R442	NRSA63J-680X	MG RESISTOR	68Ω 1/16W J	
R443	NRSA63J-473X	MG RESISTOR	47kΩ 1/16W J	
R444	NRSA63J-102X	MG RESISTOR	1kΩ 1/16W J	
R445	NRSA63J-822X	MG RESISTOR	8.2kΩ 1/16W J	
R446	NRSA63J-102X	MG RESISTOR	1kΩ 1/16W J	

△ Symbol No.	Part No.	Part Name	Description	Local	△ Symbol No.	Part No.	Part Name	Description	Local
R447	NRSA63J-102X	MG RESISTOR	1kΩ 1/16W J		S404	NSW0206-001X	SWITCH		
R448	NRSA63J-104X	MG RESISTOR	100kΩ 1/16W J		S405	NSW0206-001X	SWITCH		
R449	NRSA63J-104X	MG RESISTOR	100kΩ 1/16W J		S406	NSW0206-001X	SWITCH		
R450	NRSA63J-222X	MG RESISTOR	2.2kΩ 1/16W J		S407	NSW0206-001X	SWITCH		
R451	NRSA63J-222X	MG RESISTOR	2.2kΩ 1/16W J		S408	NSW0206-001X	SWITCH		
R452	NRSA63J-104X	MG RESISTOR	100kΩ 1/16W J		S409	NSW0206-001X	SWITCH		
R453	NRSA63J-103X	MG RESISTOR	10kΩ 1/16W J		S410	NSW0206-001X	SWITCH		
R454	NRSA63J-103X	MG RESISTOR	10kΩ 1/16W J		S411	NSW0206-001X	SWITCH		
R455	NRSA63J-153X	MG RESISTOR	15kΩ 1/16W J		S412	NSW0206-001X	SWITCH		
R456	NRSA63J-102X	MG RESISTOR	1kΩ 1/16W J		S413	NSW0206-001X	SWITCH		
R457	NRSA63J-102X	MG RESISTOR	1kΩ 1/16W J		S414	NSW0206-001X	SWITCH		
R458	NRSA63J-473X	MG RESISTOR	47kΩ 1/16W J		S415	NSW0206-001X	SWITCH		
R459	NRSA63J-473X	MG RESISTOR	47kΩ 1/16W J		S416	NSW0206-001X	SWITCH		
R460	NRSA63J-152X	MG RESISTOR	1.5kΩ 1/16W J		TH401	NAD0028-103X	N THERMISTOR	10kΩ	
R461	NRSA63J-152X	MG RESISTOR	1.5kΩ 1/16W J		X401	NAX0652-001X	RESONATOR		
R462	NRSA63J-152X	MG RESISTOR	1.5kΩ 1/16W J						
R463	NRSA63J-103X	MG RESISTOR	10kΩ 1/16W J						
R465	NRSA63J-331X	MG RESISTOR	330Ω 1/16W J						
R466	NRSA63J-473X	MG RESISTOR	47kΩ 1/16W J						
R467	NRSA63J-474X	MG RESISTOR	470kΩ 1/16W J						
R468	NRSA63J-473X	MG RESISTOR	47kΩ 1/16W J						
R469	NRSA63J-473X	MG RESISTOR	47kΩ 1/16W J						
R470	NRSA63J-391X	MG RESISTOR	390Ω 1/16W J						
R471	NRSA63J-391X	MG RESISTOR	390Ω 1/16W J						
R472	NRSA63J-391X	MG RESISTOR	390Ω 1/16W J						
R473	NRSA63J-561X	MG RESISTOR	560Ω 1/16W J						
R474	NRSA63J-561X	MG RESISTOR	560Ω 1/16W J						
R475	NRSA63J-561X	MG RESISTOR	560Ω 1/16W J						
R476	NRSA63J-391X	MG RESISTOR	390Ω 1/16W J						
R477	NRSA63J-391X	MG RESISTOR	390Ω 1/16W J						
R478	NRSA63J-391X	MG RESISTOR	390Ω 1/16W J						
R479	NRSA63J-391X	MG RESISTOR	390Ω 1/16W J						
R480	NRSA63J-391X	MG RESISTOR	390Ω 1/16W J						
R481	NRSA63J-391X	MG RESISTOR	390Ω 1/16W J						
R482	NRSA63J-561X	MG RESISTOR	560Ω 1/16W J						
R483	NRSA63J-561X	MG RESISTOR	560Ω 1/16W J						
R484	NRSA63J-561X	MG RESISTOR	560Ω 1/16W J						
R485	NRSA63J-391X	MG RESISTOR	390Ω 1/16W J						
R486	NRSA63J-391X	MG RESISTOR	390Ω 1/16W J						
R487	NRSA63J-391X	MG RESISTOR	390Ω 1/16W J						
R498	NRSA63J-0R0X	MG RESISTOR	0Ω 1/16W J						
R4002	NRSA63J-471X	MG RESISTOR	470Ω 1/16W J						
R4003	NRSA63J-474X	MG RESISTOR	470kΩ 1/16W J						
R4004	NRSA63J-104X	MG RESISTOR	100kΩ 1/16W J						
R4006	NRSA63J-102X	MG RESISTOR	1kΩ 1/16W J						
R4007	NRSA63J-102X	MG RESISTOR	1kΩ 1/16W J						
R4008	NRSA63J-473X	MG RESISTOR	47kΩ 1/16W J						
R4009	NRSA63J-473X	MG RESISTOR	47kΩ 1/16W J						
R4010	NRSA63J-102X	MG RESISTOR	1kΩ 1/16W J						
R4014	NRSA63J-680X	MG RESISTOR	68Ω 1/16W J						
R4015	NRSA63J-680X	MG RESISTOR	68Ω 1/16W J						
R4016	NRSA63J-0R0X	MG RESISTOR	0Ω 1/16W J						
R4017	NRSA63J-0R0X	MG RESISTOR	0Ω 1/16W J						
R4018	NRSA63J-680X	MG RESISTOR	68Ω 1/16W J						
R4019	NRSA63J-680X	MG RESISTOR	68Ω 1/16W J						
R4022	NRS181J-101X	MG RESISTOR	100Ω 1/8W J						
R4025	NRSA63J-301X	MG RESISTOR	300Ω 1/16W J						
R4026	NRSA63J-271X	MG RESISTOR	270Ω 1/16W J						
R4027	NRSA63J-103X	MG RESISTOR	10kΩ 1/16W J						
RA401	NRZ0065-331X	NET RESISTOR	330Ω						
RA402	NRZ0065-331X	NET RESISTOR	330Ω						
RA403	NRZ0065-331X	NET RESISTOR	330Ω						
RA404	NRZ0065-331X	NET RESISTOR	330Ω						
RA405	NRZ0065-331X	NET RESISTOR	330Ω						
RA406	NRZ0065-103X	MG RESISTOR	10kΩ						
RA407	NRZ0065-331X	NET RESISTOR	330Ω						
RA408	NRZ0065-331X	NET RESISTOR	330Ω						
RA409	NRZ0065-331X	NET RESISTOR	330Ω						
RA410	NRZ0065-331X	NET RESISTOR	330Ω						
L401	NQL114K-470X	COIL	47uH K						
CN401	NNZ0085-001	CAR CONNECTOR							
CN402	QGF0523F3-35W	CONNECTOR	FFC/FPC (1-35)						
EN601	QSW1163-001	ROTARY ENCODER							
S401	NSW0206-001X	SWITCH							
S402	NSW0206-001X	SWITCH							
S403	NSW0206-001X	SWITCH							
S404	NSW0206-001X	SWITCH							
S405	NSW0206-001X	SWITCH							
S406	NSW0206-001X	SWITCH							
S407	NSW0206-001X	SWITCH							
S408	NSW0206-001X	SWITCH							
S409	NSW0206-001X	SWITCH							
S410	NSW0206-001X	SWITCH							
S411	NSW0206-001X	SWITCH							
S412	NSW0206-001X	SWITCH							
S413	NSW0206-001X	SWITCH							
S414	NSW0206-001X	SWITCH							
S415	NSW0206-001X	SWITCH							
S416	NSW0206-001X	SWITCH							
TH401	NAD0028-103X	N THERMISTOR	10kΩ						
X401	NAX0652-001X	RESONATOR							

**USB board  
(KD-GAR870,G820,G824,G825)**

Block No. [0][7]

△ Symbol No.	Part No.	Part Name	Description	Local
C402	NCB31CK-104X	C CAPACITOR	0.1uF 16V K	
C403	NCB31CK-104X	C CAPACITOR	0.1uF 16V K	
C404	NCB31CK-104X	C CAPACITOR	0.1uF 16V K	
C405	NCB31CK-104X	C CAPACITOR	0.1uF 16V K	
C406	NCB31CK-104X	C CAPACITOR	0.1uF 16V K	
C407	NDC31HJ-270X	C CAPACITOR	27pF 50V J	
C408	NDC31HJ-270X	C CAPACITOR	27pF 50V J	
C409	NCB31CK-104X	C CAPACITOR	0.1uF 16V K	
C410	NCB31CK-104X	C CAPACITOR	0.1uF 16V K	
C411	NDC31HJ-331X	C CAPACITOR	330pF 50V J	
C412	NCB31CK-104X	C CAPACITOR	0.1uF 16V K	
C413	NCB31CK-104X	C CAPACITOR	0.1uF 16V K	
C414	NCB31CK-104X	C CAPACITOR	0.1uF 16V K	
C415	NCB31CK-104X	C CAPACITOR	0.1uF 16V K	
C416	NCB31CK-104X	C CAPACITOR	0.1uF 16V K	
C417	NCB31CK-104X	C CAPACITOR	0.1uF 16V K	
C418	NCB31CK-104X	C CAPACITOR	0.1uF 16V K	
C419	NCB31CK-104X	C CAPACITOR	0.1uF 16V K	
C420	NCB31CK-104X	C CAPACITOR	0.1uF 16V K	
C440	NCB31AK-154X	C CAPACITOR	0.15uF 10V K	
C441	NCB31CK-104X	C CAPACITOR	0.1uF 16V K	
C442	NBE20JM-226X	TA E CAPACITOR	22uF 6.3V M	
C443	NCB31CK-104X	C CAPACITOR	0.1uF 16V K	
C444	NCB31CK-104X	C CAPACITOR	0.1uF 16V K	
C445	NCB31CK-104X	C CAPACITOR	0.1uF 16V K	
C446	NCB31CK-104X	C CAPACITOR	0.1uF 16V K	
C447	NCB31CK-104X	C CAPACITOR	0.1uF 16V K	
C448	NBE20JM-226X	TA E CAPACITOR	22uF 6.3V M	
C449	NCB31CK-104X	C CAPACITOR	0.1uF 16V K	
C451	NCB31HK-331X	C CAPACITOR	330pF 50V K	
C453	NCB31CK-473X	C CAPACITOR	0.047uF 16V K	
C454	NBE41AM-476X	TA E CAPACITOR	47uF 10V M	
C455	NCB31CK-104X	C CAPACITOR	0.1uF 16V K	
C456	NCB31CK-104X	C CAPACITOR	0.1uF 16V K	
C457	NBE41AM-476X	TA E CAPACITOR	47uF 10V M	
C461	NCB31HK-332X	C CAPACITOR	3300pF 50V K	
C462	NCS31HJ-471X	C CAPACITOR	470pF 50V J	
C463	NCS31HJ-471X	C CAPACITOR	470pF 50V J	
C464	NCB31CK-104X	C CAPACITOR	0.1uF 16V K	
C465	NBE41AM-476X	TA E CAPACITOR	47uF 10V M	
C471	NCB31HK-332X	C CAPACITOR	3300pF 50V K	
C472	NCS31HJ-471X	C CAPACITOR	470pF 50V J	
C473	NCS31HJ-471X	C CAPACITOR	470pF 50V J	
C474	NCB31CK-104X	C CAPACITOR	0.1uF 16V K	
C475	NBE41AM-476X	TA E CAPACITOR	47uF 10V M	
C481	NCB31CK-104X	C CAPACITOR	0.1uF 16V K	
C482	NCB31CK-104X	C CAPACITOR	0.1uF 16V K	
C521	NBE21CM-475X	TA E CAPACITOR	4.7uF 16V M	
C522	NCB31CK-104X	C CAPACITOR	0.1uF 16V K	
C531	NCB31AK-474X	C CAPACITOR	0.47uF 10V K	
R398	NRSA63J-0R0X	MG RESISTOR	0Ω 1/16W J	

△ Symbol No. Part No. Part Name Description Local

## USB board (KD-G821)

Block No. [0][8]

△ Symbol No.	Part No.	Part Name	Description	Local
R399	NRSA63J-0R0X	MG RESISTOR	0Ω 1/16W J	
R401	NRSA63J-0R0X	MG RESISTOR	0Ω 1/16W J	
R402	NRSA63J-0R0X	MG RESISTOR	0Ω 1/16W J	
R403	NRSA63J-0R0X	MG RESISTOR	0Ω 1/16W J	
R404	NRSA63J-472X	MG RESISTOR	4.7kΩ 1/16W J	
R405	NRSA63J-472X	MG RESISTOR	4.7kΩ 1/16W J	
R406	NRSA63J-472X	MG RESISTOR	4.7kΩ 1/16W J	
R407	NRSA63J-0R0X	MG RESISTOR	0Ω 1/16W J	
R408	NRSA63J-0R0X	MG RESISTOR	0Ω 1/16W J	
R409	NRSA63J-102X	MG RESISTOR	1kΩ 1/16W J	
R410	NRSA63J-0R0X	MG RESISTOR	0Ω 1/16W J	
R411	NRSA63J-152X	MG RESISTOR	1.5kΩ 1/16W J	
R412	NRSA63J-105X	MG RESISTOR	1MΩ 1/16W J	
R414	NRSA63J-0R0X	MG RESISTOR	0Ω 1/16W J	
R415	NRSA63J-0R0X	MG RESISTOR	0Ω 1/16W J	
R416	NRSA63J-0R0X	MG RESISTOR	0Ω 1/16W J	
R417	NRSA63J-0R0X	MG RESISTOR	0Ω 1/16W J	
R418	NRSA63J-0R0X	MG RESISTOR	0Ω 1/16W J	
R420	NRSA63J-104X	MG RESISTOR	100kΩ 1/16W J	
R421	NRSA63J-472X	MG RESISTOR	4.7kΩ 1/16W J	
R425	NRSA63J-103X	MG RESISTOR	10kΩ 1/16W J	
R426	NRSA63J-0R0X	MG RESISTOR	0Ω 1/16W J	
R435	NRSA63J-472X	MG RESISTOR	4.7kΩ 1/16W J	
R436	NRSA63J-472X	MG RESISTOR	4.7kΩ 1/16W J	
R437	NRSA63J-472X	MG RESISTOR	4.7kΩ 1/16W J	
R441	NRSA63J-102X	MG RESISTOR	1kΩ 1/16W J	
R444	NRSA63J-0R0X	MG RESISTOR	0Ω 1/16W J	
R446	NRSA63J-472X	MG RESISTOR	4.7kΩ 1/16W J	
R447	NRSA63J-0R0X	MG RESISTOR	0Ω 1/16W J	
R448	NRSA63J-473X	MG RESISTOR	47kΩ 1/16W J	
R451	NRSA63J-473X	MG RESISTOR	47kΩ 1/16W J	
R452	NRSA63J-0R0X	MG RESISTOR	0Ω 1/16W J	
R453	NRSA63J-4R7X	MG RESISTOR	4.7Ω 1/16W J	
R454	NRSA63J-100X	MG RESISTOR	10Ω 1/16W J	
R455	NRSA63J-100X	MG RESISTOR	10Ω 1/16W J	
R460	NRSA63J-122X	MG RESISTOR	1.2kΩ 1/16W J	
R461	NRSA63J-472X	MG RESISTOR	4.7kΩ 1/16W J	
R462	NRSA63J-472X	MG RESISTOR	4.7kΩ 1/16W J	
R463	NRSA63J-223X	MG RESISTOR	22kΩ 1/16W J	
R464	NRSA63J-472X	MG RESISTOR	4.7kΩ 1/16W J	
R465	NRSA63J-201X	MG RESISTOR	200Ω 1/16W J	
R466	NRSA63J-223X	MG RESISTOR	22kΩ 1/16W J	
R467	NRSA63J-472X	MG RESISTOR	4.7kΩ 1/16W J	
R468	NRSA63J-201X	MG RESISTOR	200Ω 1/16W J	
R469	NRSA63J-102X	MG RESISTOR	1kΩ 1/16W J	
R470	NRSA63J-122X	MG RESISTOR	1.2kΩ 1/16W J	
R471	NRSA63J-472X	MG RESISTOR	4.7kΩ 1/16W J	
R472	NRSA63J-472X	MG RESISTOR	4.7kΩ 1/16W J	
R473	NRSA63J-223X	MG RESISTOR	22kΩ 1/16W J	
R474	NRSA63J-472X	MG RESISTOR	4.7kΩ 1/16W J	
R475	NRSA63J-201X	MG RESISTOR	200Ω 1/16W J	
R476	NRSA63J-223X	MG RESISTOR	22kΩ 1/16W J	
R477	NRSA63J-472X	MG RESISTOR	4.7kΩ 1/16W J	
R478	NRSA63J-201X	MG RESISTOR	200Ω 1/16W J	
R479	NRSA63J-102X	MG RESISTOR	1kΩ 1/16W J	
R482	NRSA63J-103X	MG RESISTOR	10kΩ 1/16W J	
R483	NRSA63J-103X	MG RESISTOR	10kΩ 1/16W J	
R484	NRSA63J-103X	MG RESISTOR	10kΩ 1/16W J	
R532	NRSA63J-153X	MG RESISTOR	15kΩ 1/16W J	
R533	NRSA63J-153X	MG RESISTOR	15kΩ 1/16W J	
RA401	NRZ0065-472X	MG RESISTOR	4.7kΩ	
L401	NQL38DK-330X	COIL	33uH K	
L531	NQR0536-001X	CHOCOIL		
CN531	QNZ0855-001	USB CONNECTOR		
CN532	QGB1004K1-16	CONNECTOR	B-B (1-16)	
CN600	QGA1501C6-02	CONNECTOR	W-B (1-2)	
F531	NAD0031-004X	N THERMISTOR	Ω	
K441	NQR0502-001X	FERRITE BEADS		
X402	NAX0832-001X	CRYSTAL		

△ Symbol No. Part No. Part Name Description Local

△ Symbol No.	Part No.	Part Name	Description	Local
IC401	TCC760	IC		
IC441	SA04D70TFI021A	IC(PROGRAMED)		
IC442	K4S161622H-UC60	IC		
IC451	AK4385ET-X	24 BITS DAC		
IC452	NJM4565V-X	IC		
IC481	SN74LVC2G07V-X	LOGIC IC		
IC482	SN74AHC1T1G08V-X	IC		
IC521	BH18LB1WG-W	1.8V REG		
Q401	RT1N141C-X	TRANSISTOR		
D532	UDZS5.1B-X	Z DIODE		
D533	UDZS5.1B-X	Z DIODE		
D600	SML-310LT/MN/-X	LED		
C402	NCB31CK-104X	C CAPACITOR	0.1uF 16V K	
C403	NCB31CK-104X	C CAPACITOR	0.1uF 16V K	
C404	NCB31CK-104X	C CAPACITOR	0.1uF 16V K	
C406	NCB31CK-104X	C CAPACITOR	0.1uF 16V K	
C407	NDC31HJ-270X	C CAPACITOR	27pF 50V J	
C408	NDC31HJ-270X	C CAPACITOR	27pF 50V J	
C409	NCB31CK-104X	C CAPACITOR	0.1uF 16V K	
C410	NCB31CK-104X	C CAPACITOR	0.1uF 16V K	
C411	NDC31HJ-331X	C CAPACITOR	330pF 50V J	
C412	NCB31CK-104X	C CAPACITOR	0.1uF 16V K	
C413	NCB31CK-104X	C CAPACITOR	0.1uF 16V K	
C414	NCB31CK-104X	C CAPACITOR	0.1uF 16V K	
C415	NCB31CK-104X	C CAPACITOR	0.1uF 16V K	
C416	NCB31CK-104X	C CAPACITOR	0.1uF 16V K	
C417	NCB31CK-104X	C CAPACITOR	0.1uF 16V K	
C418	NCB31CK-104X	C CAPACITOR	0.1uF 16V K	
C419	NCB31CK-104X	C CAPACITOR	0.1uF 16V K	
C420	NCB31CK-104X	C CAPACITOR	0.1uF 16V K	
C440	NCB31AK-154X	C CAPACITOR	0.15uF 10V K	
C441	NCB31CK-104X	C CAPACITOR	0.1uF 16V K	
C442	NBE20JM-226X	TA E CAPACITOR	22uF 6.3V M	
C443	NCB31CK-104X	C CAPACITOR	0.1uF 16V K	
C444	NCB31CK-104X	C CAPACITOR	0.1uF 16V K	
C445	NCB31CK-104X	C CAPACITOR	0.1uF 16V K	
C446	NCB31CK-104X	C CAPACITOR	0.1uF 16V K	
C447	NCB31CK-104X	C CAPACITOR	0.1uF 16V K	
C448	NBE20JM-226X	TA E CAPACITOR	22uF 6.3V M	
C449	NCB31CK-104X	C CAPACITOR	0.1uF 16V K	
C451	NCB31HK-331X	C CAPACITOR	330pF 50V K	
C453	NCB31CK-473X	C CAPACITOR	0.047uF 16V K	
C454	NBE41AM-476X	TA E CAPACITOR	47uF 10V M	
C455	NCB31CK-104X	C CAPACITOR	0.1uF 16V K	
C456	NCB31CK-104X	C CAPACITOR	0.1uF 16V K	
C457	NBE41AM-476X	TA E CAPACITOR	47uF 10V M	
C461	NCB31HK-332X	C CAPACITOR	3300pF 50V K	
C462	NCS31HJ-471X	C CAPACITOR	470pF 50V J	
C463	NCS31HJ-471X	C CAPACITOR	470pF 50V J	
C464	NCB31CK-104X	C CAPACITOR	0.1uF 16V K	
C465	NBE41AM-476X	TA E CAPACITOR	47uF 10V M	
C471	NCB31HK-332X	C CAPACITOR	3300pF 50V K	
C472	NCS31HJ-471X	C CAPACITOR	470pF 50V J	
C473	NCS31HJ-471X	C CAPACITOR	470pF 50V J	
C474	NCB31CK-104X	C CAPACITOR	0.1uF 16V K	
C475	NBE41AM-476X	TA E CAPACITOR	47uF 10V M	
C481	NCB31CK-104X	C CAPACITOR	0.1uF 16V K	
C482	NCB31CK-104X	C CAPACITOR	0.1uF 16V K	
C521	NBE21CM-475X	TA E CAPACITOR	4.7uF 16V M	
C522	NCB31CK-104X	C CAPACITOR	0.1uF 16V K	
C531	NCB31AK-474X	C CAPACITOR	0.47uF 10V K	
R398	NRSA63J-0R0X	MG RESISTOR	0Ω 1/16W J	
R399	NRSA63J-0R0X	MG RESISTOR	0Ω 1/16W J	
R401	NRSA63J-0R0X	MG RESISTOR	0Ω 1/16W J	
R402	NRSA63J-0R0X	MG RESISTOR	0Ω 1/16W J	
R403	NRSA63J-0R0X	MG RESISTOR	0Ω 1/16W J	
R404	NRSA63J-472X	MG RESISTOR	4.7kΩ 1/16W J	
R405	NRSA63J-472X	MG RESISTOR	4.7kΩ 1/16W J	
R406	NRSA63J-472X	MG RESISTOR	4.7kΩ 1/16W J	
R407	NRSA63J-0R0X	MG RESISTOR	0Ω 1/16W J	



△ Symbol No.	Part No.	Part Name	Description	Local
R408	NRSA63J-0R0X	MG RESISTOR	0Ω 1/16W J	
R409	NRSA63J-102X	MG RESISTOR	1kΩ 1/16W J	
R410	NRSA63J-0R0X	MG RESISTOR	0Ω 1/16W J	
R411	NRSA63J-152X	MG RESISTOR	1.5kΩ 1/16W J	
R412	NRSA63J-105X	MG RESISTOR	1MΩ 1/16W J	
R414	NRSA63J-0R0X	MG RESISTOR	0Ω 1/16W J	
R415	NRSA63J-0R0X	MG RESISTOR	0Ω 1/16W J	
R416	NRSA63J-0R0X	MG RESISTOR	0Ω 1/16W J	
R417	NRSA63J-0R0X	MG RESISTOR	0Ω 1/16W J	
R418	NRSA63J-0R0X	MG RESISTOR	0Ω 1/16W J	
R420	NRSA63J-104X	MG RESISTOR	100kΩ 1/16W J	
R421	NRSA63J-472X	MG RESISTOR	4.7kΩ 1/16W J	
R425	NRSA63J-103X	MG RESISTOR	10kΩ 1/16W J	
R426	NRSA63J-0R0X	MG RESISTOR	0Ω 1/16W J	
R435	NRSA63J-472X	MG RESISTOR	4.7kΩ 1/16W J	
R436	NRSA63J-472X	MG RESISTOR	4.7kΩ 1/16W J	
R437	NRSA63J-472X	MG RESISTOR	4.7kΩ 1/16W J	
R441	NRSA63J-102X	MG RESISTOR	1kΩ 1/16W J	
R444	NRSA63J-0R0X	MG RESISTOR	0Ω 1/16W J	
R446	NRSA63J-472X	MG RESISTOR	4.7kΩ 1/16W J	
R447	NRSA63J-0R0X	MG RESISTOR	0Ω 1/16W J	
R448	NRSA63J-473X	MG RESISTOR	47kΩ 1/16W J	
R451	NRSA63J-473X	MG RESISTOR	47kΩ 1/16W J	
R452	NRSA63J-0R0X	MG RESISTOR	0Ω 1/16W J	
R453	NRSA63J-4R7X	MG RESISTOR	4.7Ω 1/16W J	
R454	NRSA63J-100X	MG RESISTOR	10Ω 1/16W J	
R455	NRSA63J-100X	MG RESISTOR	10Ω 1/16W J	
R460	NRSA63J-122X	MG RESISTOR	1.2kΩ 1/16W J	
R461	NRSA63J-472X	MG RESISTOR	4.7kΩ 1/16W J	
R462	NRSA63J-472X	MG RESISTOR	4.7kΩ 1/16W J	
R463	NRSA63J-223X	MG RESISTOR	22kΩ 1/16W J	
R464	NRSA63J-472X	MG RESISTOR	4.7kΩ 1/16W J	
R465	NRSA63J-201X	MG RESISTOR	200Ω 1/16W J	
R466	NRSA63J-223X	MG RESISTOR	22kΩ 1/16W J	
R467	NRSA63J-472X	MG RESISTOR	4.7kΩ 1/16W J	
R468	NRSA63J-201X	MG RESISTOR	200Ω 1/16W J	
R469	NRSA63J-102X	MG RESISTOR	1kΩ 1/16W J	
R470	NRSA63J-122X	MG RESISTOR	1.2kΩ 1/16W J	
R471	NRSA63J-472X	MG RESISTOR	4.7kΩ 1/16W J	
R472	NRSA63J-472X	MG RESISTOR	4.7kΩ 1/16W J	
R473	NRSA63J-223X	MG RESISTOR	22kΩ 1/16W J	
R474	NRSA63J-472X	MG RESISTOR	4.7kΩ 1/16W J	
R475	NRSA63J-201X	MG RESISTOR	200Ω 1/16W J	
R476	NRSA63J-223X	MG RESISTOR	22kΩ 1/16W J	
R477	NRSA63J-472X	MG RESISTOR	4.7kΩ 1/16W J	
R478	NRSA63J-201X	MG RESISTOR	200Ω 1/16W J	
R479	NRSA63J-102X	MG RESISTOR	1kΩ 1/16W J	
R482	NRSA63J-103X	MG RESISTOR	10kΩ 1/16W J	
R483	NRSA63J-103X	MG RESISTOR	10kΩ 1/16W J	
R484	NRSA63J-103X	MG RESISTOR	10kΩ 1/16W J	
R532	NRSA63J-153X	MG RESISTOR	15kΩ 1/16W J	
R533	NRSA63J-153X	MG RESISTOR	15kΩ 1/16W J	
RA401	NRZ0065-472X	MG RESISTOR	4.7kΩ	
L401	NQL38DK-330X	COIL	33uH K	
L531	NQR0536-001X	CHOKE COIL		
CN531	QNZ0855-001	USB CONNECTOR		
CN532	QGB1004K1-16	CONNECTOR	B-B (1-16)	
CN600	QGA1501C6-02	CONNECTOR	W-B (1-2)	
F531	NAD0031-004X	N THERMISTOR	Ω	
K441	NQR0502-001X	FERRITE BEADS		
X402	NAX0832-001X	CRYSTAL		

## USB board (KD-G827)

Block No. [0][9]

△ Symbol No.	Part No.	Part Name	Description	Local
IC401	TCC760	IC		
IC441	SA04D70TFI021A	IC(PROGRAMED)		
IC442	K4S161622H-UC60	IC		
IC451	AK4385ET-X	24 BITS DAC		
IC452	NJM4565V-X	IC		
IC481	SN74LVC2G07V-X	LOGIC IC		
IC482	SN74AHCT1G08V-X	IC		
IC521	BH18LB1WG-W	1.8V REG		
Q401	RT1N141C-X	TRANSISTOR		
D532	UDZS5.1B-X	Z DIODE		
D533	UDZS5.1B-X	Z DIODE		
D600	SML-310LT/MN/-X	LED		
C402	NCB31CK-104X	C CAPACITOR	0.1uF 16V K	
C403	NCB31CK-104X	C CAPACITOR	0.1uF 16V K	
C404	NCB31CK-104X	C CAPACITOR	0.1uF 16V K	
C406	NCB31CK-104X	C CAPACITOR	0.1uF 16V K	
C407	NDC31HJ-270X	C CAPACITOR	27pF 50V J	
C408	NDC31HJ-270X	C CAPACITOR	27pF 50V J	
C409	NCB31CK-104X	C CAPACITOR	0.1uF 16V K	
C410	NCB31CK-104X	C CAPACITOR	0.1uF 16V K	
C411	NDC31HJ-331X	C CAPACITOR	330pF 50V J	
C412	NCB31CK-104X	C CAPACITOR	0.1uF 16V K	
C413	NCB31CK-104X	C CAPACITOR	0.1uF 16V K	
C414	NCB31CK-104X	C CAPACITOR	0.1uF 16V K	
C415	NCB31CK-104X	C CAPACITOR	0.1uF 16V K	
C416	NCB31CK-104X	C CAPACITOR	0.1uF 16V K	
C417	NCB31CK-104X	C CAPACITOR	0.1uF 16V K	
C418	NCB31CK-104X	C CAPACITOR	0.1uF 16V K	
C419	NCB31CK-104X	C CAPACITOR	0.1uF 16V K	
C420	NCB31CK-104X	C CAPACITOR	0.1uF 16V K	
C440	NCB31AK-154X	C CAPACITOR	0.15uF 10V K	
C441	NCB31CK-104X	C CAPACITOR	0.1uF 16V K	
C442	NBE20JM-226X	TA E CAPACITOR	22uF 6.3V M	
C443	NCB31CK-104X	C CAPACITOR	0.1uF 16V K	
C444	NCB31CK-104X	C CAPACITOR	0.1uF 16V K	
C445	NCB31CK-104X	C CAPACITOR	0.1uF 16V K	
C446	NCB31CK-104X	C CAPACITOR	0.1uF 16V K	
C447	NCB31CK-104X	C CAPACITOR	0.1uF 16V K	
C448	NBE20JM-226X	TA E CAPACITOR	22uF 6.3V M	
C449	NCB31CK-104X	C CAPACITOR	0.1uF 16V K	
C451	NCB31HK-331X	C CAPACITOR	330pF 50V K	
C453	NCB31CK-473X	C CAPACITOR	0.047uF 16V K	
C454	NBE41AM-476X	TA E CAPACITOR	47uF 10V M	
C455	NCB31CK-104X	C CAPACITOR	0.1uF 16V K	
C456	NCB31CK-104X	C CAPACITOR	0.1uF 16V K	
C457	NBE41AM-476X	TA E CAPACITOR	47uF 10V M	
C461	NCB31HK-332X	C CAPACITOR	3300pF 50V K	
C462	NCS31HJ-471X	C CAPACITOR	470pF 50V J	
C463	NCS31HJ-471X	C CAPACITOR	470pF 50V J	
C464	NCB31CK-104X	C CAPACITOR	0.1uF 16V K	
C465	NBE41AM-476X	TA E CAPACITOR	47uF 10V M	
C471	NCB31HK-332X	C CAPACITOR	3300pF 50V K	
C472	NCS31HJ-471X	C CAPACITOR	470pF 50V J	
C473	NCS31HJ-471X	C CAPACITOR	470pF 50V J	
C474	NCB31CK-104X	C CAPACITOR	0.1uF 16V K	
C475	NBE41AM-476X	TA E CAPACITOR	47uF 10V M	
C481	NCB31CK-104X	C CAPACITOR	0.1uF 16V K	
C482	NCB31CK-104X	C CAPACITOR	0.1uF 16V K	
C521	NBE21CM-475X	TA E CAPACITOR	4.7uF 16V M	
C522	NCB31CK-104X	C CAPACITOR	0.1uF 16V K	
C531	NCB31AK-474X	C CAPACITOR	0.47uF 10V K	
R398	NRSA63J-0R0X	MG RESISTOR	0Ω 1/16W J	
R399	NRSA63J-0R0X	MG RESISTOR	0Ω 1/16W J	
R401	NRSA63J-0R0X	MG RESISTOR	0Ω 1/16W J	
R402	NRSA63J-0R0X	MG RESISTOR	0Ω 1/16W J	
R403	NRSA63J-0R0X	MG RESISTOR	0Ω 1/16W J	
R404	NRSA63J-472X	MG RESISTOR	4.7kΩ 1/16W J	
R405	NRSA63J-472X	MG RESISTOR	4.7kΩ 1/16W J	
R406	NRSA63J-472X	MG RESISTOR	4.7kΩ 1/16W J	
R407	NRSA63J-0R0X	MG RESISTOR	0Ω 1/16W J	

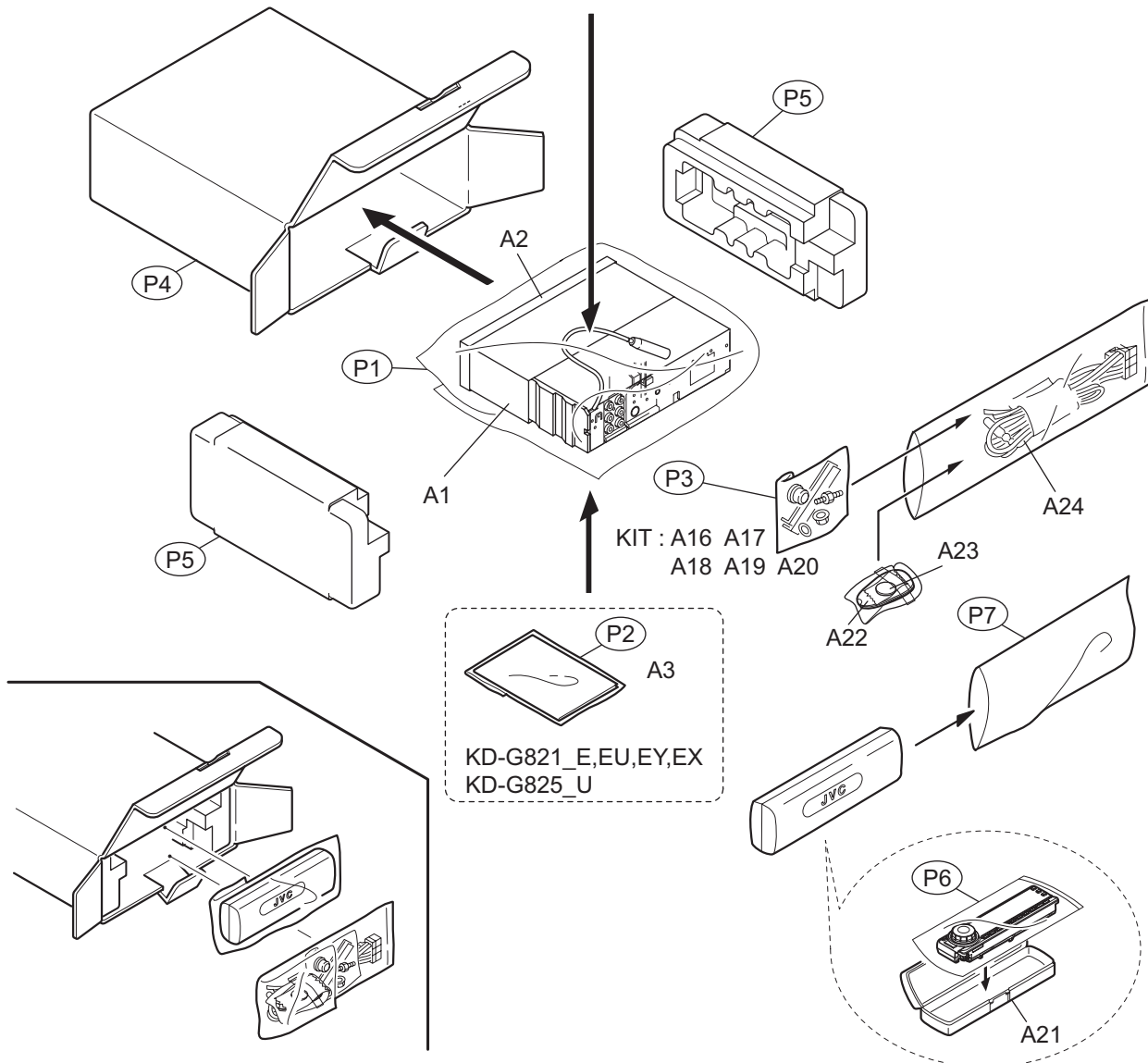
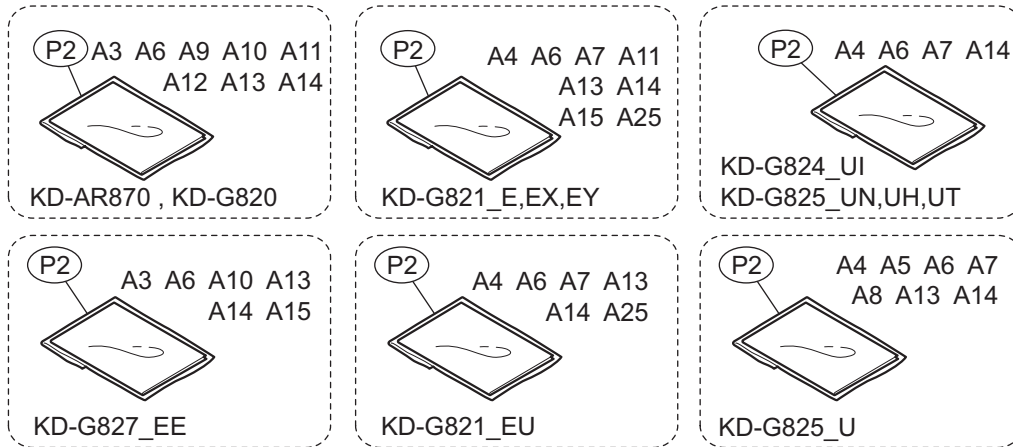
Symbol No.	Part No.	Part Name	Description	Local
R408	NRSA63J-0R0X	MG RESISTOR	0Ω 1/16W J	
R409	NRSA63J-102X	MG RESISTOR	1kΩ 1/16W J	
R410	NRSA63J-0R0X	MG RESISTOR	0Ω 1/16W J	
R411	NRSA63J-152X	MG RESISTOR	1.5kΩ 1/16W J	
R412	NRSA63J-105X	MG RESISTOR	1MΩ 1/16W J	
R414	NRSA63J-0R0X	MG RESISTOR	0Ω 1/16W J	
R415	NRSA63J-0R0X	MG RESISTOR	0Ω 1/16W J	
R416	NRSA63J-0R0X	MG RESISTOR	0Ω 1/16W J	
R417	NRSA63J-0R0X	MG RESISTOR	0Ω 1/16W J	
R418	NRSA63J-0R0X	MG RESISTOR	0Ω 1/16W J	
R420	NRSA63J-104X	MG RESISTOR	100kΩ 1/16W J	
R421	NRSA63J-472X	MG RESISTOR	4.7kΩ 1/16W J	
R425	NRSA63J-103X	MG RESISTOR	10kΩ 1/16W J	
R426	NRSA63J-0R0X	MG RESISTOR	0Ω 1/16W J	
R435	NRSA63J-472X	MG RESISTOR	4.7kΩ 1/16W J	
R436	NRSA63J-472X	MG RESISTOR	4.7kΩ 1/16W J	
R437	NRSA63J-472X	MG RESISTOR	4.7kΩ 1/16W J	
R441	NRSA63J-102X	MG RESISTOR	1kΩ 1/16W J	
R444	NRSA63J-0R0X	MG RESISTOR	0Ω 1/16W J	
R446	NRSA63J-472X	MG RESISTOR	4.7kΩ 1/16W J	
R447	NRSA63J-0R0X	MG RESISTOR	0Ω 1/16W J	
R448	NRSA63J-473X	MG RESISTOR	47kΩ 1/16W J	
R451	NRSA63J-473X	MG RESISTOR	47kΩ 1/16W J	
R452	NRSA63J-0R0X	MG RESISTOR	0Ω 1/16W J	
R453	NRSA63J-4R7X	MG RESISTOR	4.7Ω 1/16W J	
R454	NRSA63J-100X	MG RESISTOR	10Ω 1/16W J	
R455	NRSA63J-100X	MG RESISTOR	10Ω 1/16W J	
R460	NRSA63J-122X	MG RESISTOR	1.2kΩ 1/16W J	
R461	NRSA63J-472X	MG RESISTOR	4.7kΩ 1/16W J	
R462	NRSA63J-472X	MG RESISTOR	4.7kΩ 1/16W J	
R463	NRSA63J-223X	MG RESISTOR	22kΩ 1/16W J	
R464	NRSA63J-472X	MG RESISTOR	4.7kΩ 1/16W J	
R465	NRSA63J-201X	MG RESISTOR	200Ω 1/16W J	
R466	NRSA63J-223X	MG RESISTOR	22kΩ 1/16W J	
R467	NRSA63J-472X	MG RESISTOR	4.7kΩ 1/16W J	
R468	NRSA63J-201X	MG RESISTOR	200Ω 1/16W J	
R469	NRSA63J-102X	MG RESISTOR	1kΩ 1/16W J	
R470	NRSA63J-122X	MG RESISTOR	1.2kΩ 1/16W J	
R471	NRSA63J-472X	MG RESISTOR	4.7kΩ 1/16W J	
R472	NRSA63J-472X	MG RESISTOR	4.7kΩ 1/16W J	
R473	NRSA63J-223X	MG RESISTOR	22kΩ 1/16W J	
R474	NRSA63J-472X	MG RESISTOR	4.7kΩ 1/16W J	
R475	NRSA63J-201X	MG RESISTOR	200Ω 1/16W J	
R476	NRSA63J-223X	MG RESISTOR	22kΩ 1/16W J	
R477	NRSA63J-472X	MG RESISTOR	4.7kΩ 1/16W J	
R478	NRSA63J-201X	MG RESISTOR	200Ω 1/16W J	
R479	NRSA63J-102X	MG RESISTOR	1kΩ 1/16W J	
R482	NRSA63J-103X	MG RESISTOR	10kΩ 1/16W J	
R483	NRSA63J-103X	MG RESISTOR	10kΩ 1/16W J	
R484	NRSA63J-103X	MG RESISTOR	10kΩ 1/16W J	
R532	NRSA63J-153X	MG RESISTOR	15kΩ 1/16W J	
R533	NRSA63J-153X	MG RESISTOR	15kΩ 1/16W J	
RA401	NRZ0065-472X	MG RESISTOR	4.7kΩ	
L401	NQL38DK-330X	COIL	33uH K	
L531	NQR0536-001X	CHOKO COIL		
CN531	QNZ0855-001	USB CONNECTOR		
CN532	QGB1004K1-16	CONNECTOR	B-B (1-16)	
CN600	QGA1501C6-02	CONNECTOR	W-B (1-2)	
F531	NAD0031-004X	N THERMISTOR	Ω	
K441	NQR0502-001X	FERRITE BEADS		
X402	NAX0832-001X	CRYSTAL		

**<MEMO>**

# Packing materials and accessories parts list

Block No. **M 3 M M**

No additional / supplemental order of WARRANTY CARDS are available.



# Packing and Accessories

Block No. [M][3][M][M]

△	Symbol No.	Part No.	Part Name	Description	Local
	A 1	GE20137-003A	MOUNTING SLEEVE		
	A 2	GE20149-010A	TRIM PLATE		AR870J,G827EE
	A 2	GE20149-013A	TRIM PLATE		G820J, G821E, G821EX, G821EY, G821EU, G824UI, G825U, G825UN, G825UH, G825UT
	A 3	GET0359-001A	INST BOOK	ENG SPA FRE	AR870J, G820J
	A 3	GET0362-001A	INST BOOK	GER FRE ITA	G821E
	A 3	GET0362-003A	INST BOOK	ENG FRE	G821EX, G821EU
	A 3	GET0362-006A	INST BOOK	ENG GER RUS	G821EY
	A 3	GET0361-001A	INST BOOK	ENG	G824UI
	A 3	GET0360-001A	INST BOOK	ENG THA	G825U, G825UH
	A 3	GET0360-004A	INST BOOK	ENG INA	G825UN
	A 3	GET0360-005A	INST BOOK	ENG CHI(TAIWAN)	G825UT
	A 3	GET0363-001A	INST BOOK	ENG RUS	G827EE
	A 4	GET0362-002A	INST BOOK	SPA GRE POR	G821E
	A 4	GET0362-004A	INST BOOK	DUT SWE DAN FIN	G821EX
	A 4	GET0362-007A	INST BOOK	POL CZE HUN	G821EY
	A 4	GET0362-005A	INST BOOK	SPA TUR PER	G821EU
	A 4	GET0360-002A	INST BOOK	KOR CHI(TAIWAN) ARA PER	G825U
	A 5	GET0360-003A	INST BOOK	RUS	G825U
	A 6	GET0359-002A	INSTALL MANUAL		AR870J, G820J
	A 6	GET0362-008A	INSTALL MANUAL		G821E
	A 6	GET0362-010A	INSTALL MANUAL		G821EX, G821EU
	A 6	GET0362-013A	INSTALL MANUAL		G821EY
	A 6	GET0361-002A	INSTALL MANUAL		G824UI
	A 6	GET0360-006A	INSTALL MANUAL		G825U, G825UH
	A 6	GET0360-009A	INSTALL MANUAL		G825UN
	A 6	GET0360-010A	INSTALL MANUAL		G825UT
	A 6	GET0363-002A	INSTALL MANUAL		G827EE
	A 7	GET0362-009A	INSTALL MANUAL		G821E
	A 7	GET0362-011A	INSTALL MANUAL		G821EX
	A 7	GET0362-014A	INSTALL MANUAL		G821EY
	A 7	GET0362-012A	INSTALL MANUAL		G821EU
	A 7	GET0360-007A	INSTALL MANUAL		G825U
	A 8	GET0360-008A	INSTALL MANUAL		G825U
	A 9	LVT0717-001B	TROUBLE SHEET(C		AR870J, G820J
	A 10	-----	WARRANTY CARD	BT-52006-2	AR870J, G820J
	A 10	-----	WARRANTY CARD	BT-54028-1	G821E, G821EX, G821EY, G827EE
	A 11	-----	WARRANTY CARD	BT-51029-2	AR870J
	A 11	-----	WARRANTY CARD	BT-51018-4	G820J
	A 12	BT-51034-2	J=REGIST CARD		AR870J, G820J
	A 13	QAM0840-001	CD ROM		
	A 14	LVT1503-001A	IMAGE CONV.SHT		
	A 15	VND3046-001	SERIAL TICKET		G821E, G821EX, G821EY, G827EE
	A 16	VKZ4027-202	PLUG NUT		
	A 17	VKH4871-003	MOUNT BOLT		
	A 18	VKZ4328-003	LOCK NUT		
	A 19	QYWWS53A008ZA	WASHER	0mm/5.3mm x	
	A 20	GE40130-002A	HOOK	(x2)	
	A 21	GE32149-001A	HARD CASE ASSY		
	A 22	RM-RK50C	REMOCON		
	A 23	QAB0014-001	BATTERY		
	A 24	QAM0675-001	16P CORD ASSY		AR870J
	A 24	QAM0306-002	16P CORD ASSY		G820J
	A 24	QAM0569-002	CAR CABLE		G821E, G821EX, G821EY, G821EU, G827EE
△	A 24	QAM0308-004	POWER CORD		G824UI, G825U, G825UN, G825UH, G825UT
	A 25	VND3050-002	IDENTITY CARD		G821E, G821EX, G821EY
	KIT	SRW-385U	SCREW PARTS KIT	A16 A17 A18 A19 20	
	P 1	QPC03004315P	POLY BAG	30cm x 43cm	
	P 2	FSPG4002-001	POLY BAG		AR870J, G820J, G824UI, G825UN, G825UH, G825UT, G827EE
	P 2	FSPG4002-001	POLY BAG	(x2)	G821E, G821EX, G821EY, G821EU, G825U
	P 3	QPA00801205	POLY BAG	8cm x 12cm	
	P 4	GE31924-001A	CARTON		AR870J
	P 4	GE31927-001A	CARTON		G820J
	P 4	GE31933-001A	CARTON		G821E, G821EX, G821EY, G821EU
	P 4	GE32045-001A	CARTON		G824UI
	P 4	GE31930-001A	CARTON		G825U, G825UN, G825UH
	P 4	GE31949-001A	CARTON		G825UT
	P 4	GE31936-001A	CARTON		G827EE
	P 5	GE10156-001A	EPS CUSHION		
	P 6	QPC01002515	POLY BAG	10cm x 25cm	
	P 7	QPA01003003	POLY BAG	10cm x 30cm	

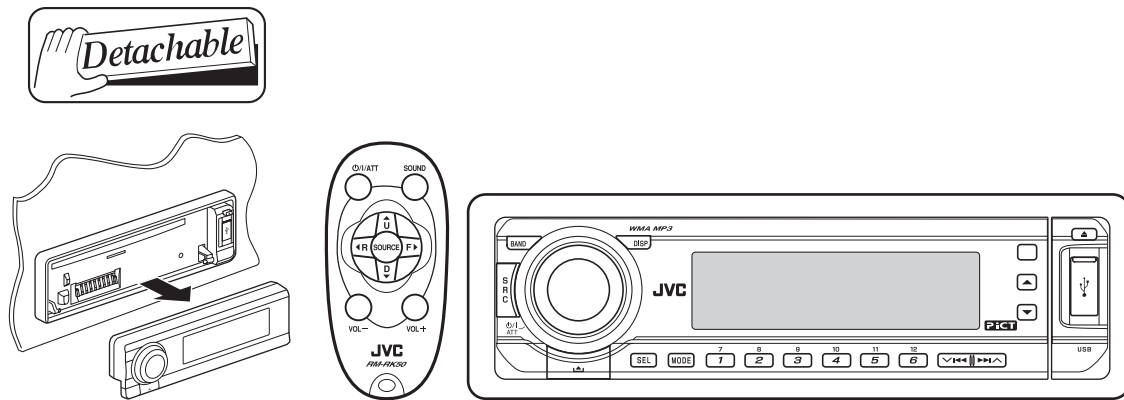
# JVC

## SCHEMATIC DIAGRAMS

### CD RECEIVER

**KD-AR870J, KD-G820J, KD-G821E, KD-G821EX  
KD-G821EY, KD-G821EU, KD-G824UI, KD-G825U  
KD-G825UN, KD-G825UH, KD-G827EE**

CD-ROM No.SML200602



**MP3 WMA**

**PiCT**

**SAT  
RADIO  
READY**



**COMPACT  
disc  
DIGITAL AUDIO  
TEXT**



Lead free solder used in the board (material : Sn-Ag-Cu, melting point : 219 Centigrade)

### Contents

Block diagram .....	2-1
Standard schematic diagrams .....	2-3
Printed circuit boards .....	2-19 to 21

## Safety precaution



**CAUTION** Burrs formed during molding may be left over on some parts of the chassis. Therefore, pay attention to such burrs in the case of performing repair of this system.

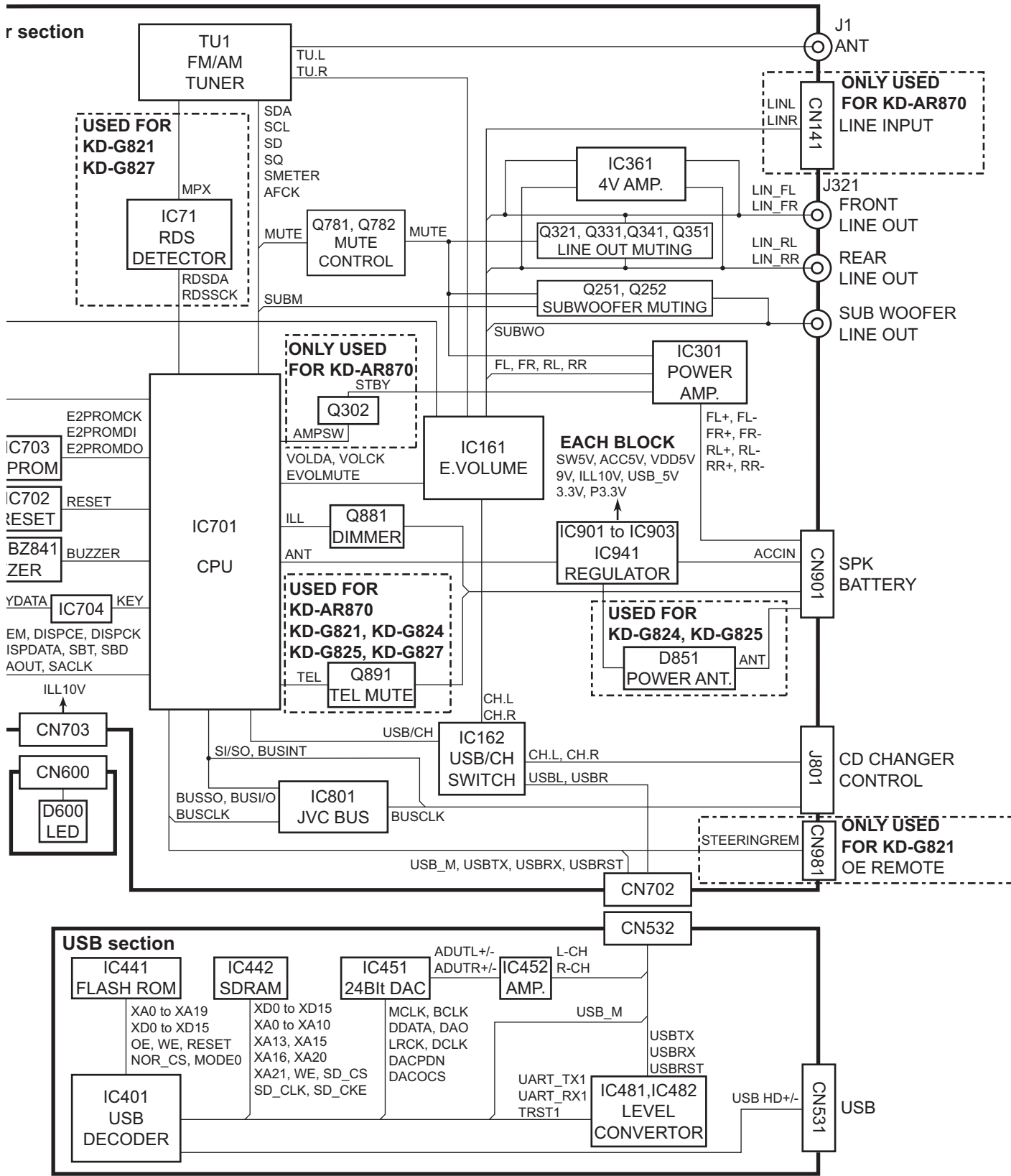


**CAUTION** Please use enough caution not to see the beam directly or touch it in case of an adjustment or operation check.

< MEMO >

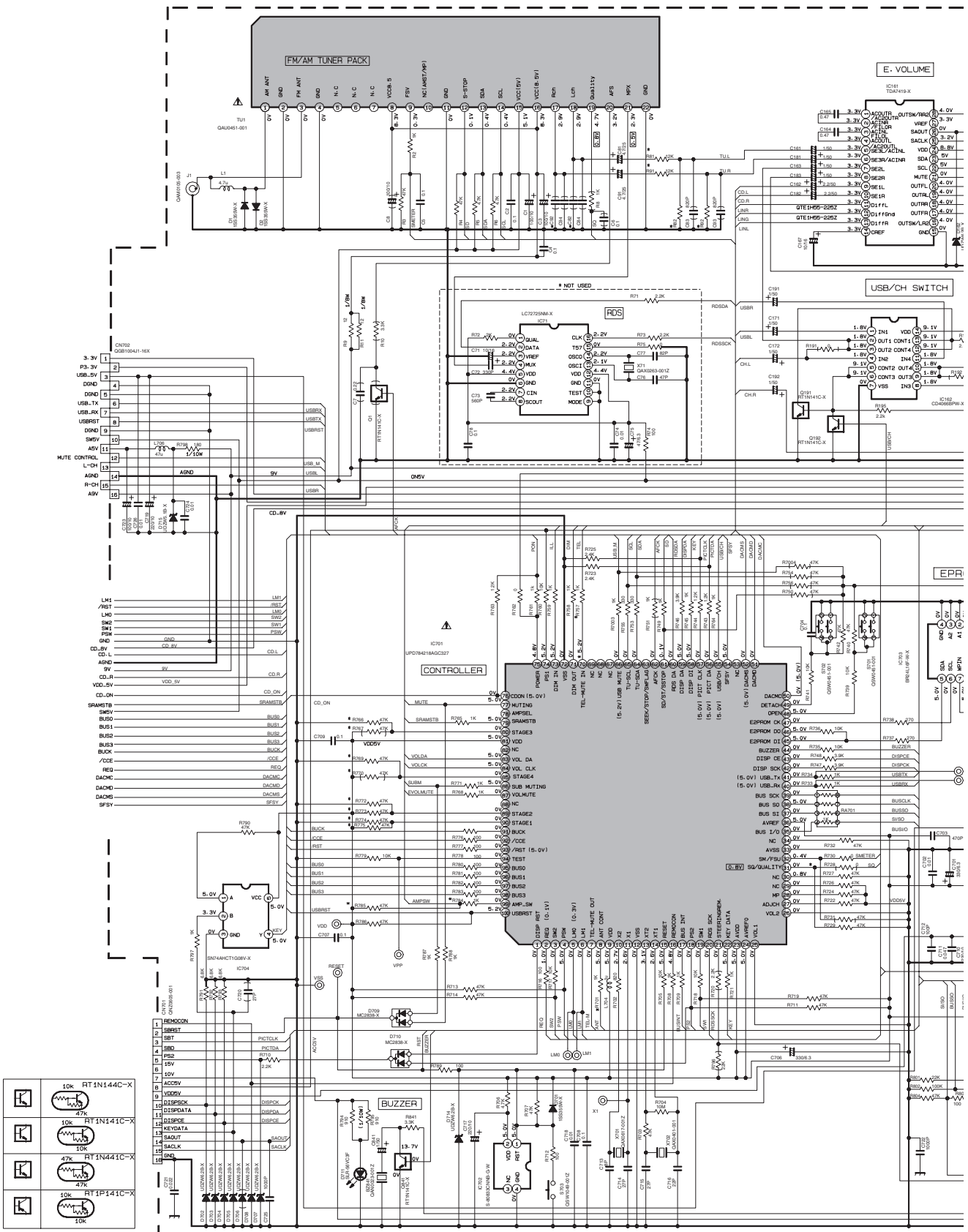




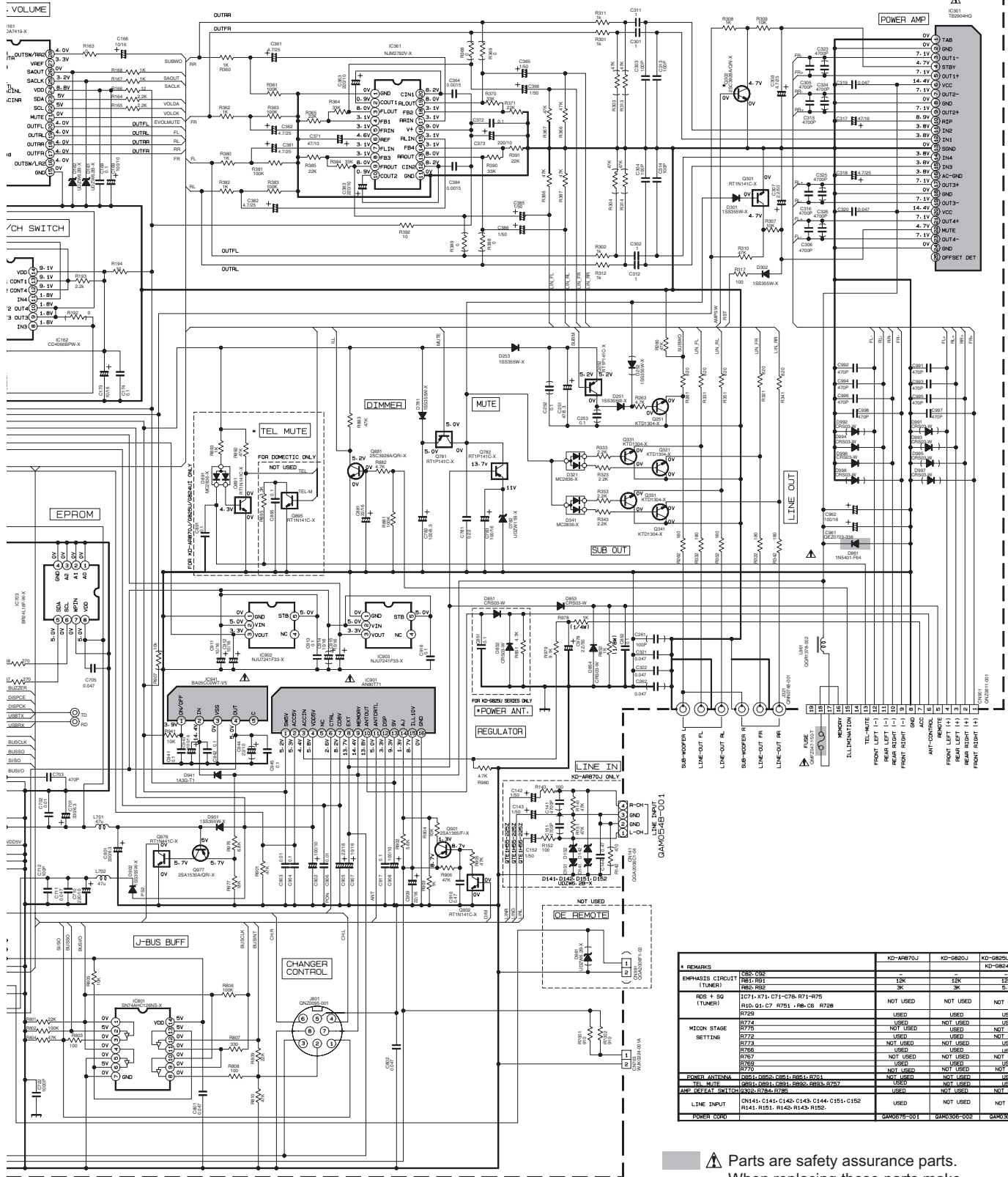


# Standard schematic diagrams

## ■ Main section (for KD-AR870, KD-G820, KD-G824, KD-G825)



NOTES: 1. VOLTAGES ARE DC-MEASURED WITH A DIGITAL VOLT METER WITHOUT INPUT SIGNAL.  
 CONDITION—FM MODE: [ ] AM MODE: ( ) 100 MODE: A USB MODE.  
 2. UNLESS OTHERWISE SPECIFIED:  
 ALL RESISTORS ARE 1/16Watts METAL GLAZE RESISTOR.  
 ALL CAPACITORS ARE 50V OR 25V CERAMIC CAPACITOR.  
 ALL RESISTANCE VALUES ARE IN OHMS.  
 ALL CAPACITANCE VALUES ARE IN pF (pF).  
 ALL C-CAPACITORS ARE SHOWN IN THE FORM OF CAPACITANCE/(RATED VOLTAGE/1V).  
 MF — METALLIZED FILM CAPACITOR.  
 3. COMPONENTS IN {} INDICATE NOT USE.

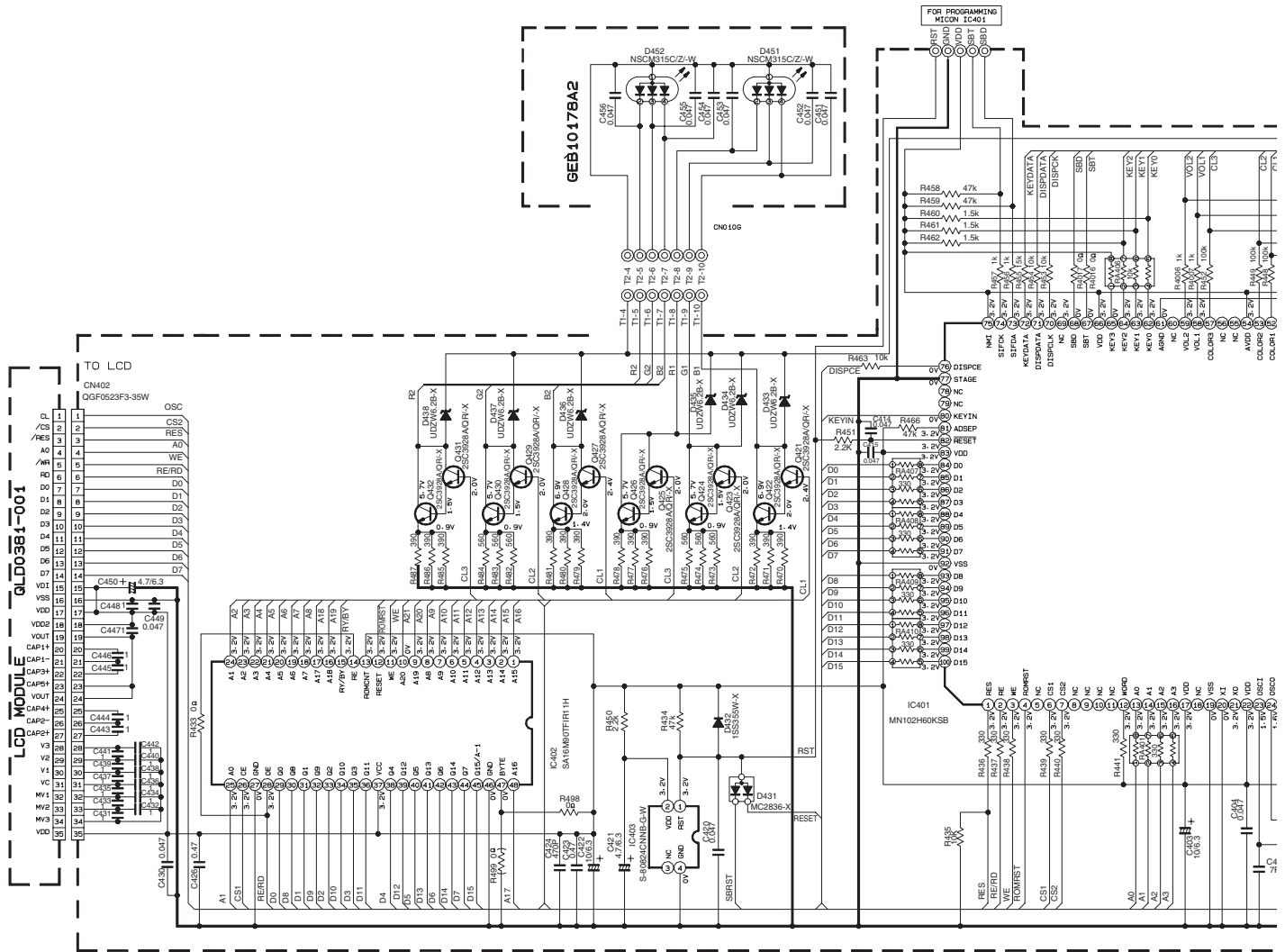


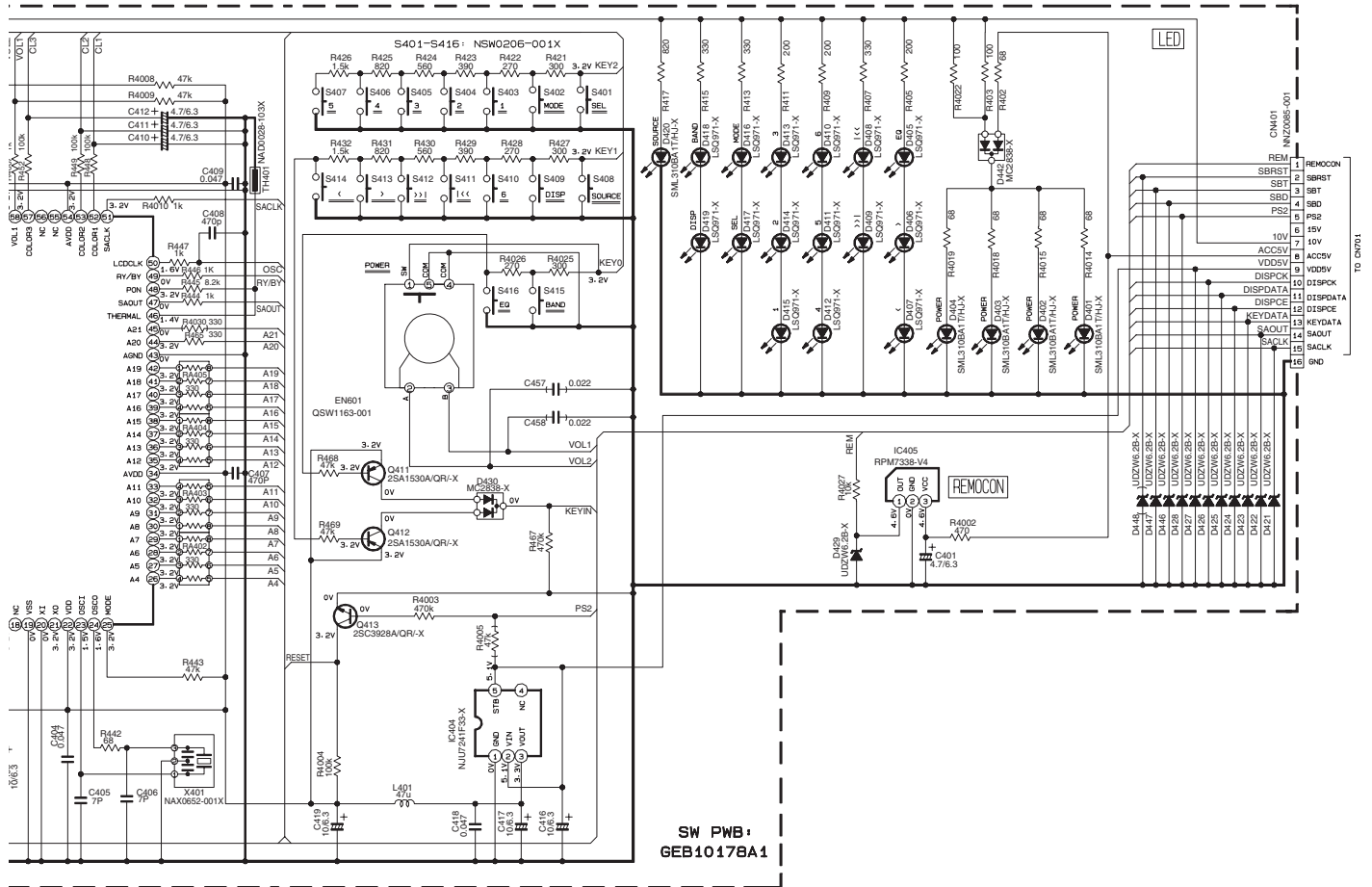
MAIN PWB:GEB10170A

REMARKS	085-082	KD-AR70J	KD-GR2J	KD-GR25U SERIES
EMPHASIS CIRCUIT (TUNER)	R81:R91	12K	12K	12K
RDS + SG (TUNER)	R101-R110	3K	3K	3K
MIDON STAGE	R729	USED	NOT USED	USED
SETTING	R775	NOT USED	USED	NOT USED
	R776	USED	USED	NOT USED
	R777	NOT USED	USED	USED
	R785	USED	NOT USED	USED
	R786	NOT USED	NOT USED	NOT USED
	R788	USED	USED	NOT USED
	R789	NOT USED	USED	NOT USED
POWER ANTENNA	C851-C852, C853, R851, R852	NOT USED	NOT USED	USED
TEL MUTE	C854, R853, R854, R855, R856, R857	USED	NOT USED	USED
LINE INPUT SWITCH	C143, C144, C145, C146, C147, C148, C149, C150, C151, C152	USED	NOT USED	NOT USED
POWER COORD	R141-R151, R142-R152	GAM054B-001	GAM0306-002	GAM0306-004

⚠ Parts are safety assurance parts. When replacing those parts make sure to use the specified one.

# ■ LCD & Key control section (for KD-AR870,KD-G820,KD-G824,KD-G825)



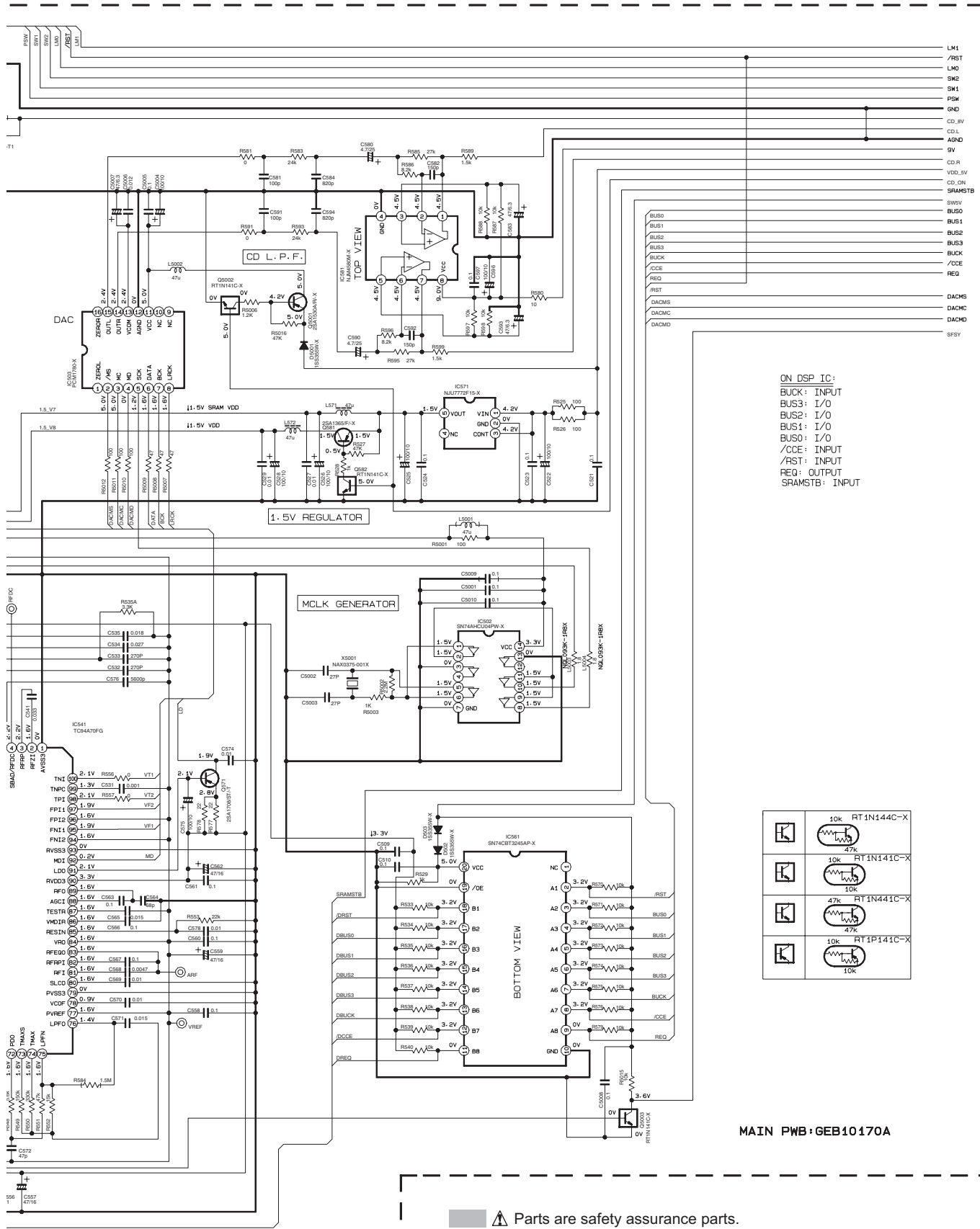


		RT1N141C-X
		RT1N441C-X
		RT1P141C-X

**NOTES**

- VOLTAGES ARE DC-MEASURED WITH A DIGITAL VOLT METER WITHOUT INPUT SIGNAL. CONDITION --- CD MODE.
- UNLESS OTHERWISE SPECIFIED.
  - ALL RESISTORS ARE 1/30W OR 1/16W OR 1/10W±5% METAL GLAZE RESISTOR.
  - ALL CAPACITORS ARE 50V OR 50V OR 50V OR 50V CERAMIC CAPACITOR OR 50V MYLAR CAPACITOR.
  - ALL RESISTANCE VALUES ARE IN OHM(Ω).
  - ALL CAPACITANCE VALUES ARE IN μF(μF).
  - ALL E-CAPACITORS ARE SHOWN IN THE FORM OF CAPACITANCE(μF)/RATED VOLTAGE (V).





ON DSP IC:  
 BUCK : INPUT  
 BUS3 : I/O  
 BUS2 : I/O  
 BUS1 : I/O  
 BUS0 : I/O  
 /CCE : INPUT  
 /RST : INPUT  
 REQ : OUTPUT  
 SRAMSTB : INPUT

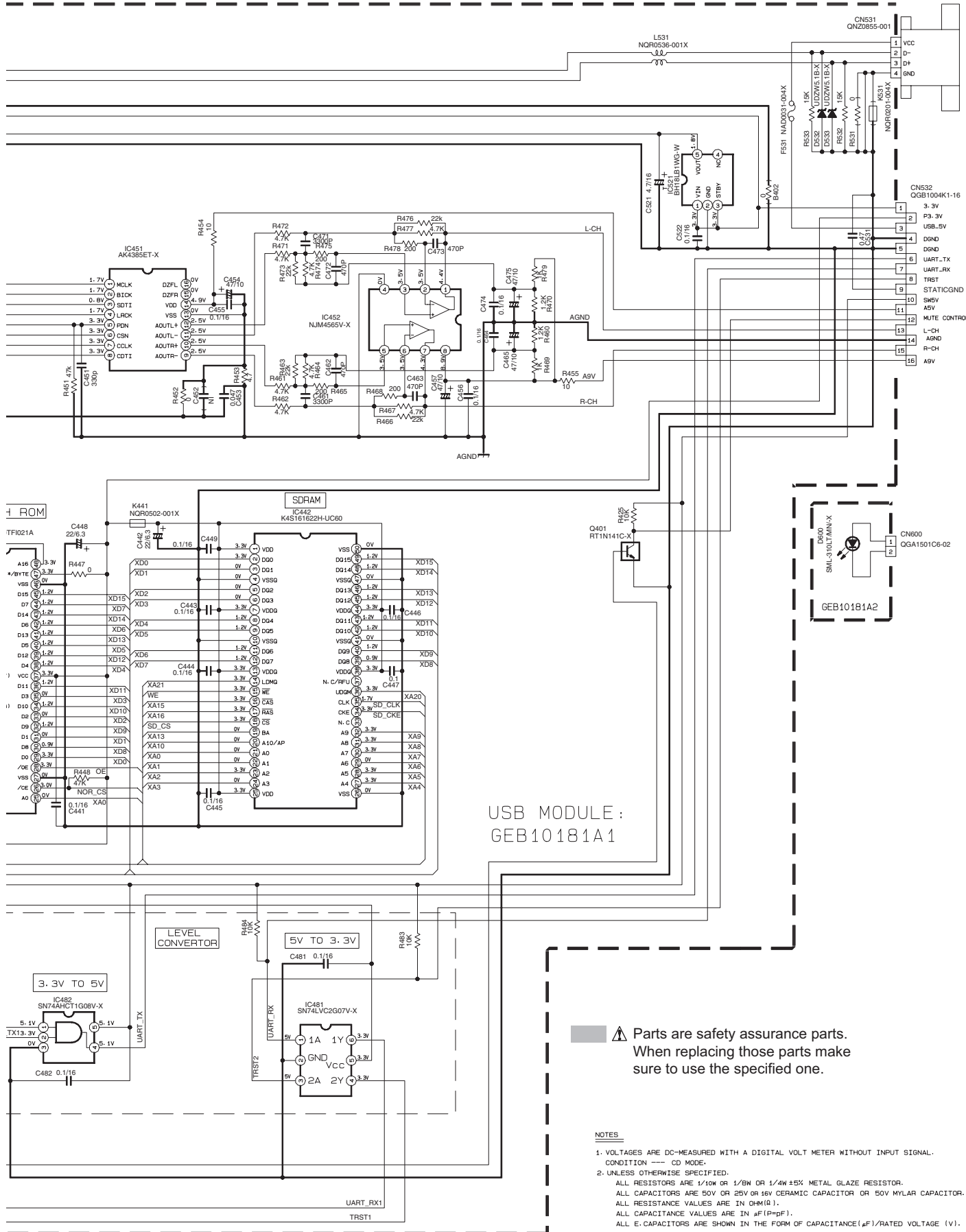
	10k	RT1N144C-X
	47k	RT1N141C-X
	10k	RT1N141C-X
	47k	RT1N144C-X
	10k	RT1P141C-X

MAIN PWB:GEB10170A

⚠ Parts are safety assurance parts.  
 When replacing those parts make  
 sure to use the specified one.







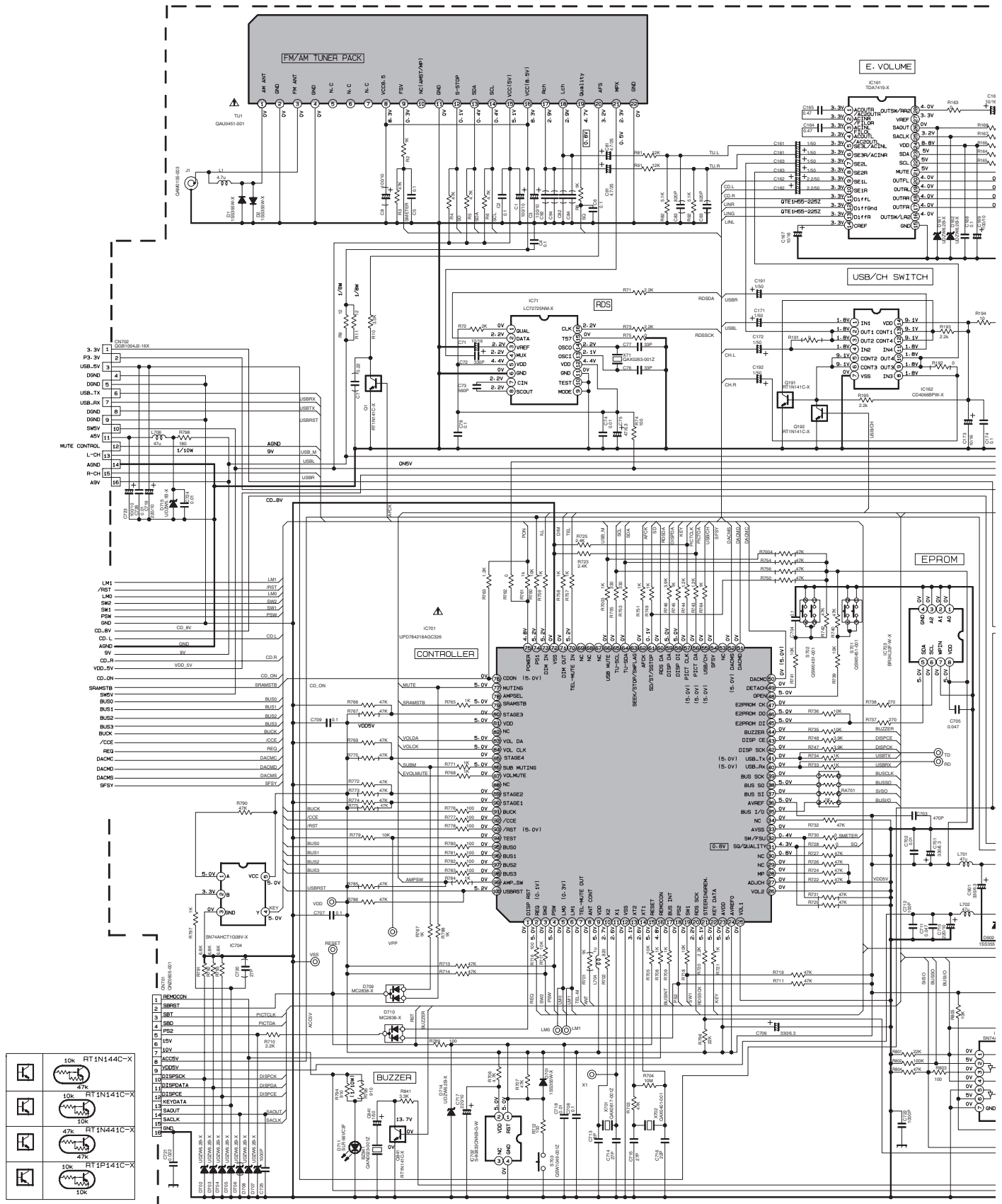
USB MODULE :  
GEB10181A1

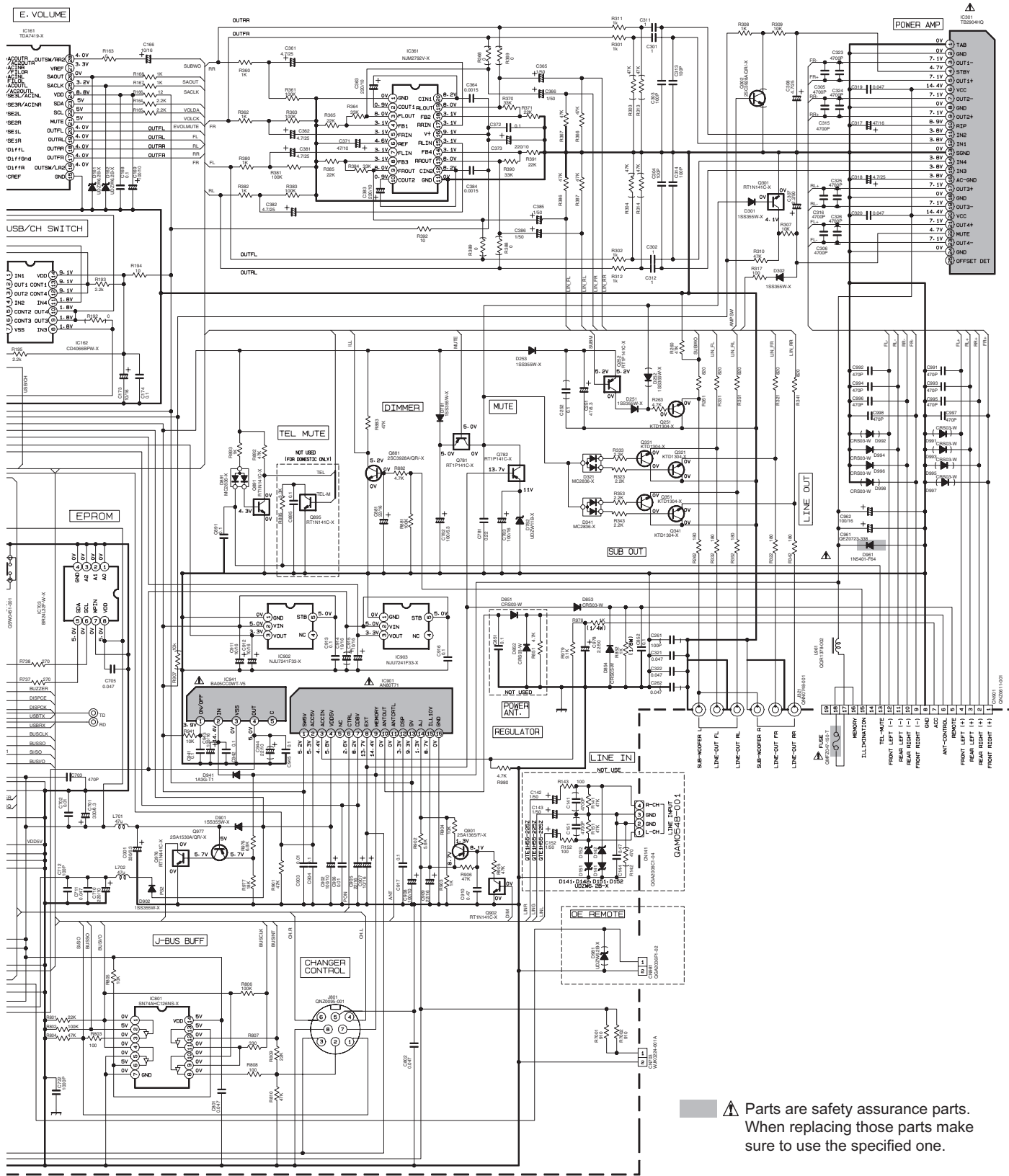
⚠ Parts are safety assurance parts.  
When replacing those parts make  
sure to use the specified one.

**NOTES**

1. VOLTAGES ARE DC-MEASURED WITH A DIGITAL VOLT METER WITHOUT INPUT SIGNAL. CONDITION --- CD MODE.
2. UNLESS OTHERWISE SPECIFIED.  
ALL RESISTORS ARE 1/10W OR 1/8W OR 1/4W ±5% METAL GLAZE RESISTOR.  
ALL CAPACITORS ARE 50V OR 25V OR 16V CERAMIC CAPACITOR OR 50V MYLAR CAPACITOR.  
ALL RESISTANCE VALUES ARE IN Ω(M|B).  
ALL CAPACITANCE VALUES ARE IN μF(P=PF).  
ALL E-CAPACITORS ARE SHOWN IN THE FORM OF CAPACITANCE(μF)/RATED VOLTAGE (V).

# Main section (for KD-G821)



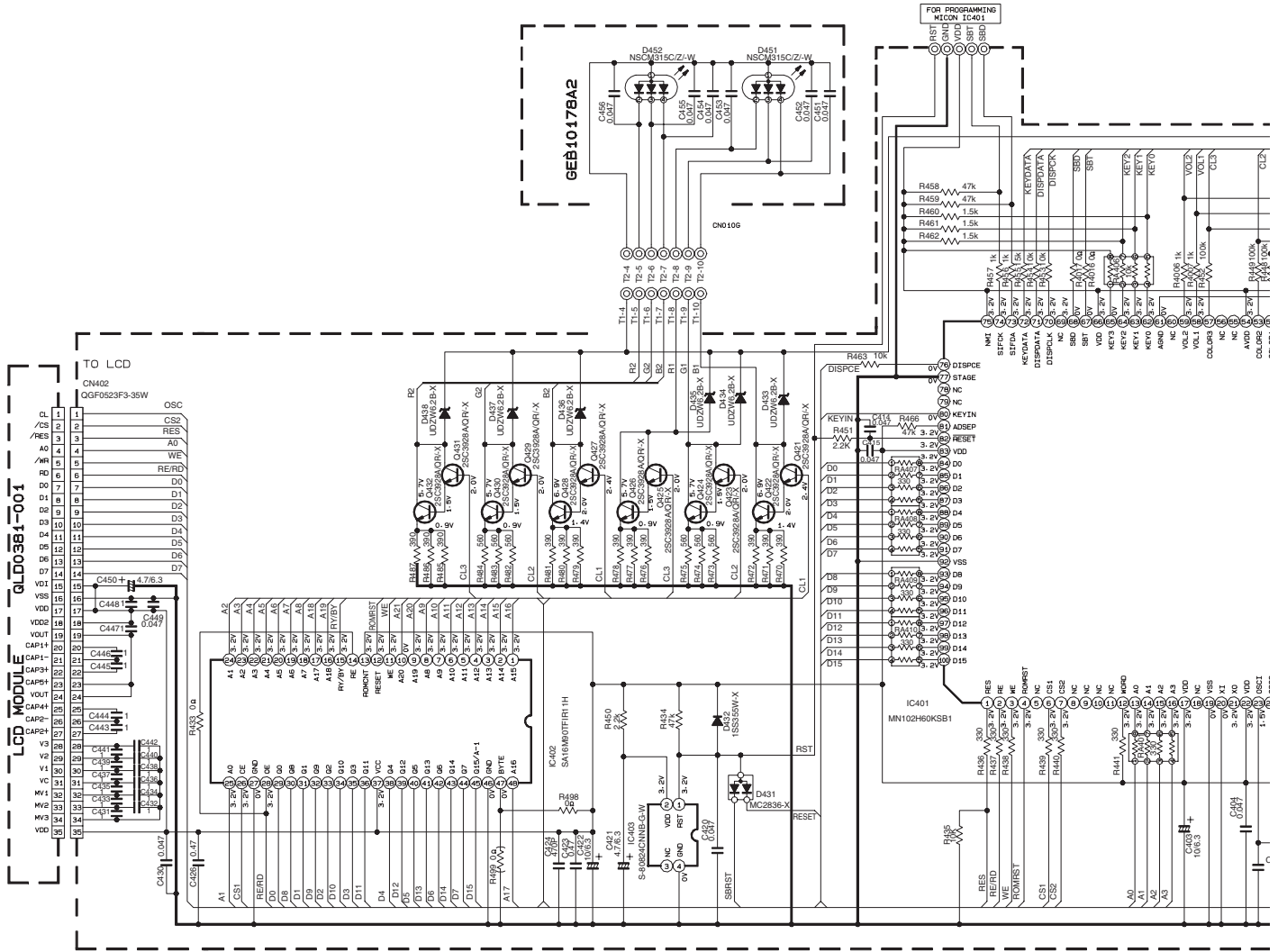


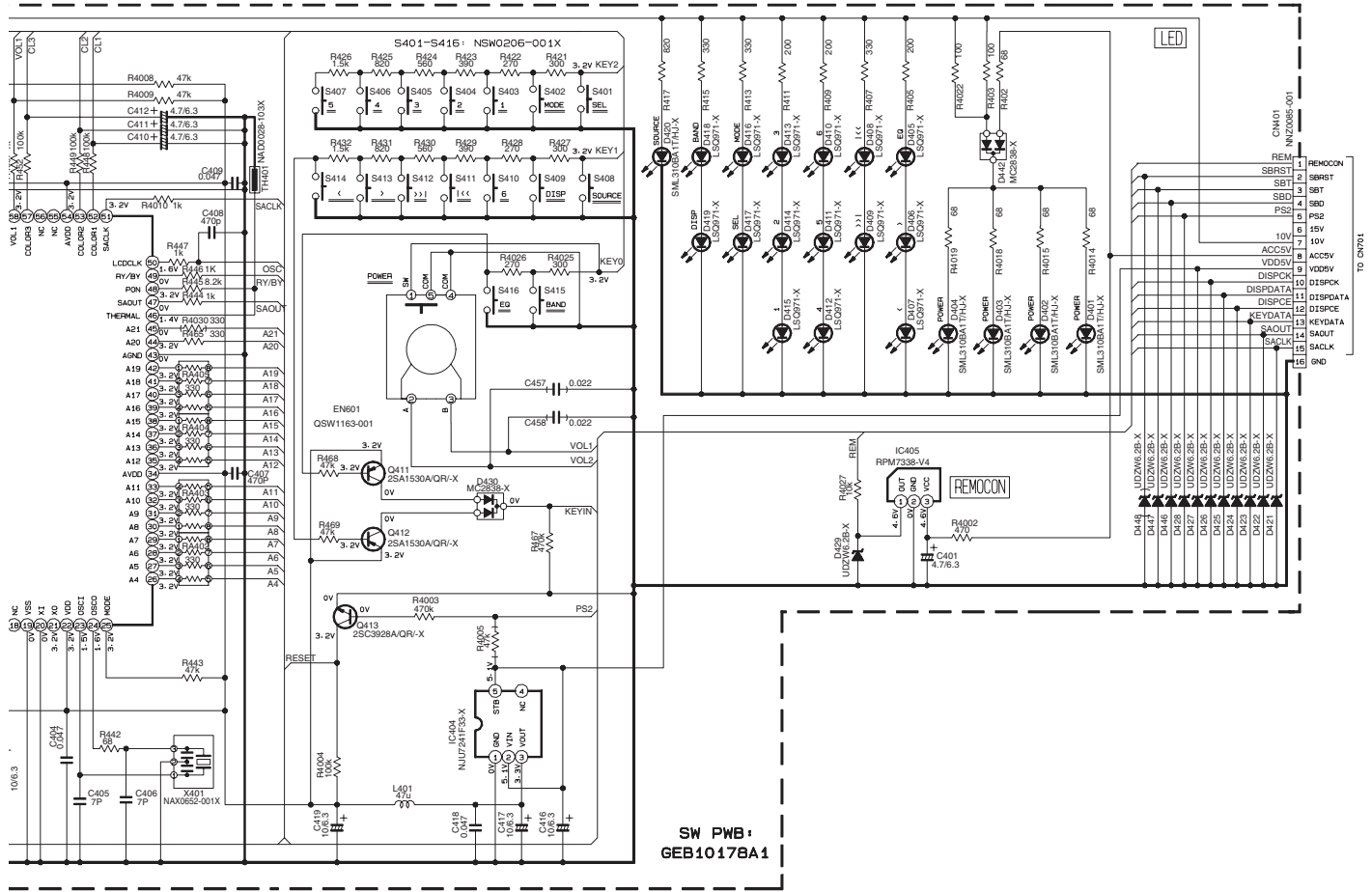
- NOTES: 1. VOLTAGES ARE DC-MEASURED WITH A DIGITAL VOLT METER WITHOUT INPUT SIGNAL.  
 CONDITION—FM MODE: □ AM MODE, 1 TDD MODE, 4 1) USB MODE.  
 2. UNLESS OTHERWISE SPECIFIED:  
 ALL RESISTORS ARE 1/16WATT METAL GLAZE RESISTOR  
 ALL CAPACITORS ARE 50V OR 50V GRM/CAPACITOR  
 ALL RESISTANCE VALUES ARE IN OHM.  
 ALL CAPACITANCE VALUES ARE IN UF (PPF)  
 ALL E-CAPACITORS ARE SHOWN IN THE FORM OF CAPACITANCE/(RATED VOLTAGE)  
 MF — METALLIZED FILM CAPACITOR  
 3. COMPONENTS IN ( ) INDICATE NOT USE.

MAIN PWB GEB10170A

⚠ Parts are safety assurance parts.  
 When replacing those parts make  
 sure to use the specified one.

# ■ LCD & Key control section (for KD-G821)



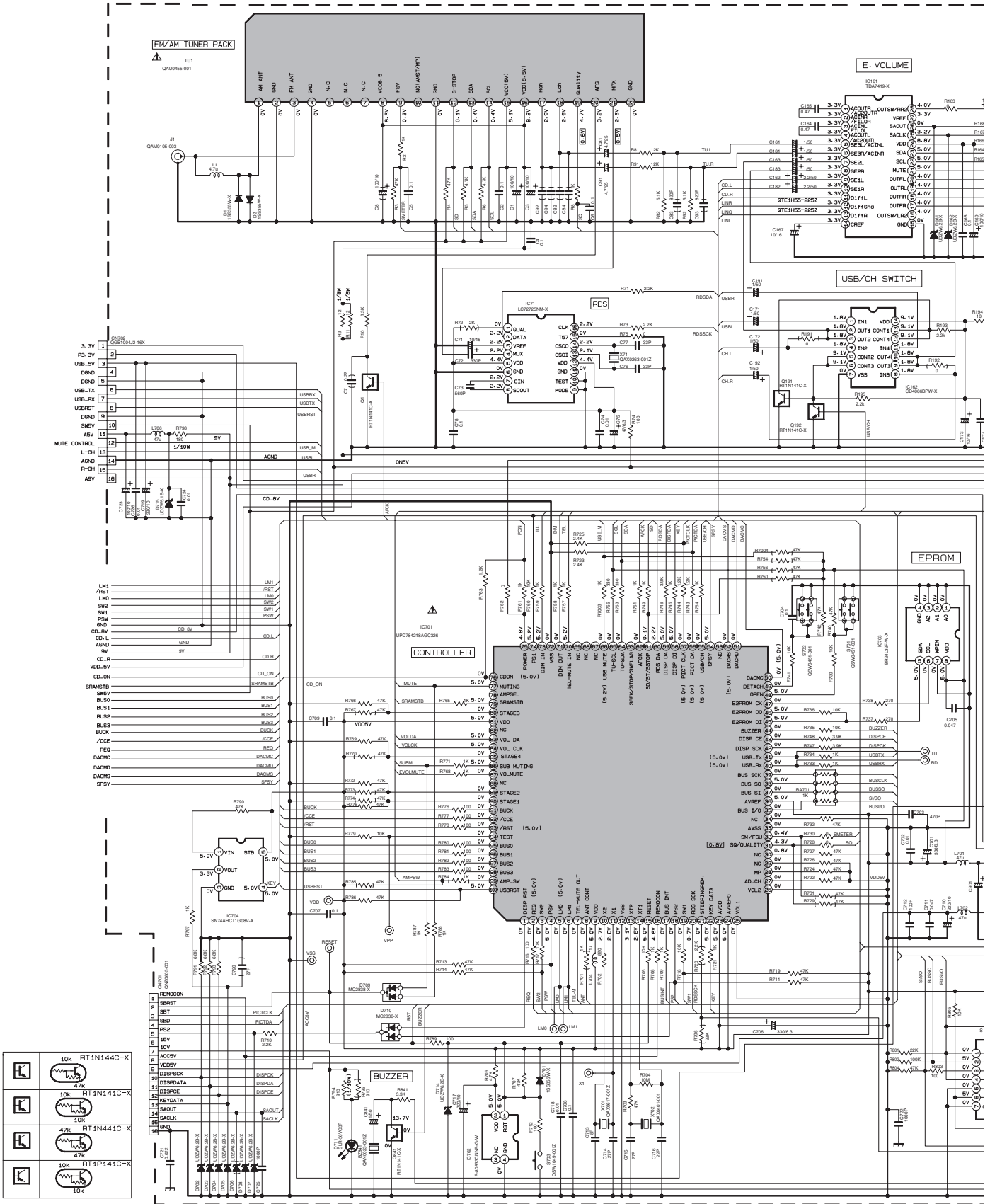


SW PWB:  
GEB10178A1

		RT1N141C-X
		RT1N441C-X
		RT1P141C-X

- NOTES**
- VOLTAGES ARE DC-MEASURED WITH A DIGITAL VOLT METER WITHOUT INPUT SIGNAL.  
CONDITION - CD MODE.
  - UNLESS OTHERWISE SPECIFIED.  
ALL RESISTORS ARE 1/10W OR 1/16W OR 1/10W±5% METAL GLAZE RESISTOR.  
ALL CAPACITORS ARE 50V OR 25V OR 16V CERAMIC CAPACITOR OR 50V MYLAR CAPACITOR.  
ALL RESISTANCE VALUES ARE IN OHM(Ω).  
ALL CAPACITANCE VALUES ARE IN μF(PpF).  
ALL E-CAPACITORS ARE SHOWN IN THE FORM OF CAPACITANCE(μF)/RATED VOLTAGE (V).

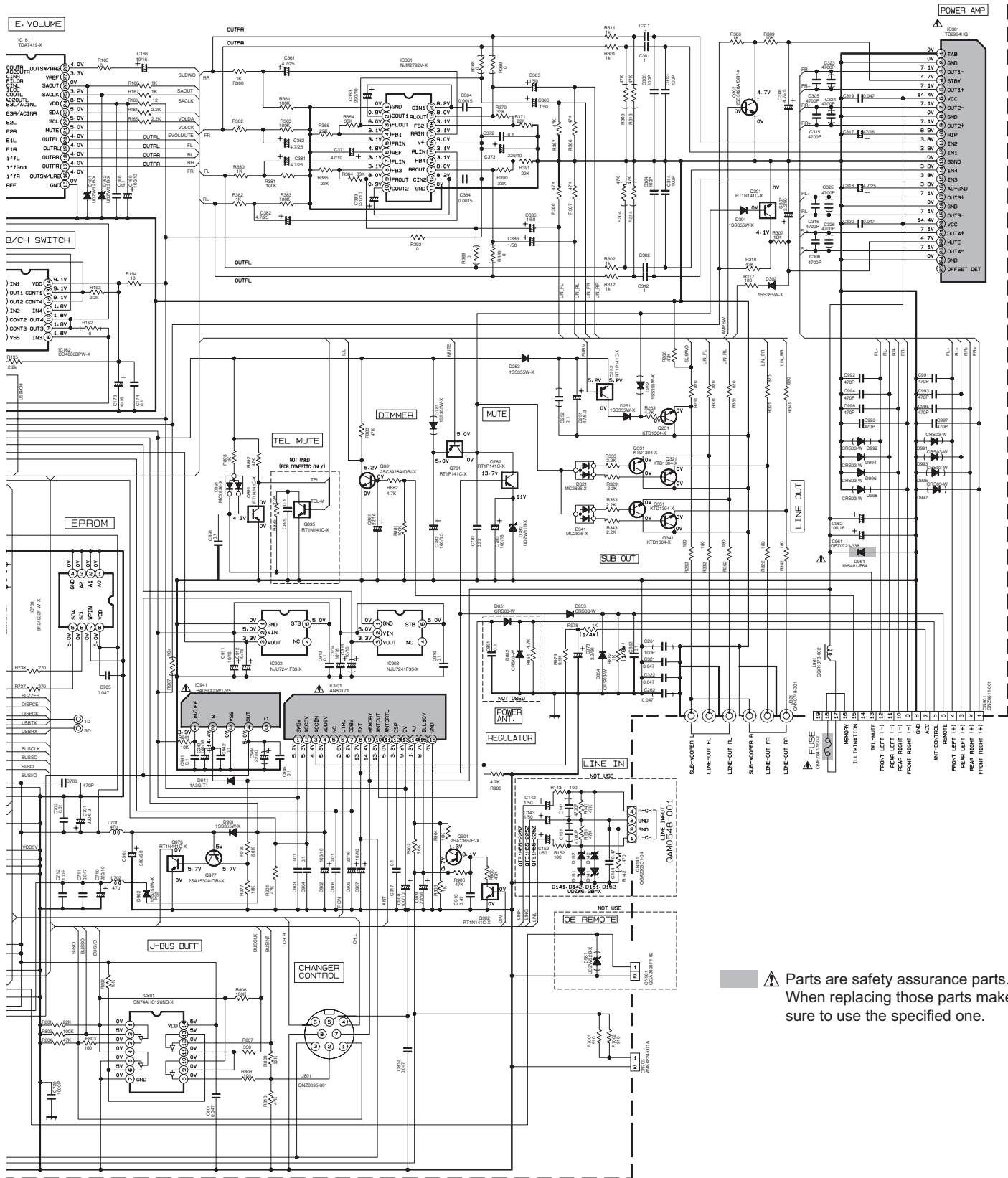
# Main section (for KD-G827)



NOTES: 1. VOLTAGES  
CONDIT  
2. UNLESS  
ALL RE  
ALL CA  
ALL E  
WF - 1

3. COMMON





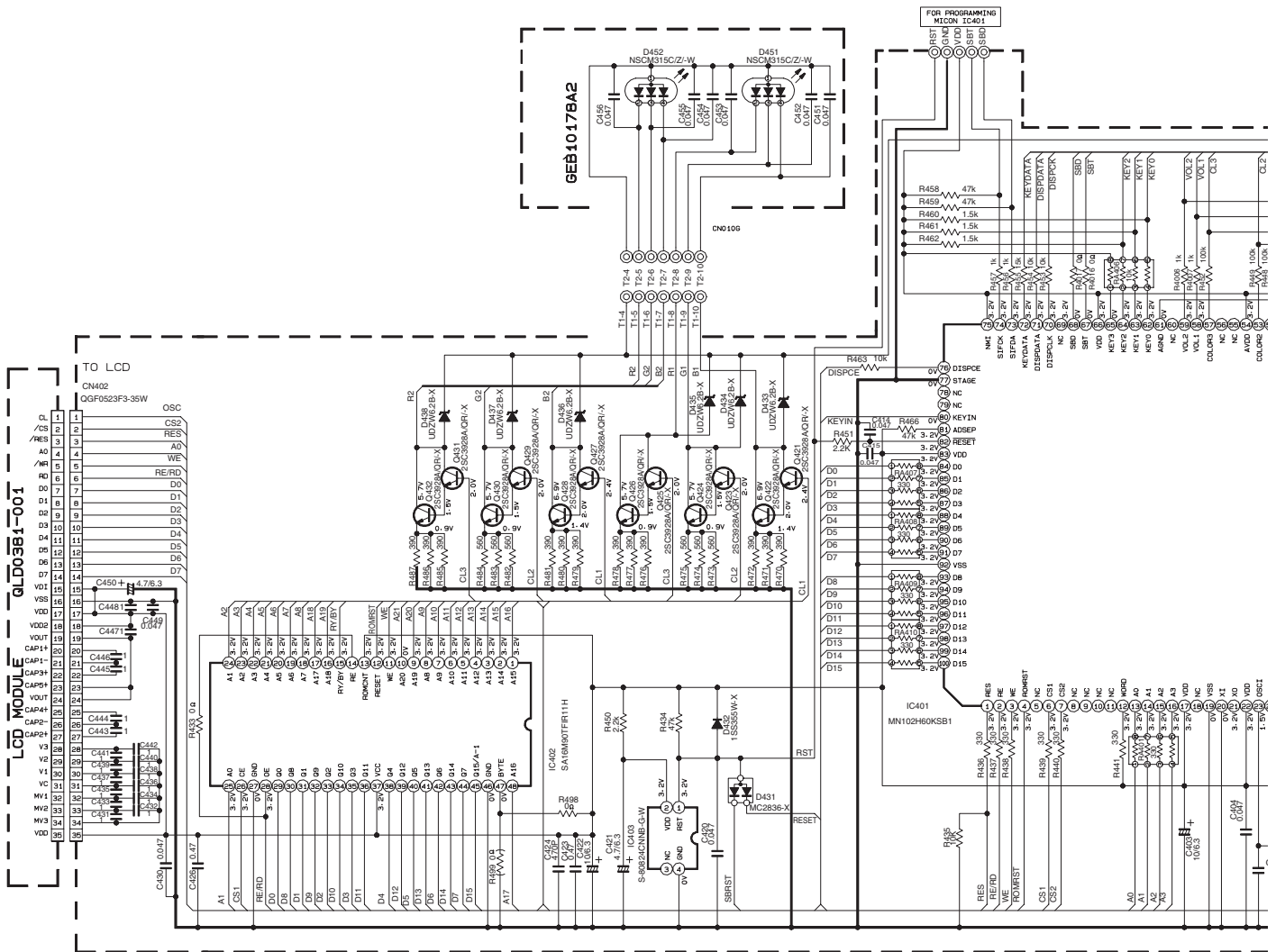
NOTES 1. VOLTAGES ARE DC-MEASURED WITH A DIGITAL VOLT METER WITHOUT INPUT SIGNAL.  
 CONDITION—FM MODE. □ AM MODE. ( ) USB.  
 2. UNLESS OTHERWISE SPECIFIED:  
 ALL RESISTORS ARE 1/8Watts METAL GLAZE RESISTOR.  
 ALL CAPACITORS ARE 50V OR 50V CERAMIC CAPACITOR.  
 ALL RESISTANCE VALUES ARE IN OHMS.  
 ALL CAPACITANCE VALUES ARE IN µF (P=POLY)  
 ALL E-CAPACITORS ARE SHOWN IN THE FORM OF CAPACITANCE(V)/RATED VOLTAGE(V)  
 MF = METALLIZED FILM CAPACITOR  
 3. COMPONENTS IN ( ) INDICATE NOT USE.

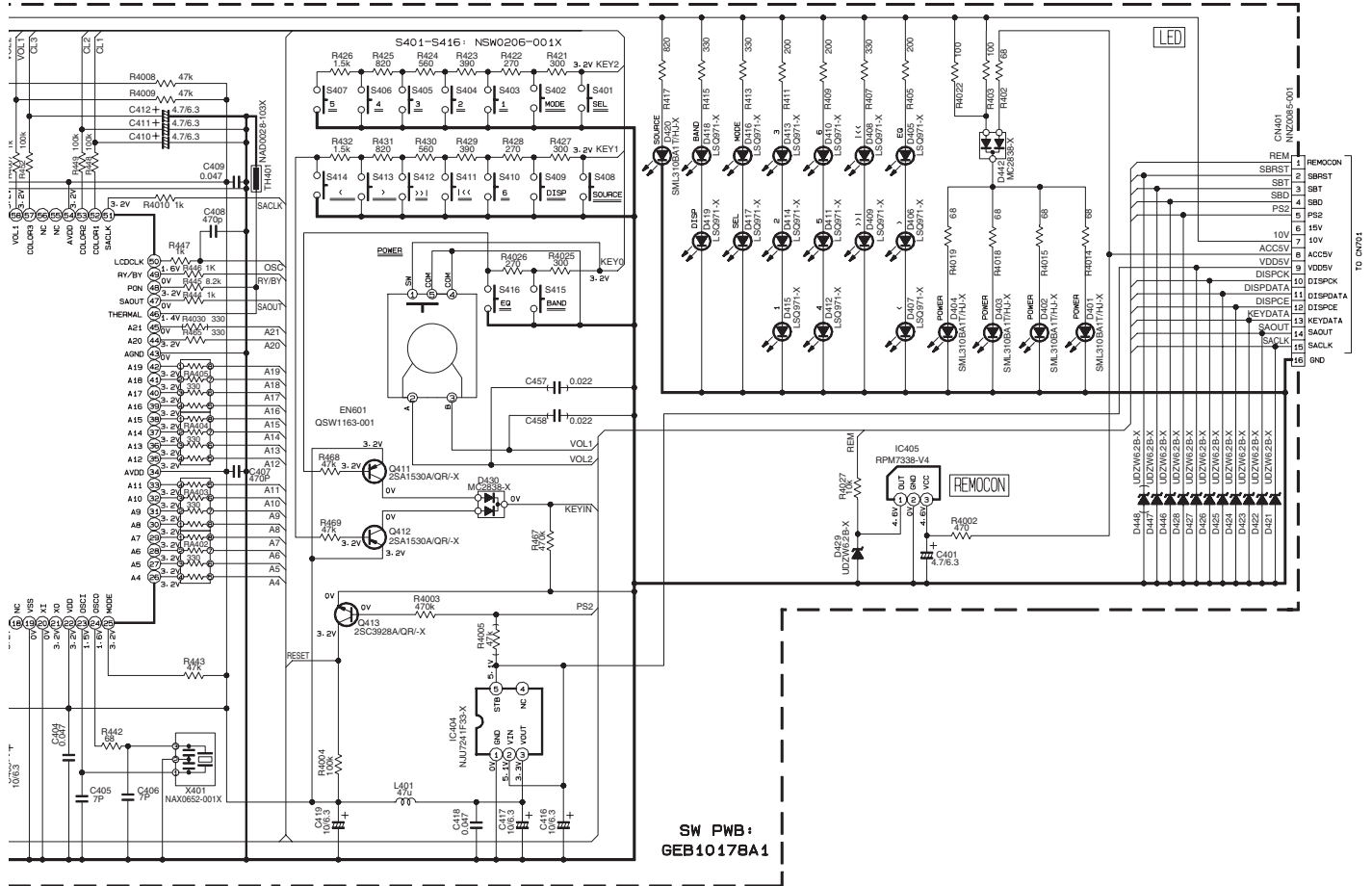
MAIN PWB:GEB10170A

⚠ Parts are safety assurance parts.  
 When replacing those parts make  
 sure to use the specified one.



# ■ LCD & Key control section (for KD-G827)





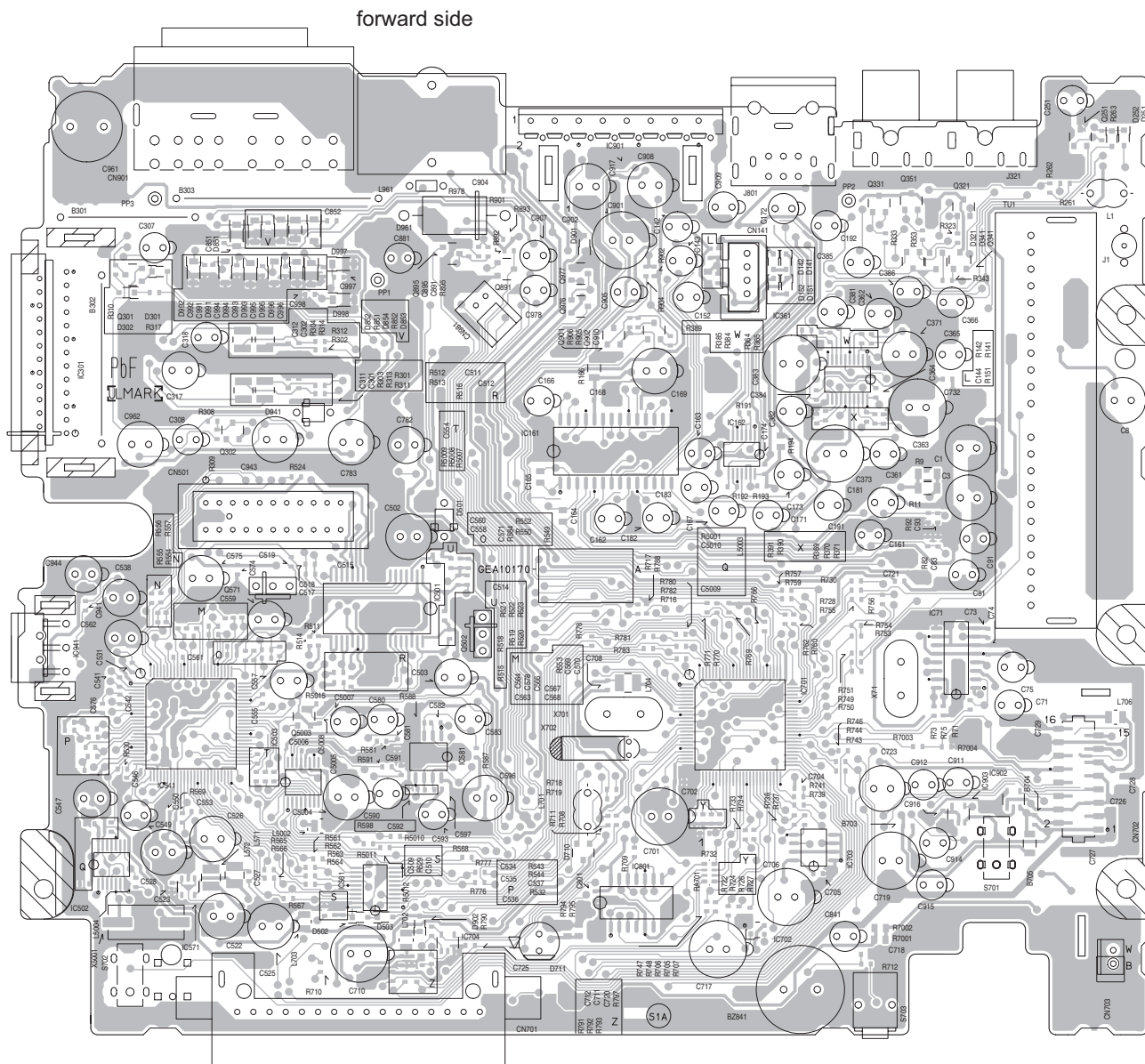
	10k 	RT1N141C-X
	47k 	RT1N441C-X
	10k 	RT1P141C-X

**NOTES**

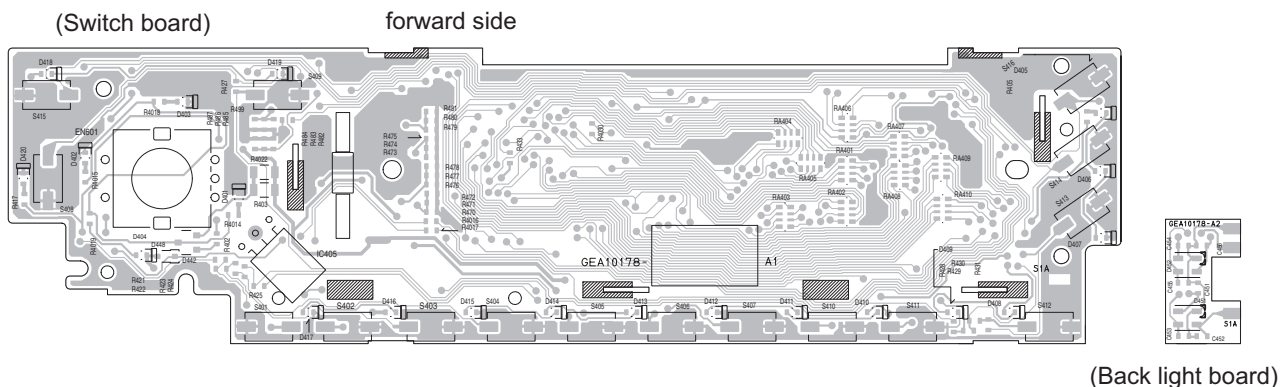
- VOLTAGES ARE DC-MEASURED WITH A DIGITAL VOLT METER WITHOUT INPUT SIGNAL. CONDITION --- CD MODE.
- UNLESS OTHERWISE SPECIFIED.
  - ALL RESISTORS ARE 1/10W OR 1/16W OR 1/10W±5% METAL GLAZE RESISTOR.
  - ALL CAPACITORS ARE 50V OR 25V OR 16V CERAMIC CAPACITOR OR 50V MYLAR CAPACITOR.
  - ALL RESISTANCE VALUES ARE IN OHM(Ω).
  - ALL CAPACITANCE VALUES ARE IN μF(PpF).
  - ALL E-CAPACITORS ARE SHOWN IN THE FORM OF CAPACITANCE(μF)/RATED VOLTAGE (V).

# Printed circuit boards

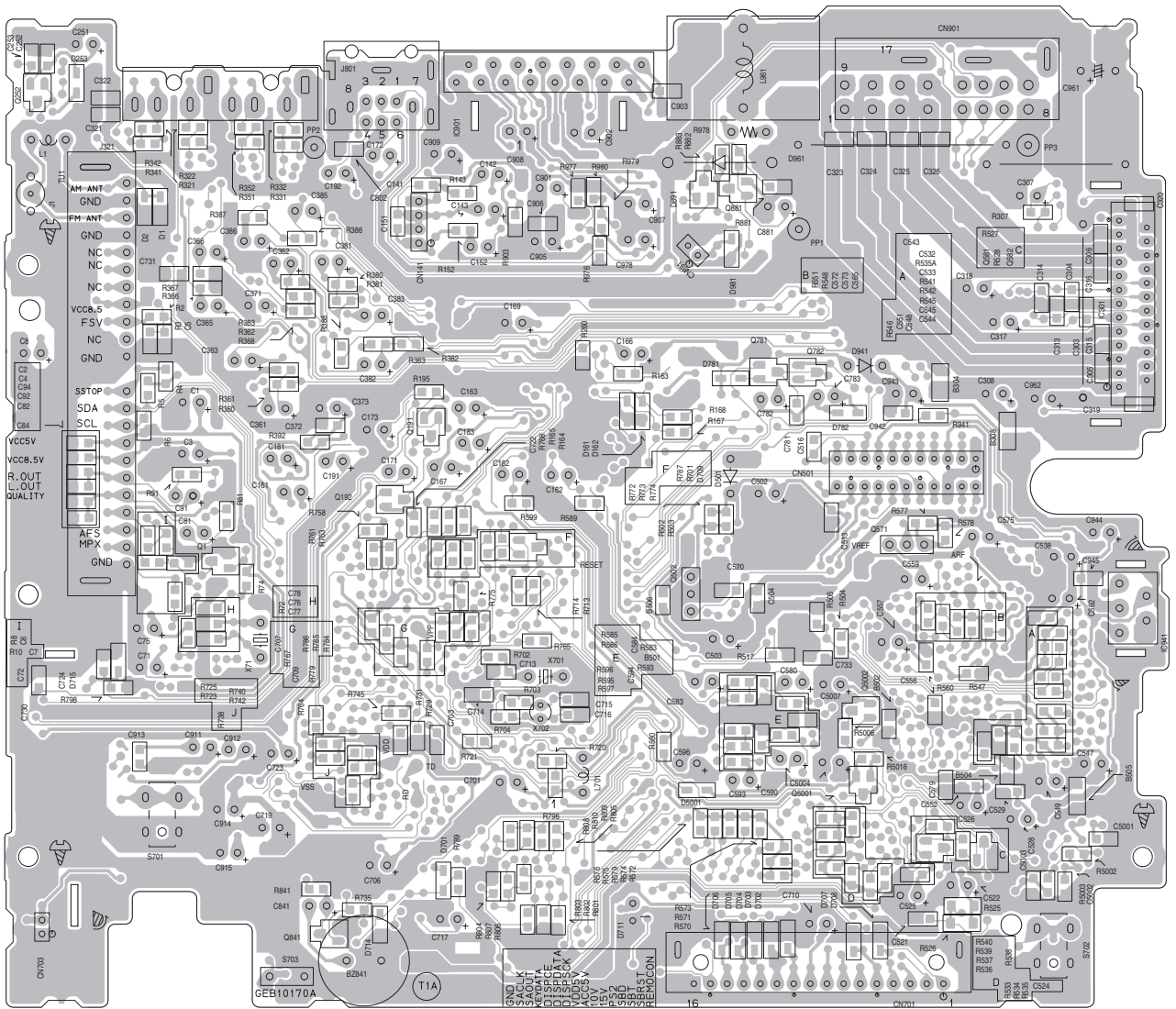
■ **Main board** Lead free solder used in the board (material : Sn-Ag-Cu, melting point : 219 Centigrade)



■ **Switch board** Lead free solder used in the board (material : Sn-Ag-Cu, melting point : 219 Centigrade)

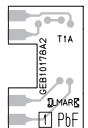
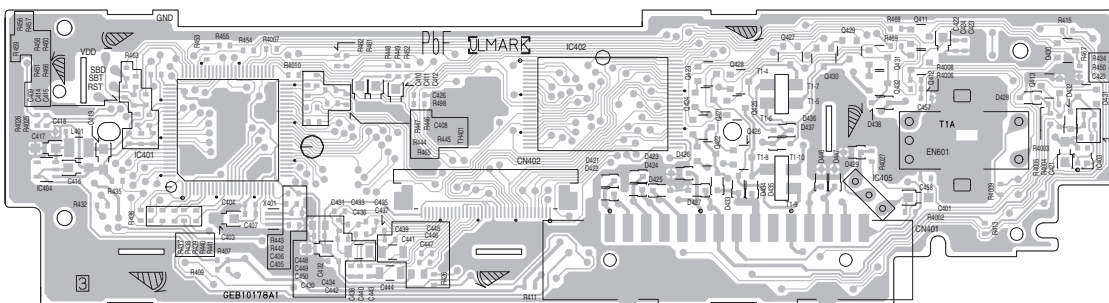


reverse side



(Switch board)

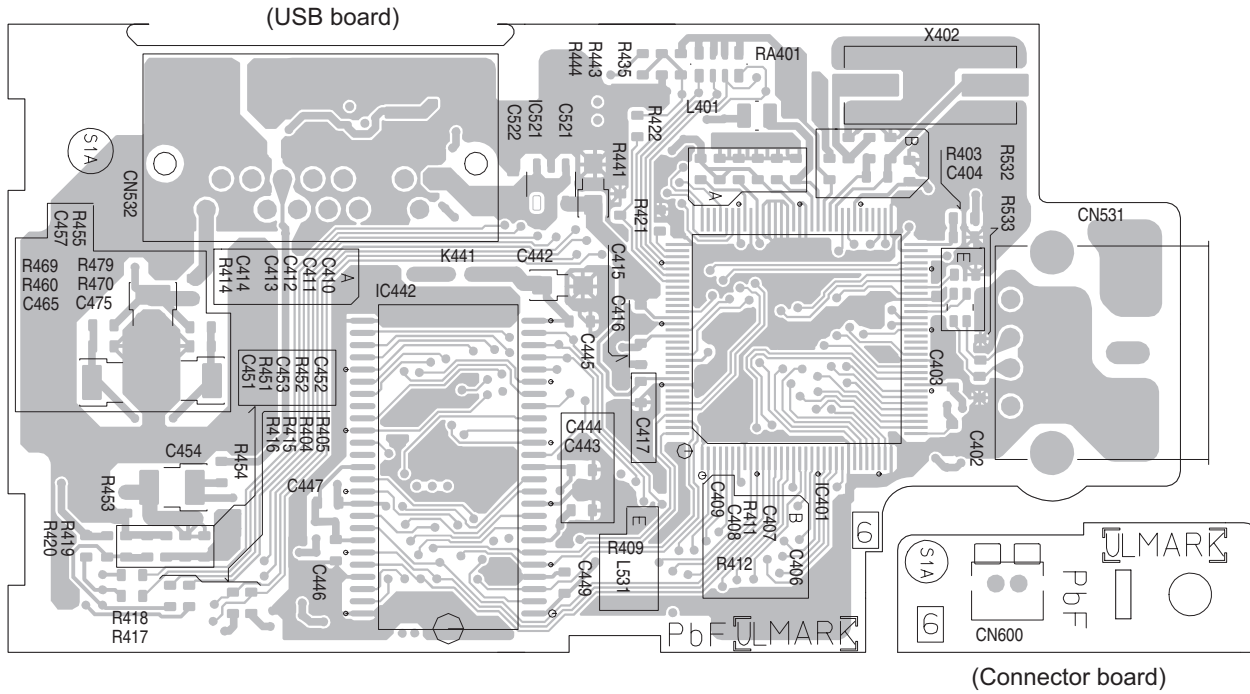
reverse side



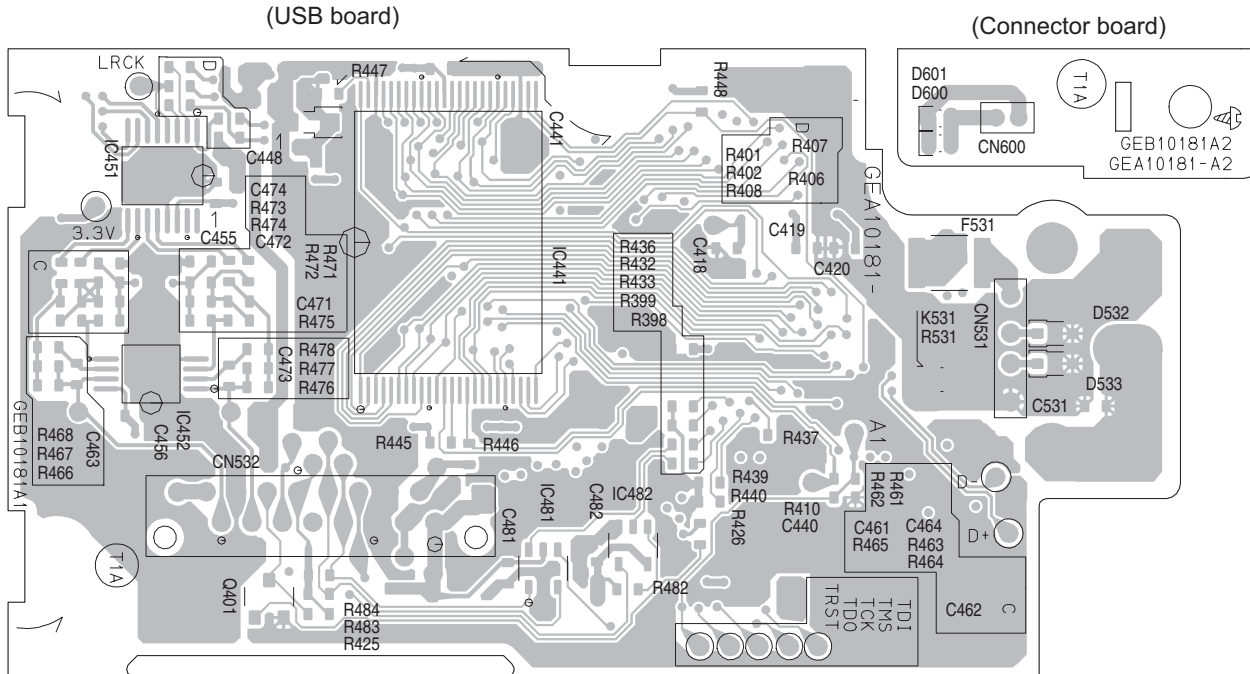
(Back light board)

**USB board** Lead free solder used in the board (material : Sn-Ag-Cu, melting point : 219 Centigrade)

forward side



reverse side



< MEMO >

**JVC**

**Victor Company of Japan, Limited**

Mobile Entertainment Business Group Mobile Entertainment Category 10-1, 1chome, Ohwatari-machi, Maebashi-city, Gumma-ken, 371-8543, Japan

(No.MA249SCH)



Printed in Japan  
VPT